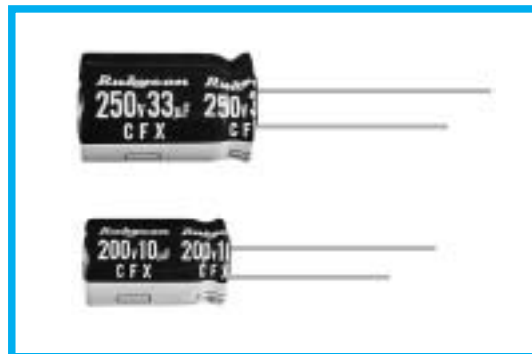


CFX SERIES
Load Life: 105°C 5000 Hours.
◆FEATURES

- High Ripple Current
- For Electronic Ballast, Power Supply
- RoHS compliance.


◆SPECIFICATIONS

Items	Characteristics											
Category Temperature Range	-25~+105°C											
Rated Voltage Range	200~400V.DC											
Capacitance Tolerance	±20% (20°C, 120Hz)											
Leakage Current(MAX)	<table border="1"> <thead> <tr> <th>CV ≤ 1000</th> <th>CV > 1000</th> </tr> </thead> <tbody> <tr> <td>I = 0.1CV + 40μA (1 minute)</td> <td>I = 0.04CV + 100μA (1 minute)</td> </tr> <tr> <td>I = 0.03CV + 15μA (5 minute)</td> <td>I = 0.02CV + 25μA (5 minute)</td> </tr> </tbody> </table>	CV ≤ 1000	CV > 1000	I = 0.1CV + 40μA (1 minute)	I = 0.04CV + 100μA (1 minute)	I = 0.03CV + 15μA (5 minute)	I = 0.02CV + 25μA (5 minute)	I = Leakage Current(μA) C = Rated Capacitance(μF) V = Rated Voltage(V)				
CV ≤ 1000	CV > 1000											
I = 0.1CV + 40μA (1 minute)	I = 0.04CV + 100μA (1 minute)											
I = 0.03CV + 15μA (5 minute)	I = 0.02CV + 25μA (5 minute)											
Dissipation Factor(MAX) (tan δ)	<table border="1"> <thead> <tr> <th>Rated Voltage (V)</th> <th>200</th> <th>250</th> <th>350</th> <th>400</th> </tr> </thead> <tbody> <tr> <td>tan δ</td> <td>0.15</td> <td>0.15</td> <td>0.20</td> <td>0.20</td> </tr> </tbody> </table> (20°C, 120Hz)		Rated Voltage (V)	200	250	350	400	tan δ	0.15	0.15	0.20	0.20
Rated Voltage (V)	200	250	350	400								
tan δ	0.15	0.15	0.20	0.20								
Endurance	After applying rated voltage with rated ripple current for 5000 hrs at 105°C, the capacitors shall meet the following requirements. <table border="1"> <tbody> <tr> <td>Capacitance Change</td> <td>Within ±20% of the initial value.</td> </tr> <tr> <td>Dissipation Factor</td> <td>Not more than 200% of the specified value.</td> </tr> <tr> <td>Leakage Current</td> <td>Not more than the specified value.</td> </tr> </tbody> </table>		Capacitance Change	Within ±20% of the initial value.	Dissipation Factor	Not more than 200% of the specified value.	Leakage Current	Not more than the specified value.				
Capacitance Change	Within ±20% of the initial value.											
Dissipation Factor	Not more than 200% of the specified value.											
Leakage Current	Not more than the specified value.											
Low Temperature Stability Impedance Ratio(MAX)	<table border="1"> <thead> <tr> <th>Rated Voltage (V)</th> <th>200</th> <th>250</th> <th>350</th> <th>400</th> </tr> </thead> <tbody> <tr> <td>Z(-25°C)/Z(20°C)</td> <td>3</td> <td>3</td> <td>6</td> <td>6</td> </tr> </tbody> </table> (120Hz)		Rated Voltage (V)	200	250	350	400	Z(-25°C)/Z(20°C)	3	3	6	6
Rated Voltage (V)	200	250	350	400								
Z(-25°C)/Z(20°C)	3	3	6	6								

◆MULTIPLIER FOR RIPPLE CURRENT

Frequency coefficient

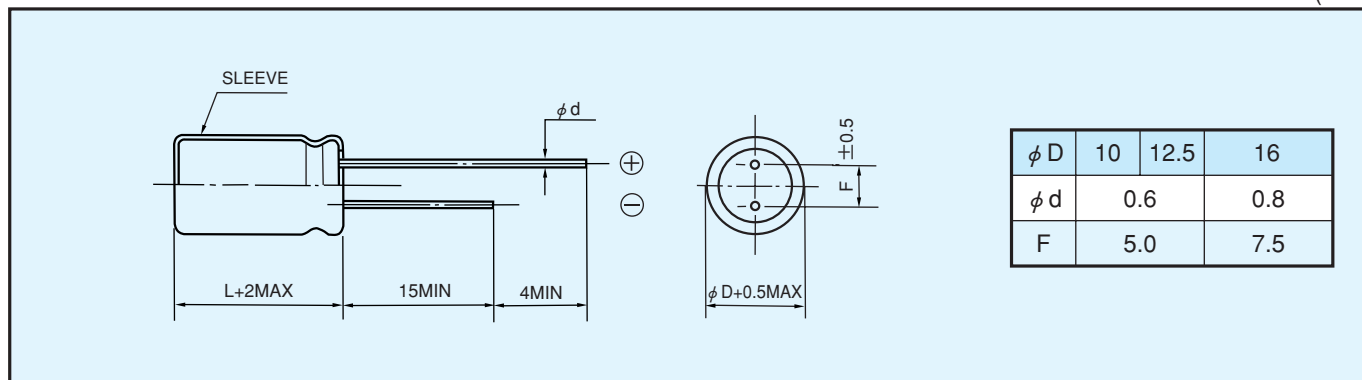
Frequency (Hz)	120	1k	10k	≥100k
2.2~4.7 μF	0.2	0.4	0.8	1.0
6.8~10 μF	0.3	0.6	0.9	1.0
22~100 μF	0.5	0.8	0.9	1.0

◆PART NUMBER

□□□	CFX	□□□□□	□	□□□	□□	D×L
Rated Voltage	Series	Rated Capacitance	Capacitance Tolerance	Option	Lead Forming	Case Size

◆ DIMENSIONS

(mm)



◆ STANDARD SIZE, RATED RIPPLE CURRENT

Size $\phi D \times L$ (mm), Ripple Current (mA r.m.s./105°C, 100kHz)

WV (V.DC) Cap (μF)	200V (2D)		250V (2E)	
	Size	Ripple	Size	Ripple
10	10×16	300	10×16	300
22	10×16	360	10×20	500
33	10×20	500	12.5×20	600
47	12.5×20	660	12.5×25	720
68	12.5×25	760	16×25	920
100	16×25	1120		

WV (V.DC) Cap (μF)	350V (2V)		400V (2G)	
	Size	Ripple	Size	Ripple
2.2			10×16	160
3.3	10×16	180	10×16	180
4.7	10×16	220	10×16	220
6.8	10×16	220	10×16	220
10	10×20	280	10×20	280
22	12.5×20	350	12.5×25	430
33	12.5×25	430	16×25	640
47	16×25	660		