



Directional Couplers

Mini, Octave Bandwidth

V 3.00

2020 Series

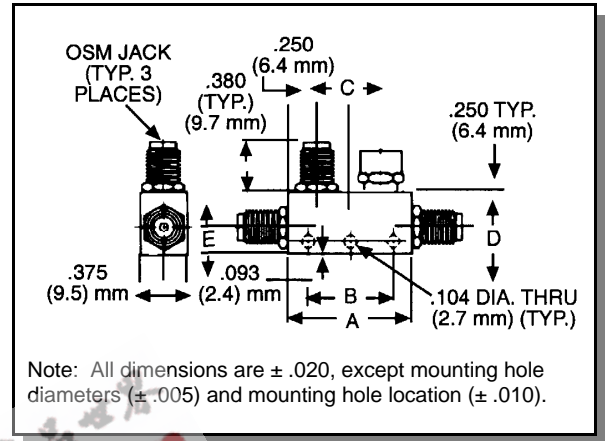
Features

- Smallest and Lightest Couplers Available
- 0.5 through 18 GHz, including Wideband Units
- High Directivity - Low VSWR
- Meets MIL-E-5400 Environments

Description

These miniature couplers are designed to provide sampling of the RF Power propagating in one direction on a transmission line.

OUTLINE DRAWING



Mechanical Specifications

Case Style	A Inch (mm)	B Inch (mm)	C Inch (mm)	D Inch (mm)	E Inch (mm)	Weight	
						oz.	g
1	1.00 (25.4)	N/A	0.50 (12.7)	0.55 (13.9)	0.22 (5.6)	0.62	17.6
2	1.00 (25.4)	N/A	0.50 (12.7)	0.50 (12.7)	0.22 (5.6)	0.60	17.0
3	1.16 (29.4)	0.34 (8.7)	0.66 (16.7)	0.50 (12.7)	0.22 (5.6)	0.64	18.2
4	1.16 (29.4)	0.34 (8.7)	0.66 (16.7)	0.55 (13.9)	0.22 (5.6)	0.67	19.0
5	1.78 (45.2)	0.94 (23.8)	1.28 (32.5)	0.50 (12.7)	0.22 (5.6)	0.82	23.2
6	1.78 (45.2)	0.94 (23.8)	1.28 (32.5)	0.55 (13.9)	0.22 (5.6)	0.87	23.3
7*	3.00 (76.2)	1.00 (25.4)	2.50 (64.5)	0.75 (19.1)	0.31 (7.9)	1.50	43.0
8	1.00 (25.4)	N/A	0.50 (12.7)	0.63 (15.9)	0.22 (5.6)	0.67	19.0

* Case Style 7 has four mounting holes located symmetrically to the two shown dotted in figure.

Specifications

Part Number	Case Style	Freq. Range (GHz)	Coupling (Include. Freq. Sens. (dB))	Freq. Sens. (dB)	Insertion Loss Max (dB)	Direct. Min. (dB)	VSWR Max		Power (Input)			MIL Dash No.	M/A-COM MIL-C-15370/9 P/N ²
							Prim Line	Sec Line	Avg. In. (W)	Avg. Refl. (W)	Pk. (kW)		
2020-6600-06	7	0.5-1.0	6 ± 1.0	± 0.60	0.15	25	1.10	1.10	50	4	4	—	—
2020-6601-10	7		10 ± 1.0	± 0.75	0.15	25	1.10	1.10	50	10	4	—	—
2020-6602-20	7		20 ± 1.0	± 0.75	0.15	25	1.10	1.10	50	50	4	—	—
2020-6603-30	7		30 ± 1.0	± 0.75	0.15	25	1.10	1.10	50	50	4	—	—
2020-6604-06	5	1.0-2.0	6 ± 1.0	± 0.60	0.20	25	1.15	1.15	50	4	4	-100	2020-4015-06
2020-6605-10	5		10 ± 1.0	± 0.75	0.20	25	1.15	1.15	50	10	4	-200	2020-4015-10
2020-6606-20	5		20 ± 1.0	± 0.75	0.20	25	1.15	1.15	50	50	4	-300	2020-4015-20
2020-6607-30	6		30 ± 1.0	± 0.75	0.20	25	1.15	1.15	50	50	4	-400	2020-4015-30
2020-6608-06	3	2.0-4.0	6 ± 1.0	± 0.60	0.20	22	1.15	1.15	50	4	4	-500	2020-4016-06
2020-6609-10	3		10 ± 1.0	± 0.75	0.20	22	1.15	1.15	50	10	4	-600	2020-4016-10
2020-6610-20	3		20 ± 1.0	± 0.75	0.20	22	1.15	1.15	50	50	4	-700	2020-4016-20
2020-6611-30	4		30 ± 1.0	± 0.75	0.20	22	1.15	1.15	50	50	4	-800	2020-4016-30
2020-6612-06	2	2.6-5.2	6 ± 1.0	± 0.60	0.25	20	1.25	1.25	50	4	4	—	—
2020-6613-10	2		10 ± 1.0	± 0.75	0.25	20	1.25	1.25	50	10	4	—	—
2020-6614-20	2		20 ± 1.0	± 0.75	0.25	20	1.25	1.25	50	50	4	—	—
2020-6615-30	1		30 ± 1.0	± 0.75	0.25	20	1.25	1.25	50	50	4	—	—
2020-6616-06	2	4.0-8.0	6 ± 0.75	± 0.50	0.25	22	1.25	1.25	50	4	4	-900	2020-4017-06
2020-6617-10	2		10 ± 0.75	± 0.50	0.25	20	1.25	1.25	50	10	4	-100	2020-4017-10
2020-6618-20	2		20 ± 0.75	± 0.50	0.25	20	1.25	1.25	50	50	4	-110	2020-4017-20
2020-6619-30	1		30 ± 0.75	± 0.50	0.25	20	1.25	1.25	50	50	4	—	—
2020-6620-06	2	7.0-12.4	6 ± 1.0	± 0.50	0.40	15	1.35	1.35	50	4	4	-120	2020-4018-06
2020-6621-10	1		10 ± 0.75	± 0.40	0.40	20	1.30	1.35	50	10	4	-130	2020-4018-10
2020-6622-20	1		20 ± 0.75	± 0.50	0.30	18	1.25	1.25	50	50	4	-140	2020-4018-20
2020-6623-30	1		30 ± 1.0	± 0.50	0.30	17	1.35	1.35	50	50	4	-180	2020-4018-30
2020-6624-06	2	7.0-18.0	6 ± 1.0	± 0.50	0.60	15	1.35	1.35	50	4	3	—	—
2020-6625-10	1		10 ± 1.0	± 0.50	0.40	20	1.30	1.40	50	10	3	—	—
2020-6626-20	1		20 ± 1.0	± 0.75	0.50	15 ¹	1.45	1.45	50	50	3	—	—
2020-6627-30	8		30 ± 1.0	± 0.75	0.50	15 ¹	1.45	1.45	50	50	3	—	—
2020-6628-06	2	12.4-18.0	6 ± 0.75	± 0.40	0.60	15	1.40	1.40	50	4	2	—	—
2020-6629-10	1		10 ± 0.75	± 0.40	0.40	20	1.30	1.40	50	10	2	—	—
2020-6630-20	1		20 ± 0.75	± 0.50	0.50	15	1.45	1.45	50	50	2	-17	2020-4114-20
2020-6631-30	8		30 ± 0.75	± 0.50	0.50	12	1.45	1.45	50	50	2	—	—

1. 12 dB from 12.4 to 18.0 GHz.
2. MIL spec parts are offered after a First Article test is performed and approved per procedure GFA0067 in accordance with MIL-C-15370 Rev G. Consult Field Sales for pricing.

Specifications subject to change without notice.

- North America: Tel. (800) 366-2266
- Asia/Pacific: Tel.+81-44-844-8296, Fax +81-44-844-8298
- Europe: Tel. +44 (1344) 869 595, Fax+44 (1344) 300 020

Visit www.macom.com for additional data sheets and product information.

