



Frontier Electronics Corp.

667 E. COCHRAN STREET, SIMI VALLEY, CA 93065

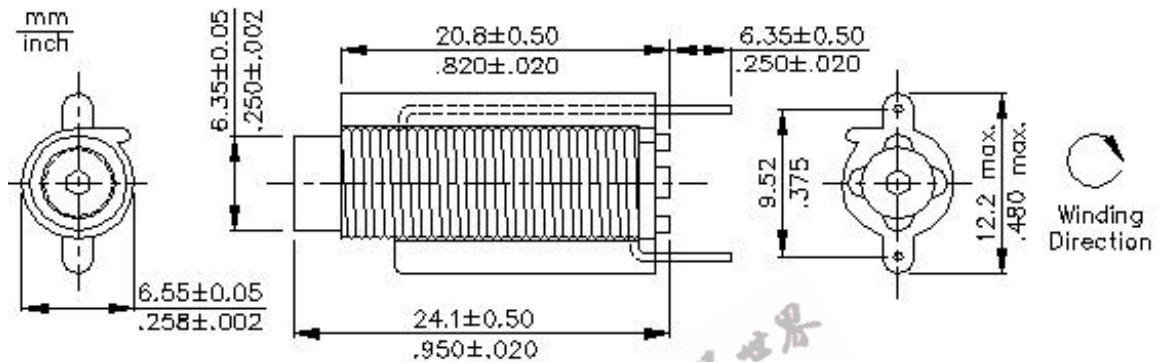
TEL: (805) 522-9998 FAX: (805) 522-9989

E-mail: frontiersales@frontierusa.com

Web: frontierusa.com

Insert Molded Coil—2101 series

A. Mechanical Drawing:



B. Electrical Specification:

| Part No. | Turns | L min. | L nom. | L max. | Q min @ L nom. | Color |
|----------|-------|--------|--------|--------|----------------|--------|
| 2101-01 | 1.5 | 0.045 | 0.046 | 0.048 | 110 | Brown |
| 2101-02 | 2.5 | 0.073 | 0.081 | 0.090 | 136 | Red |
| 2101-03 | 3.5 | 0.106 | 0.124 | 0.144 | 145 | Orange |
| 2101-04 | 4.5 | 0.139 | 0.168 | 0.204 | 120 | Yellow |
| 2101-05 | 5.5 | 0.180 | 0.224 | 0.278 | 125 | Green |
| 2101-06 | 6.5 | 0.221 | 0.282 | 0.361 | 126 | Blue |
| 2101-07 | 7.5 | 0.263 | 0.339 | 0.437 | 126 | Violet |
| 2101-08 | 8.5 | 0.311 | 0.406 | 0.531 | 130 | Gray |
| 2101-09 | 9.5 | 0.355 | 0.468 | 0.617 | 130 | White |
| 2101-10 | 10.5 | 0.410 | 0.538 | 0.707 | 135 | Black |
| 2101-11 | 11.5 | 0.452 | 0.590 | 0.769 | 140 | Brown |
| 2101-12 | 12.5 | 0.495 | 0.651 | 0.855 | 140 | Red |
| 2101-13 | 13.5 | 0.547 | 0.717 | 0.940 | 145 | Orange |
| 2101-14 | 14.5 | 0.589 | 0.770 | 1.007 | 146 | Yellow |
| 2101-15 | 15.5 | 0.651 | 0.831 | 1.061 | 150 | Green |
| 2101-16 | 16.5 | 0.683 | 0.866 | 1.099 | 150 | Blue |
| 2101-17 | 17.5 | 0.735 | 0.923 | 1.159 | 150 | Violet |
| 2101-18 | 18.5 | 0.788 | 0.992 | 1.249 | 150 | Gray |
| 2101-19 | 19.5 | 0.819 | 1.021 | 1.272 | 95 | White |
| 2101-20 | 20.5 | 0.887 | 1.101 | 1.367 | 95 | Black |
| 2101-21 | 21.5 | 0.945 | 1.106 | 1.425 | 98 | Brown |
| 2101-22 | 22.5 | 0.996 | 1.207 | 1.463 | 98 | Red |
| 2101-23 | 23.5 | 1.050 | 1.271 | 1.539 | 100 | Orange |

C. Features:

1. Plastic molded.
2. High reliability.
3. Low cost.

D. Measurement:

1. Q and L measured with leads connected directly.
2. L min. measured with core halfway out of the top of the form.
3. Inductance greater than 0.1uH read at recommended Q meter frequency.
4. Inductance below 0.1uH calculated from readings taken at 50MHz.

E. Test equipment: Q meter (HP 4342A)