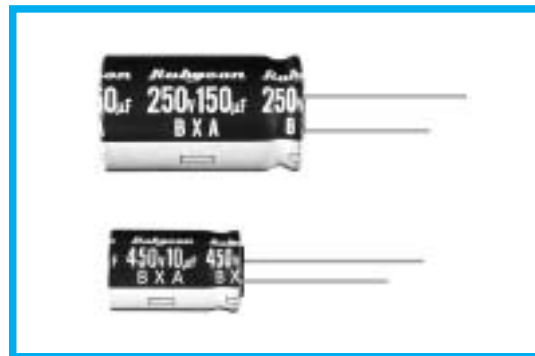


BXA SERIES
Load Life:105°C 12000 Hours.(ϕ 10:10000 Hours)
◆FEATURES

- High Ripple Current
- For Electronic Ballast, Power Supply
- RoHS compliance.


◆SPECIFICATIONS

| Items | Characteristics | | | | | | | | | | | | | | |
|--|--|--------------------|-----------------------------------|----------|-----------------|--------------------|--|--------|------------------|-----------------|------------------------------------|----------|-------|------|------|
| Category Temperature Range | -25~+105°C | | | | | | | | | | | | | | |
| Rated Voltage Range | 160~450V.DC | | | | | | | | | | | | | | |
| Capacitance Tolerance | ±20% (20°C, 120Hz) | | | | | | | | | | | | | | |
| Leakage Current(MAX) | $I=0.04CV+100 \mu A$ (After 1 minute application of rated voltage) $I=0.02CV+25 \mu A$ (After 5 minutes application of rated voltage) $I=$ Leakage Current(μA) $C=$ Rated Capacitance(μF) $V=$ Rated Voltage(V) | | | | | | | | | | | | | | |
| Dissipation Factor(MAX) (tan δ) | <table border="1"> <thead> <tr> <th>Rated Voltage (V)</th> <th>160</th> <th>200</th> <th>250</th> <th>350</th> <th>400</th> <th>450</th> </tr> </thead> <tbody> <tr> <td>tan δ</td> <td>0.15</td> <td>0.15</td> <td>0.15</td> <td>0.20</td> <td>0.20</td> <td>0.20</td> </tr> </tbody> </table> (20°C, 120Hz) | Rated Voltage (V) | 160 | 200 | 250 | 350 | 400 | 450 | tan δ | 0.15 | 0.15 | 0.15 | 0.20 | 0.20 | 0.20 |
| Rated Voltage (V) | 160 | 200 | 250 | 350 | 400 | 450 | | | | | | | | | |
| tan δ | 0.15 | 0.15 | 0.15 | 0.20 | 0.20 | 0.20 | | | | | | | | | |
| Endurance | After life test with rated ripple current at conditions stated in the table below, the capacitors shall meet the following requirements. <table border="1"> <thead> <tr> <th>Capacitance Change</th> <th>Within ±20% of the initial value.</th> <th>Case Dia</th> <th>Life Time (hrs)</th> </tr> </thead> <tbody> <tr> <td>Dissipation Factor</td> <td>Not more than 200% of the specified value.</td> <td>ϕ D=10</td> <td>10000</td> </tr> <tr> <td>Leakage Current</td> <td>Not more than the specified value.</td> <td>ϕ D≥12.5</td> <td>12000</td> </tr> </tbody> </table> | Capacitance Change | Within ±20% of the initial value. | Case Dia | Life Time (hrs) | Dissipation Factor | Not more than 200% of the specified value. | ϕ D=10 | 10000 | Leakage Current | Not more than the specified value. | ϕ D≥12.5 | 12000 | | |
| Capacitance Change | Within ±20% of the initial value. | Case Dia | Life Time (hrs) | | | | | | | | | | | | |
| Dissipation Factor | Not more than 200% of the specified value. | ϕ D=10 | 10000 | | | | | | | | | | | | |
| Leakage Current | Not more than the specified value. | ϕ D≥12.5 | 12000 | | | | | | | | | | | | |
| Low Temperature Stability Impedance Ratio(MAX) | <table border="1"> <thead> <tr> <th>Rated Voltage (V)</th> <th>160</th> <th>200</th> <th>250</th> <th>350</th> <th>400</th> <th>450</th> </tr> </thead> <tbody> <tr> <td>Z(-25°C)/Z(20°C)</td> <td>3</td> <td>3</td> <td>3</td> <td>6</td> <td>6</td> <td>6</td> </tr> </tbody> </table> (120Hz) | Rated Voltage (V) | 160 | 200 | 250 | 350 | 400 | 450 | Z(-25°C)/Z(20°C) | 3 | 3 | 3 | 6 | 6 | 6 |
| Rated Voltage (V) | 160 | 200 | 250 | 350 | 400 | 450 | | | | | | | | | |
| Z(-25°C)/Z(20°C) | 3 | 3 | 3 | 6 | 6 | 6 | | | | | | | | | |

◆MULTIPLIER FOR RIPPLE CURRENT

Frequency coefficient

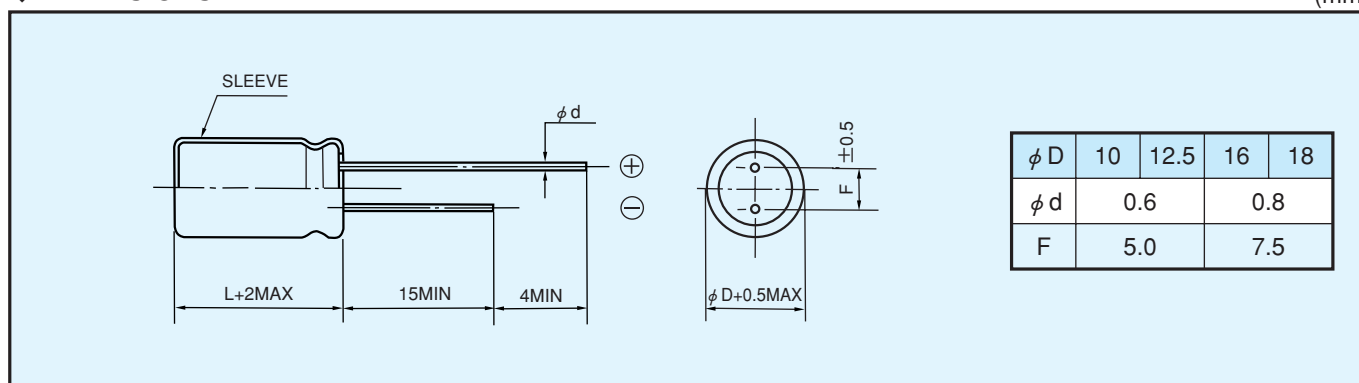
| Frequency (Hz) | 120 | 1k | 10k | 100k≦ |
|----------------|------|------|------|-------|
| Coefficient | 0.50 | 0.80 | 0.90 | 1.00 |

◆PART NUMBER

| | | | | | | |
|---------------|--------|-------------------|-----------------------|--------|--------------|-----------|
| □□□ | BXA | □□□□□ | □ | □□□ | □□ | D×L |
| Rated Voltage | Series | Rated Capacitance | Capacitance Tolerance | Option | Lead Forming | Case Size |

◆ DIMENSIONS

(mm)


◆ STANDARD SIZE, RATED RIPPLE CURRENT

 Size $\phi D \times L$ (mm), Ripple Current (mA r.m.s./105°C, 100kHz)

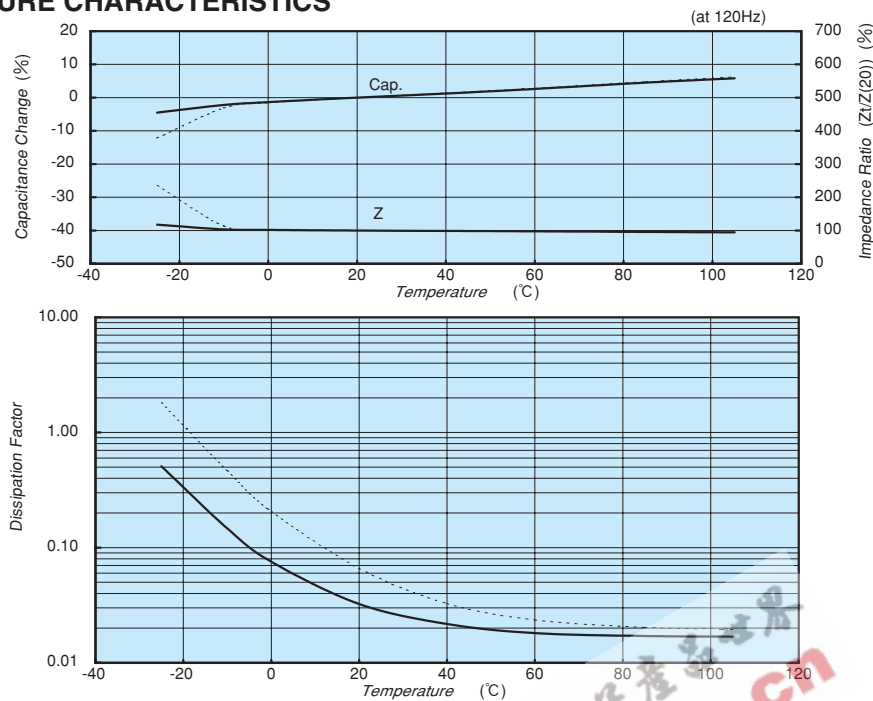
| WV (V.DC) Cap (μF) | 160V (2C) | | 200V (2D) | | 250V (2E) | |
|------------------------------|------------------|--------|------------------|--------|------------------|--------|
| | Size | Ripple | Size | Ripple | Size | Ripple |
| 10 | 10×16 | 250 | 10×16 | 250 | 10×20 | 280 |
| 22 | 10×20 | 500 | 10×20 | 500 | 12.5×20 | 600 |
| 33 | 10×20 | 500 | 12.5×20 | 600 | 12.5×20 | 600 |
| 47 | 12.5×20 | 660 | 12.5×20 | 660 | 12.5×25 16×20 | 720 |
| 68 | 12.5×25 16×20 | 760 | 12.5×25 16×20 | 760 | 16×25 18×20 | 920 |
| 100 | 16×25 18×20 | 1120 | 16×25 18×20 | 1120 | 16×31.5 18×25 | 1200 |
| 150 | 16×31.5 18×25 | 1360 | 16×31.5 18×25 | 1360 | 18×31.5 | 1500 |
| 220 | 16×31.5 18×25 | 1400 | 18×31.5 | 1700 | | |

| WV (V.DC) Cap (μF) | 350V (2V) | | 400V (2G) | | 450V (2W) | |
|------------------------------|------------------|--------|------------------|--------|------------------|--------|
| | Size | Ripple | Size | Ripple | Size | Ripple |
| 6.8 | 10×16 | 220 | 10×16 | 220 | 10×20 | 150 |
| 10 | 10×20 | 280 | 10×20 | 280 | 12.5×20 | 320 |
| 22 | 12.5×20 | 350 | 12.5×25 16×20 | 430 | 16×25 18×20 | 560 |
| 33 | 16×20 | 500 | 16×25 18×20 | 640 | 16×31.5 18×25 | 700 |
| 47 | 16×25 18×20 | 660 | 16×31.5 18×25 | 840 | 18×31.5 | 880 |
| 68 | 16×31.5 18×25 | 850 | 18×31.5 | 1000 | | |

◆ CHARACTERISTIC DATA

————— 250 BXA 68 M 16×25
 - - - - - 450 BXA 22 M 16×25

· TEMPERATURE CHARACTERISTICS



· ENDURANCE

