



# Directional Couplers

## Mini, Octave Bandwidth

V 3.00

2020 Series

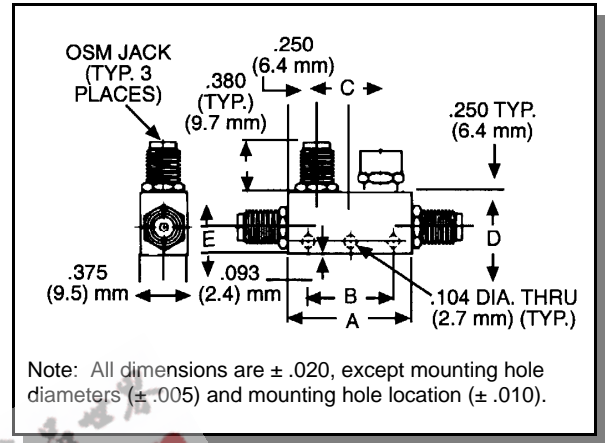
### Features

- Smallest and Lightest Couplers Available
- 0.5 through 18 GHz, including Wideband Units
- High Directivity - Low VSWR
- Meets MIL-E-5400 Environments

### Description

These miniature couplers are designed to provide sampling of the RF Power propagating in one direction on a transmission line.

### OUTLINE DRAWING



### Mechanical Specifications

Case Style	A Inch (mm)	B Inch (mm)	C Inch (mm)	D Inch (mm)	E Inch (mm)	Weight	
						oz.	g
1	1.00 (25.4)	N/A	0.50 (12.7)	0.55 (13.9)	0.22 (5.6)	0.62	17.6
2	1.00 (25.4)	N/A	0.50 (12.7)	0.50 (12.7)	0.22 (5.6)	0.60	17.0
3	1.16 (29.4)	0.34 (8.7)	0.66 (16.7)	0.50 (12.7)	0.22 (5.6)	0.64	18.2
4	1.16 (29.4)	0.34 (8.7)	0.66 (16.7)	0.55 (13.9)	0.22 (5.6)	0.67	19.0
5	1.78 (45.2)	0.94 (23.8)	1.28 (32.5)	0.50 (12.7)	0.22 (5.6)	0.82	23.2
6	1.78 (45.2)	0.94 (23.8)	1.28 (32.5)	0.55 (13.9)	0.22 (5.6)	0.87	23.3
7*	3.00 (76.2)	1.00 (25.4)	2.50 (64.5)	0.75 (19.1)	0.31 (7.9)	1.50	43.0
8	1.00 (25.4)	N/A	0.50 (12.7)	0.63 (15.9)	0.22 (5.6)	0.67	19.0

\* Case Style 7 has four mounting holes located symmetrically to the two shown dotted in figure.

## Specifications

Part Number	Case Style	Freq. Range (GHz)	Coupling (Include. Freq. Sens. (dB))	Freq. Sens. (dB)	Insertion Loss Max (dB)	Direct. Min. (dB)	VSWR Max		Power (Input)			MIL Dash No.	M/A-COM MIL-C-15370/9 P/N <sup>2</sup>
							Prim Line	Sec Line	Avg. In. (W)	Avg. Refl. (W)	Pk. (kW)		
2020-6600-06	7	0.5-1.0	6 ± 1.0	± 0.60	0.15	25	1.10	1.10	50	4	4	—	—
2020-6601-10	7		10 ± 1.0	± 0.75	0.15	25	1.10	1.10	50	10	4	—	—
2020-6602-20	7		20 ± 1.0	± 0.75	0.15	25	1.10	1.10	50	50	4	—	—
2020-6603-30	7		30 ± 1.0	± 0.75	0.15	25	1.10	1.10	50	50	4	—	—
2020-6604-06	5	1.0-2.0	6 ± 1.0	± 0.60	0.20	25	1.15	1.15	50	4	4	-100	2020-4015-06
2020-6605-10	5		10 ± 1.0	± 0.75	0.20	25	1.15	1.15	50	10	4	-200	2020-4015-10
2020-6606-20	5		20 ± 1.0	± 0.75	0.20	25	1.15	1.15	50	50	4	-300	2020-4015-20
2020-6607-30	6		30 ± 1.0	± 0.75	0.20	25	1.15	1.15	50	50	4	-400	2020-4015-30
2020-6608-06	3	2.0-4.0	6 ± 1.0	± 0.60	0.20	22	1.15	1.15	50	4	4	-500	2020-4016-06
2020-6609-10	3		10 ± 1.0	± 0.75	0.20	22	1.15	1.15	50	10	4	-600	2020-4016-10
2020-6610-20	3		20 ± 1.0	± 0.75	0.20	22	1.15	1.15	50	50	4	-700	2020-4016-20
2020-6611-30	4		30 ± 1.0	± 0.75	0.20	22	1.15	1.15	50	50	4	-800	2020-4016-30
2020-6612-06	2	2.6-5.2	6 ± 1.0	± 0.60	0.25	20	1.25	1.25	50	4	4	—	—
2020-6613-10	2		10 ± 1.0	± 0.75	0.25	20	1.25	1.25	50	10	4	—	—
2020-6614-20	2		20 ± 1.0	± 0.75	0.25	20	1.25	1.25	50	50	4	—	—
2020-6615-30	1		30 ± 1.0	± 0.75	0.25	20	1.25	1.25	50	50	4	—	—
2020-6616-06	2	4.0-8.0	6 ± 0.75	± 0.50	0.25	22	1.25	1.25	50	4	4	-900	2020-4017-06
2020-6617-10	2		10 ± 0.75	± 0.50	0.25	20	1.25	1.25	50	10	4	-100	2020-4017-10
2020-6618-20	2		20 ± 0.75	± 0.50	0.25	20	1.25	1.25	50	50	4	-110	2020-4017-20
2020-6619-30	1		30 ± 0.75	± 0.50	0.25	20	1.25	1.25	50	50	4	—	—
2020-6620-06	2	7.0-12.4	6 ± 1.0	± 0.50	0.40	15	1.35	1.35	50	4	4	-120	2020-4018-06
2020-6621-10	1		10 ± 0.75	± 0.40	0.40	20	1.30	1.35	50	10	4	-130	2020-4018-10
2020-6622-20	1		20 ± 0.75	± 0.50	0.30	18	1.25	1.25	50	50	4	-140	2020-4018-20
2020-6623-30	1		30 ± 1.0	± 0.50	0.30	17	1.35	1.35	50	50	4	-180	2020-4018-30
2020-6624-06	2	7.0-18.0	6 ± 1.0	± 0.50	0.60	15	1.35	1.35	50	4	3	—	—
2020-6625-10	1		10 ± 1.0	± 0.50	0.40	20	1.30	1.40	50	10	3	—	—
2020-6626-20	1		20 ± 1.0	± 0.75	0.50	15 <sup>1</sup>	1.45	1.45	50	50	3	—	—
2020-6627-30	8		30 ± 1.0	± 0.75	0.50	15 <sup>1</sup>	1.45	1.45	50	50	3	—	—
2020-6628-06	2	12.4-18.0	6 ± 0.75	± 0.40	0.60	15	1.40	1.40	50	4	2	—	—
2020-6629-10	1		10 ± 0.75	± 0.40	0.40	20	1.30	1.40	50	10	2	—	—
2020-6630-20	1		20 ± 0.75	± 0.50	0.50	15	1.45	1.45	50	50	2	-17	2020-4114-20
2020-6631-30	8		30 ± 0.75	± 0.50	0.50	12	1.45	1.45	50	50	2	—	—

1. 12 dB from 12.4 to 18.0 GHz.

2. MIL spec parts are offered after a First Article test is performed and approved per procedure GFA0067 in accordance with MIL-C-15370 Rev G. Consult Field Sales for pricing.

Specifications subject to change without notice.

- North America: Tel. (800) 366-2266
- Asia/Pacific: Tel.+81-44-844-8296, Fax +81-44-844-8298
- Europe: Tel. +44 (1344) 869 595, Fax+44 (1344) 300 020

Visit [www.macom.com](http://www.macom.com) for additional data sheets and product information.