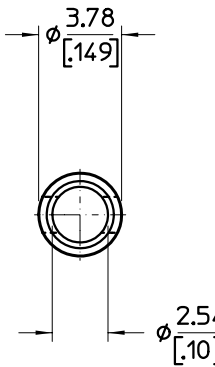
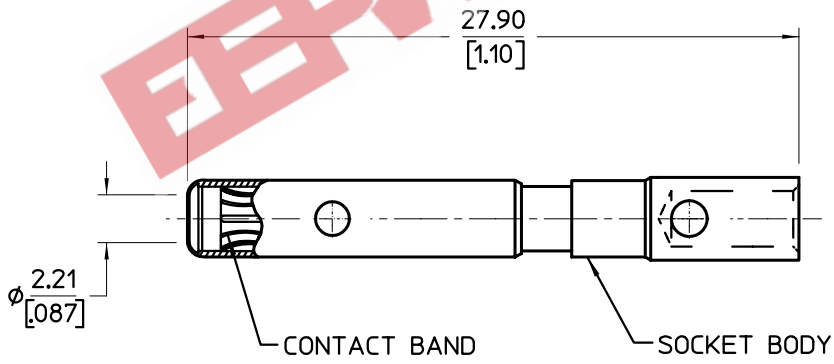


VICOR CONFIDENTIAL

THIS DOCUMENT AND THE DATA DISCLOSED  
HEREIN OR HEREWITH IS NOT TO BE REPRODUCED,  
USED, OR DISCLOSED IN WHOLE OR IN PART  
TO ANYONE WITHOUT PERMISSION OF VICOR CORP.

REV.	DESC
01	DRN- E990450



NOTES:

1. MATERIAL: BODY- COPPER ALLOY  
BAND- BeCu
2. FINISH: BODY AND BAND- .0002 SILVER
3. WIRE BARRELL WILL ACCEPT 12-14 AWG WIRE.
4. ALL DIMENSIONS ARE REFERENCE.
5. DIMENSIONS IN [BRACKETS] ARE IN INCHES.
6. SUGGESTED VENDOR- AMP PN 193842-1.

DRAWN BY	DATE	
RCM	3/13/00	
UNLESS OTHERWISE SPECIFIED DIMENSIONS ARE IN INCHES- TOLERANCES ARE:		
FRACTIONS	DECIMALS	ANGLES
*1/64	XX+*.01	*1°
	XXX+*.005	
THIRD ANGLE PROJECTION		
DO NOT SCALE DRAWING		
SIZE	B	F
SCALE		