

# MODEL 23A, B, S

## 4mm Square

## Sealed Single Turn

## Surface Mount

## Cermet Trimming

## Potentiometer



1

### ELECTRICAL

Standard Resistance Range, Ohms	10 to 2Meg
Standard Resistance Tolerance	±20%
Input Voltage, Maximum	200 Vdc or rms not to exceed power rating
Power Rating, Watts	0.25 at 70°C derating to 0 at 125°C
End Resistance, Maximum	1% or 3 Ohms, whichever is greater
Actual Electrical Travel, Nominal	210°
Dielectric Strength	500 Vrms
Insulation Resistance, Minimum	100 Megohms
Resolution	Essentially infinite
Contact Resistance Variation, Maximum	1% or 3 Ohms, whichever is greater

### ENVIRONMENTAL

Seal	85°C Fluorinert® (No Leaks)
Temperature Coefficient, Maximum	±100ppm/°C (<200 Ohms, >1Meg = ±250ppm/°C)
Operating Temperature Range	-55°C to +125°C
Thermal Shock	5 cycles, -55°C to +125°C (2% ΔRT, 2% ΔVR)
Moisture Resistance	Ten 24 hour cycles (3% ΔRT)
Shock, 6ms Sawtooth	100G's (1% ΔRT, 1% ΔVR)
Vibration	20G's, 10 to 2,000 Hz (1% ΔRT, 1% ΔVR)
High Temperature Exposure	250 hours at 125°C (2% ΔRT, 2% ΔVR)
Rotational Life	100 cycles (5% ΔRT)
Load Life at 0.25 Watts	1,000 hours at 70°C (3% ΔRT, 1% ΔVR)
Resistance to Solder Heat	260°C for 10 sec. (1% ΔRT)

### MECHANICAL

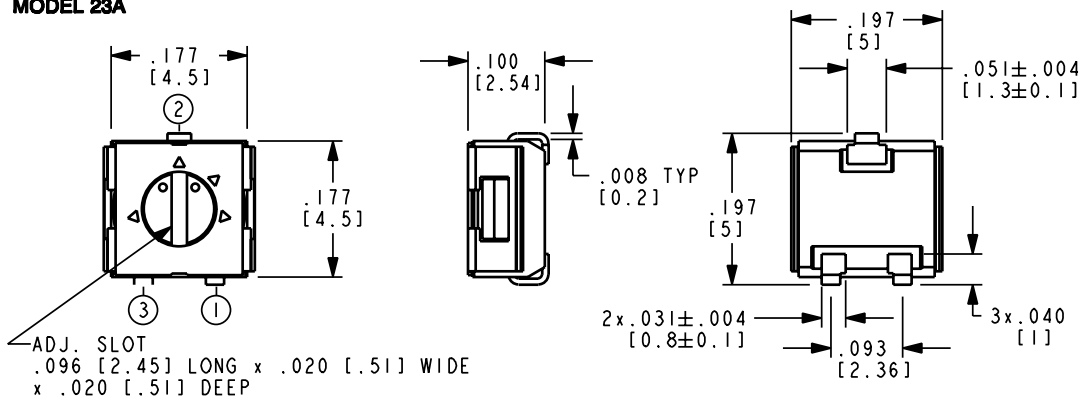
Mechanical Stops	Solid
Stop Strength, Minimum	4 oz.-in. (300 gr-cm)
Torque, Maximum	2 oz.-in. (150 gr-cm)
Weight, Nominal	.005 oz. (0.14 grams)

Fluorinert® is a registered trademark of 3M Company.  
Specifications subject to change without notice.



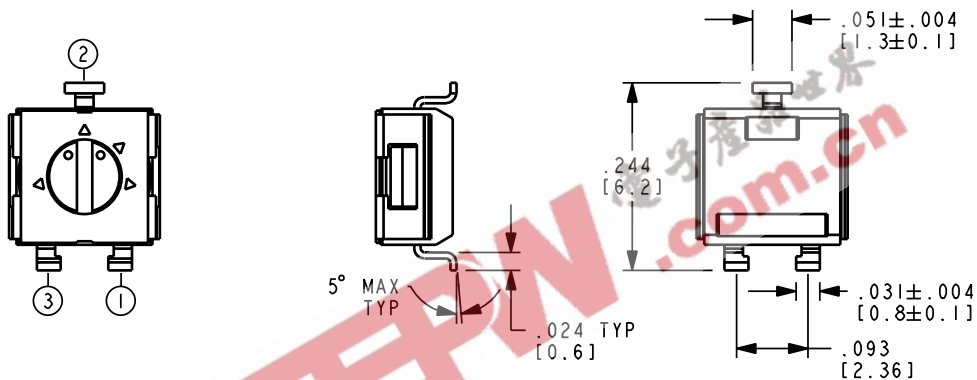
**TOP ADJUSTMENT (Inch/mm)**

**MODEL 23A**



Note: Model 23A dimensions applicable to all models except as noted

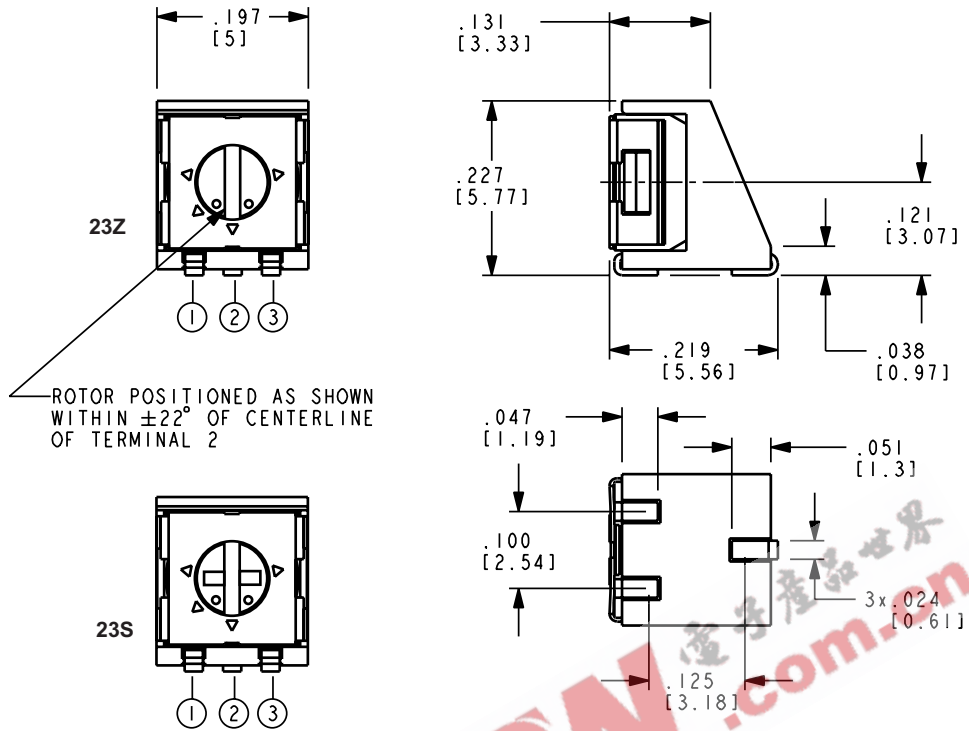
**MODEL 23B**



**SIDE ADJUSTMENT (Inch/mm)**

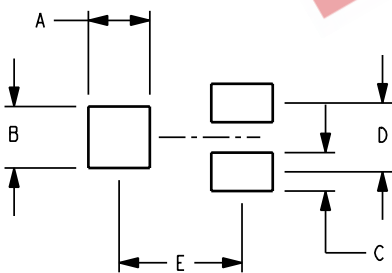
1

**MODEL 23S (CROSS SLOT) & 23Z (STRAIGHT SLOT)**



**RECOMMENDED PCB LAYOUT (Inch/mm)**

**RECOMMENDED PCB LAYOUT (INCH/mm)**



	23A	23B	23S
A	.079 2.00	.051 1.3	.079 2.0
B	.079 2.00	.079 2.0	.079 2.0
C	.051 1.3	.051 1.3	.051 1.3
D	.091 2.3	.091 2.3	.10 2.54
E	.157 4.00	.217 5.5	.137 3.48

DIMENSIONS ARE : INCHES (mm)  
TOLERANCES :  $\pm .010$  (.25) EXCEPT WHERE NOTED

### STANDARD RESISTANCE VALUES, OHMS

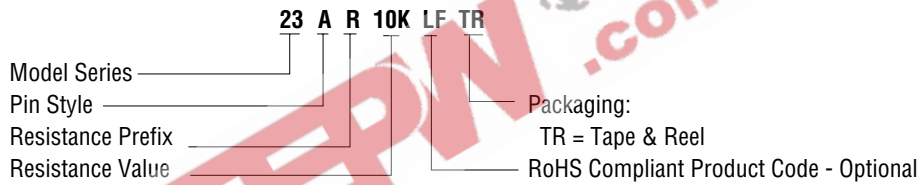
10	100	1K	10K	100K	1Meg
20	200	2K	20K	200K	2Meg
50	500	5K	50K	500K	

### PACKAGING

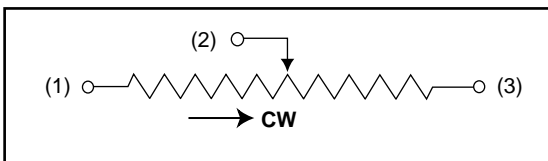
**Standard:** Embossed Tape  
All units oriented with #2 (slider) terminal adjacent to sprocket holes.

	Pin Style		A,B	S
Tape	Width	=	12 mm	12 mm
	Sprocket	=	4 mm Pitch	4 mm Pitch
	Capacity	=	500 Units	200 Units
Reel	Diameter	=	7" (178 mm)	7" (178 mm)

### ORDERING INFORMATION



### CIRCUIT DIAGRAM



### NOTES

English equivalents are based on 1 inch = 25.4mm and are provided for general information only.

Tolerances unless otherwise specified:  
Linear = ± 0.3 mm (.01 inches)

