

MXY SERIES

Low Profile with Horizontal Mounting

◆ **FEATURES**

- Load Life : 105°C 3000 hours with horizontal mounting.
- Suitable for flat equipment design.
- RoHS compliance.



◆ **SPECIFICATIONS**

Items	Characteristics								
Category Temperature Range	-25~+105°C								
Rated Voltage Range	160V~400V.DC								
Capacitance Tolerance	±20% (20°C, 120Hz)								
Leakage Current(MAX)	$I=3\sqrt{CV}$ (After 5 minutes application of rated voltage) I=Leakage Current(μA) V=Rated Voltage(V) C=Rated Capacitance(μF)								
Dissipation Factor(MAX) (tan δ)	0.15 (20°C, 120Hz)								
Impedance Ratio(MAX)	<table border="1"> <thead> <tr> <th>Rated Voltage (V)</th> <th>160~250</th> <th>400</th> <th>(120Hz)</th> </tr> </thead> <tbody> <tr> <td>Z(-25°C)/Z(20°C)</td> <td>3</td> <td>8</td> <td></td> </tr> </tbody> </table>	Rated Voltage (V)	160~250	400	(120Hz)	Z(-25°C)/Z(20°C)	3	8	
Rated Voltage (V)	160~250	400	(120Hz)						
Z(-25°C)/Z(20°C)	3	8							
Endurance	After applying rated voltage with rated ripple current for 3000hrs at 105°C, the capacitors shall meet the following requirements. <table border="1"> <tbody> <tr> <td>Capacitance Change</td> <td>Within ±20% of the initial value.</td> </tr> <tr> <td>Dissipation Factor</td> <td>Not more than 200% of the specified value.</td> </tr> <tr> <td>Leakage Current</td> <td>Not more than the specified value.</td> </tr> </tbody> </table>	Capacitance Change	Within ±20% of the initial value.	Dissipation Factor	Not more than 200% of the specified value.	Leakage Current	Not more than the specified value.		
Capacitance Change	Within ±20% of the initial value.								
Dissipation Factor	Not more than 200% of the specified value.								
Leakage Current	Not more than the specified value.								

◆ **MULTIPLIER FOR RIPPLE CURRENT**

Frequency coefficient

Frequency (Hz)	60(50)	120	500	1k	10k≤
Coefficient	0.80	1.00	1.10	1.14	1.18
	0.80	1.00	1.05	1.10	1.15

◆ **PART NUMBER**

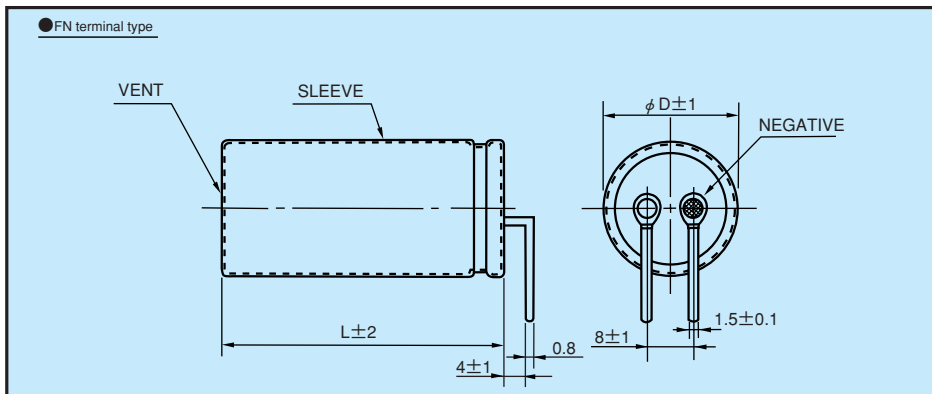
□□□ MXY □□□□□ □ OOE FN DXL
 Rated Voltage Series Rated Capacitance Capacitance Tolerance Option Terminal Code Case Size

◆ **Option**

	Code
without plate	OOE
with plate	Blank

◆ **DIMENSIONS**

(mm)



◆ STANDARD SIZE, RATED RIPPLE CURRENT

Cap(μ F)	WV ϕ D	160						200					
		ϕ 20		ϕ 22		ϕ 25		ϕ 20		ϕ 22		ϕ 25	
270								20×30	0.97				
330	20×30	1.02						20×35	1.17	22×30	1.20		
390	20×35	1.15	22×30	1.17				20×40	1.27	22×35	1.30		
470	20×40	1.25	22×30	1.28				20×45	1.41	22×40	1.44		
560	20×45	1.42	22×35	1.45				20×55	1.56	22×45	1.60	25×35	1.60
680	20×50	1.60	22×40	1.64	25×35	1.70		20×60	1.71	22×50	1.75	25×40	1.76
820	20×55	1.81	22×45	1.85	25×40	1.92				22×60	2.10	25×45	2.10
1000			22×55	2.10	25×45	2.17						25×50	2.36
1200					25×50	2.43							
1500					25×60	2.62							

Cap(μ F)	WV ϕ D	250						400					
		ϕ 20		ϕ 22		ϕ 25		ϕ 20		ϕ 22		ϕ 25	
68								20×30	0.48				
82								20×30	0.54				
100								20×35	0.60	22×30	0.62		
120								20×40	0.71	22×35	0.73		
150								20×45	0.83	22×40	0.85	25×35	0.85
180	20×30	0.82						20×55	0.93	22×45	0.95	25×35	0.92
220	20×35	0.95	22×30	0.97						22×50	1.08	25×40	1.05
270	20×40	1.08	22×35	1.11						22×60	1.20	25×50	1.29
330	20×45	1.23	22×40	1.26								25×60	1.41
390	20×50	1.38	22×45	1.41	25×35	1.42							
470	20×60	1.54	22×50	1.58	25×40	1.61							
560			22×55	1.80	25×45	1.80							
680					25×50	2.03							
820					25×60	2.26							

↑ Ripple Current (A r.m.s./120Hz, 105°C)

 ↑ Case Size ϕ D×L(mm)
