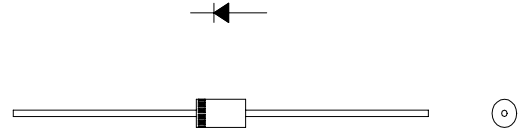


SBD Type : 21DQ09

FEATURES

- * Miniature Size
- * Low Forward Voltage Drop
- * Low Power Loss, High Efficiency
- * High Surge Capability
- * 30volts trough 100volts Types Available
- * 52mm Inside Tape Spacing Package Available

OUTLINE DRAWING



Maximum Ratings

Approx Net Weight:0.38g

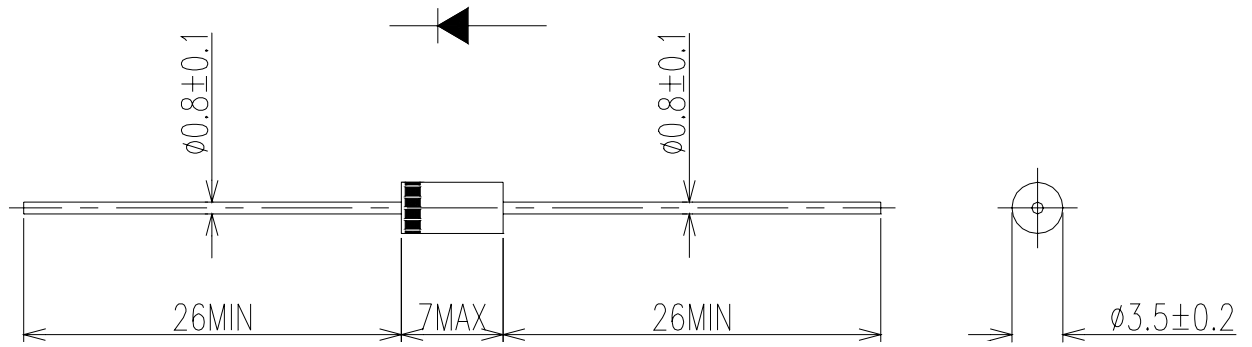
Rating		Symbol	21DQ09			Unit
Repetitive Peak Reverse Voltage		V_{RRM}	90			V
Average Rectified Output Current	Without Fin or P.C.Board	I_O	1.3	$T_a=32^{\circ}C$	Half Sine Wave Resistive Load	A
	P.C.Board Mounted *		1.7	$T_a=47^{\circ}C$		
RMS Forward Current		$I_{F(RMS)}$	2.67			A
Surge Forward Current		I_{FSM}	70	Half Sine Wave,1cycle,Non-repetitive		A
Operating JunctionTemperature Range		T_{jw}	- 40 to + 150			$^{\circ}C$
Storage Temperature Range		T_{stg}	- 40 to + 150			$^{\circ}C$

Electrical • Thermal Characteristics

Characteristics	Symbol	Conditions	Min	Typ	Max	Unit
Peak Reverse Current	I_{RM}	$T_j= 25^{\circ}C, V_{RM}= V_{RRM}$	-	-	1	mA
Peak Forward Voltage	V_{FM}	$T_j= 25^{\circ}C, I_{FM}= 2 A$	-	-	0.85	V
Thermal Resistance(Junction to Ambient)	$R_{th(j-a)}$	Without Fin or P.C.Board	-	-	105	$^{\circ}C/W$
		P.C.Board mounted *	-	-	70	

* :Print Lands = 5x5 mm,Both Sides

21DQ09 OUTLINE DRAWING (Dimensions in mm)



EEPW 电子产品世界 .com.cn