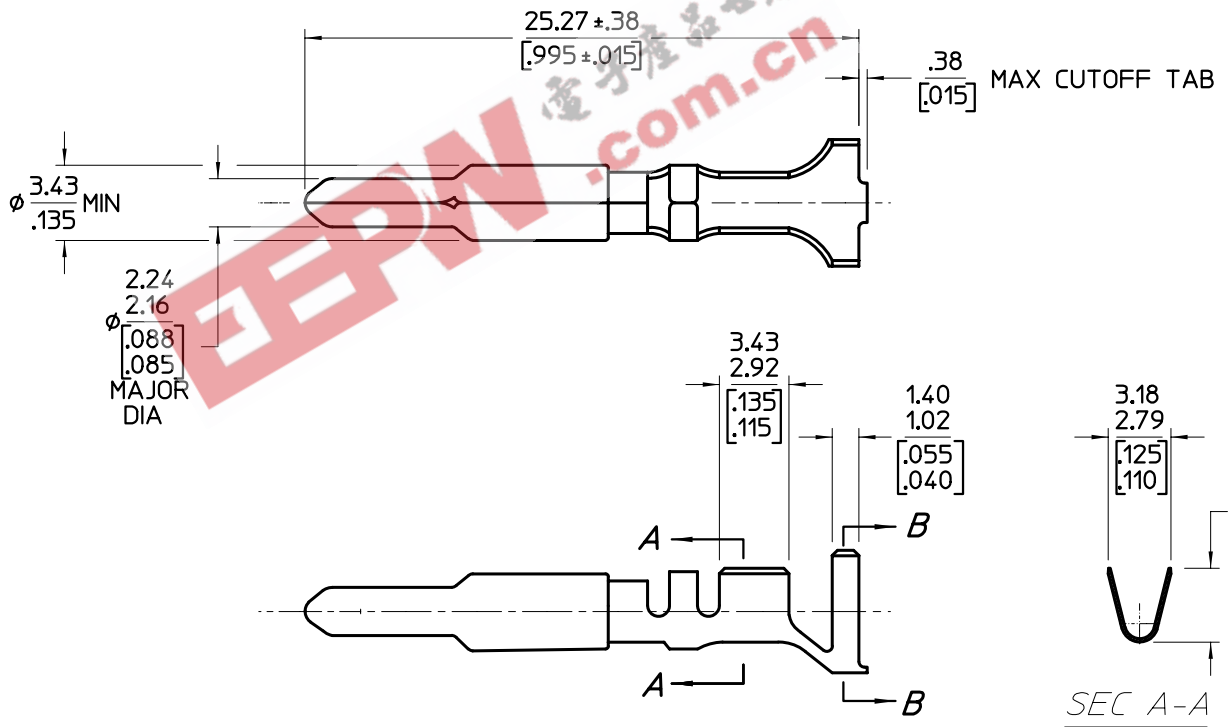


VICOR CONFIDENTIAL

THIS DOCUMENT AND THE DATA DISCLOSED
HEREIN OR HEREWITH IS NOT TO BE REPRODUCED,
USED, OR DISCLOSED IN WHOLE OR IN PART
TO ANYONE WITHOUT PERMISSION OF VICOR CORP.

REV.	DESC
01	DRN- E990450



NOTES:

1. MATERIAL: 0.30 [.012] BRASS
2. FINISH: TIN PLATE 0.4-3.5 MICROMETERS THK.
3. WIRE RANGE: 0.5-2mm² [20-14 AWG]
INSULATION RANGE: 3.30-5.08 [.130-.200] DIA.
4. DIMENSIONS IN [BRACKETS] ARE IN INCHES.
5. SUGGESTED VENDOR: AMP PN 770248-1.

DRAWN BY	DATE	
RCM	3/13/00	
UNLESS OTHERWISE SPECIFIED DIMENSIONS ARE IN MM/(INCHES) TOLERANCES ARE:		
DECIMALS	ANGLES	
.XXX = ±0.13/[.005]	±1°	
THIRD ANGLE PROJECTION		SIZE B
		SCALE
DO NOT SCALE DRAWING		