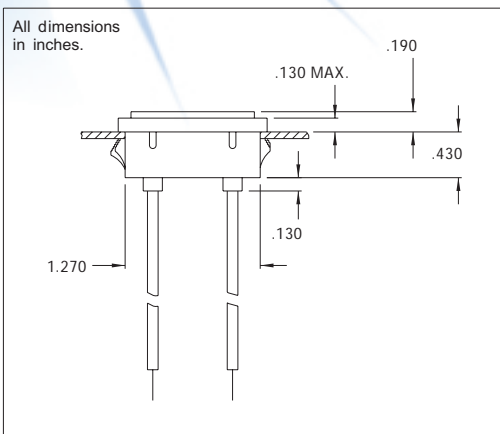


WORLDWIDE



2330D and 2332D Series Non-Relampable Neon Indicator Light

DESCRIPTION AND FEATURES



Mounting: Will snap-fit into .032/.100 thick panels. Use speednut for other panel thicknesses. Available with speednut SN1963. Mounting hole pattern on page SP3.

Wire Leads: No.22 AWG (105°C), 4.40/4.80 long, stripped .430/.570

Lens: Polycarbonate

Anode(+): Red lead

Bezel: Polished stainless steel.
For black finish add "X" after the series letter(s).

Lens Color	Neon
	Model No. (105-125VAC)
Red	2330D1
Amber	2330D3
White	2330D4
Green	2332D5*
Lamp used	C2A+Resistor

*Incorporates G2B lamp and resistor
Underwriters Laboratories (UL) File No. E20325
Canadian Standards Association (CSA) File No. LR13346

EEPW.com.cn 电子产品世界

2330D and 2332D Series Non-Relampable Neon Indicator Light



America:
CML Innovative Technologies, Inc.
147 Central Avenue
Hackensack, NJ 07601 -USA
Tel:1-201-489 -8989
Fax:1-201-489 -6911
e-mail:americas@cml-it.com

Europe:
CML Technologies GmbH &Co.KG
Robert-Bunsen-Str.1
67098 Bad Dürkheim -GERMANY
Tel:+49 (0)6322 9567-0
Fax:+49 (0)6322 9567-88
e-mail:europa@cml-it.com

Asia:
CML Innovative Technologies, Inc.
61 Aida Street
Singapore 459975
Tel:(65)9630 -5003
e-mail:asia@cml-it.com