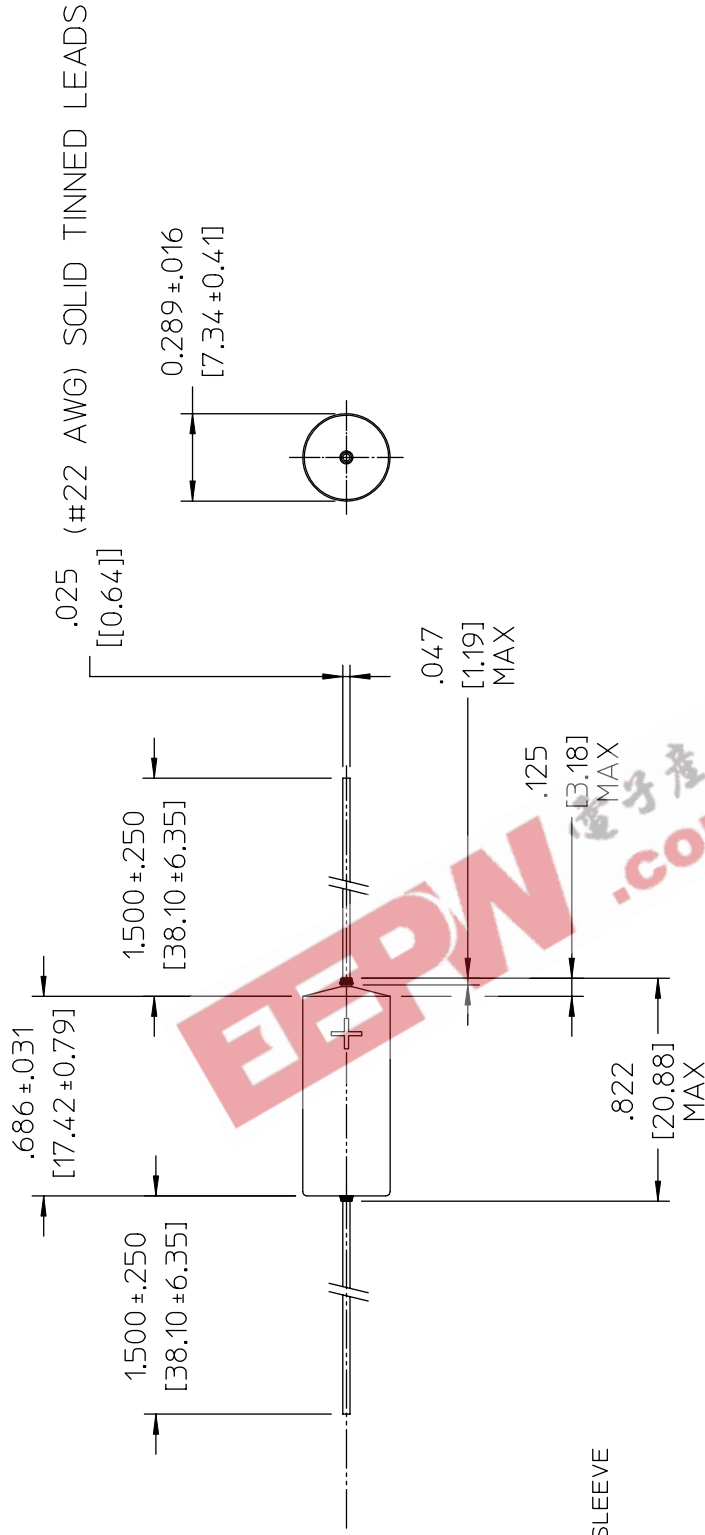


**VICOR CONFIDENTIAL**

THIS DOCUMENT AND THE DATA DISCLOSED HEREIN OR HEREWITH IS NOT TO BE REPRODUCED, USED, OR DISCLOSED IN WHOLE OR IN PART TO ANYONE WITHOUT PERMISSION OF VICOR CORP.

REV.	DESCRIPTION	DATE	APPROVED
#1	DRAWN FOR DEVELOPMENT	8/6/01	CF
#2	REVISED PER MARK-UP	03/11/03	CF



- NOTES:
1. MATERIAL: SOLID TANTALUM
  2. CASE: METAL, WITH INSULATING SLEEVE
  3. INCH/[METRIC] DIMENSIONING.

MARKING:

1. VENDOR
2. DATE CODE
3. MFD/TOL/VDC

ELECTRICAL CHARACTERISTICS @ T=25°C (UNLESS OTHERWISE SPECIFIED)

PARAMETER	SYMBOL	MIN	TYP	MAX	UNITS	TEST CONDITIONS
CAPACITANCE	C	24.3		29.70	µF	@ 120 Hz, .5 Vrms
LEAKAGE CURRENT	I <sub>DCL</sub>			8	µA	@ V <sub>DCW</sub>
EQUIVALENT SERIES RESISTANCE	ESR		210		mΩ	@ 100 KHZ 1VRMS
WORKING VOLTAGE	V <sub>DCW</sub>		50		V	
DISSIPATION FACTOR	D			6	%	@ 120 Hz 1VRMS
OPERATING TEMPERATURE				-55°C TO +125°C		WITH PROPER VOLTAGE DERATING

DRAWN BY	DATE
G. C. KEAY	8/6/01

UNLESS OTHERWISE SPECIFIED DIMENSIONS ARE IN INCHES- TOLERANCES ARE: FRACTIONS DECIMALS ANGLES .XX = ±.01 .XXX = ±.005

THIRD ANGLE PROJECTION

DO NOT SCALE DRAWING

SIZE	FSCM NO.	DWG NO	REV
B	67131	24255	#2

SCALE 2:1 SHEET 1 OF 1

**VICOR**

CAP, SOLID TANTALUM, 27 µF, ±20%, 50V