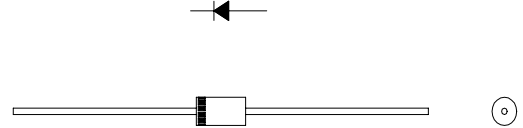


# SBD Type : 21DQ06

## OUTLINE DRAWING

### FEATURES

- \* Miniature Size
- \* Low Forward Voltage Drop
- \* Low Power Loss, High Efficiency
- \* High Surge Capability
- \* 30volts trough 100volts Types Available
- \* 52mm Inside Tape Spacing Package Available



### Maximum Ratings

Approx Net Weight:0.38g

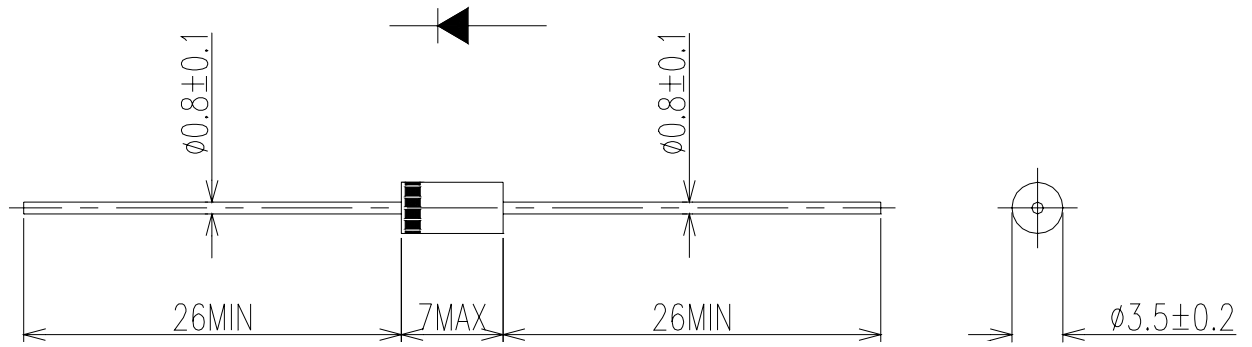
Rating		Symbol	21DQ06			Unit
Repetitive Peak Reverse Voltage		$V_{RRM}$	60			V
Non-repetitive Peak Reverse Voltage		$V_{RSM}$	65			V
Average Rectified Output Current	Without Fin or P.C.Board	$I_o$	1.1	$T_a=32^{\circ}C$	Half Sine Wave Resistive Load	A
	P.C.Board Mounted *		1.7	$T_a=25^{\circ}C$		
RMS Forward Current		$I_{F(RMS)}$	2.67			A
Surge Forward Current		$I_{FSM}$	45	Half Sine Wave,1cycle,Non-repetitive		A
Operating JunctionTemperature Range		$T_{jw}$	- 40 to + 150			$^{\circ}C$
Storage Temperature Range		$T_{stg}$	- 40 to + 150			$^{\circ}C$

### Electrical • Thermal Characteristics

Characteristics	Symbol	Conditions	Min	Typ	Max	Unit
Peak Reverse Current	$I_{RM}$	$T_j= 25^{\circ}C, V_{RM}= V_{RRM}$	-	-	2	mA
Peak Forward Voltage	$V_{FM}$	$T_j= 25^{\circ}C, I_{FM}= 1.7 A$	-	-	0.58	V
Thermal Resistance(Junction to Ambient)	$R_{th(j-a)}$	Without Fin or P.C.Board	-	-	105	$^{\circ}C/W$
		P.C.Board mounted *	-	-	70	

\* :Print Lands = 5x5 mm,Both Sides

21DQ06 OUTLINE DRAWING (Dimensions in mm)



EEPW 电子产品世界  
.com.cn