

# A11

## DIP PLUG (.1" \* .1")

PITCH: 2.54mm

### SPECIFICATIONS

#### Material

Insulator : PBT, glass reinforced, rated UL 94V-0

Contact : Phosphor Bronze or Brass

#### Electrical

Current Rating : 1 Amp DC

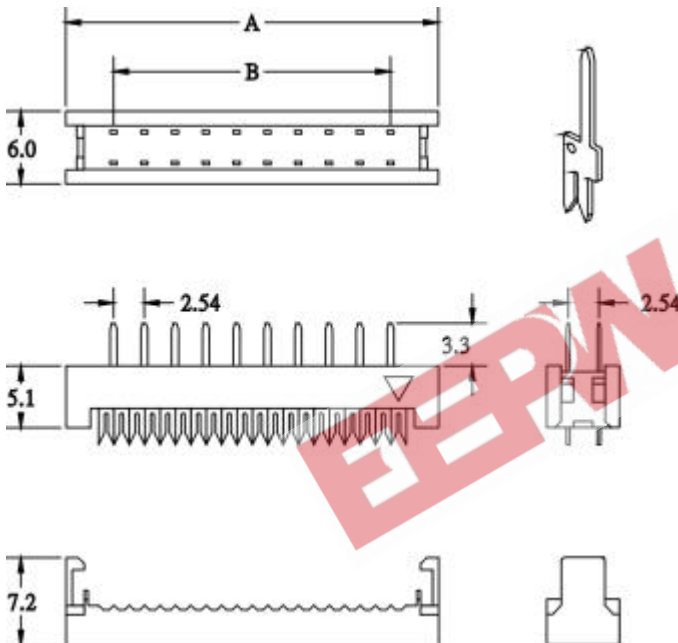
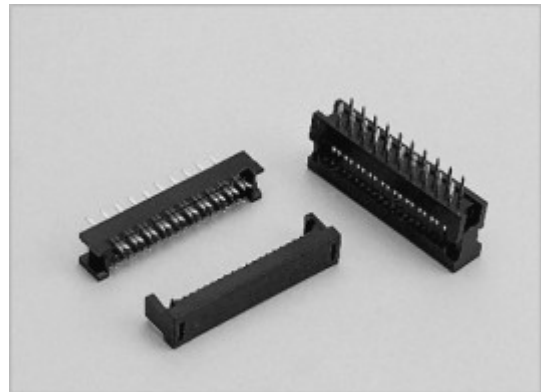
Contact Resistance : 30 mΩ max.

Insulation Resistance : 3000 MΩ min.

Dielectric Withstanding Voltage : 500V AC for 1minute

Operating Temperature : -40°C to +105°C

♦ Terminated with 1.27mm pitch flat ribbon cable.



POSITION	A	B
8	15.38	7.62
10	18.04	10.16
12	20.64	12.70
14	23.18	15.24
16	25.73	17.78
20	30.70	22.86
24	35.68	27.94
26	38.43	30.48
28	40.74	33.02
30	43.54	35.56
34	48.45	40.64
40	56.04	48.26
50	69.08	60.96
60	81.60	73.66
64	86.40	78.74

### HOW TO ORDER:

A11 -  1 -  2 -  3 -  4

1.NO. OF CONTACT	2.CONTACT MATERIAL	3.CONTACT PLATING	4.INSULATOR COLOR
06 08 10 12 14 16 20 24 26 28 30 34 36 40 50 60 64	A: BRASS B: PHOSPHOR BRONZE	T: TIN PLATED S: SELECTIVE G: GOLD FLASH A: 5μ" INCH GOLD B: 10μ" INCH GOLD C: 15μ" INCH GOLD D: 30μ" INCH GOLD	1. BLACK 2. GREY