

74VHC4051 • 74VHC4052 • 74VHC4053 8-Channel Analog Multiplexer • Dual 4-Channel Analog Multiplexer • Triple 2-Channel Analog Multiplexer

General Description

These multiplexers are digitally controlled analog switches implemented in advanced silicon-gate CMOS technology. These switches have low "on" resistance and low "off" leakages. They are bidirectional switches, thus any analog input may be used as an output and vice-versa. Also these switches contain linearization circuitry which lowers the "on" resistance and increases switch linearity. These devices allow control of up to $\pm 6V$ (peak) analog signals with digital control signals of 0 to 6V. Three supply pins are provided for V_{CC} , ground, and V_{EE} . This enables the connection of 0–5V logic signals when $V_{CC} = 5V$ and an analog input range of $\pm 5V$ when $V_{EE} = 5V$. All three devices also have an inhibit control which when high will disable all switches to their off state. All analog inputs and outputs and digital inputs are protected from electrostatic damage by diodes to V_{CC} and ground.

VHC4051: This device connects together the outputs of 8 switches, thus achieving an 8 channel Multiplexer. The binary code placed on the A, B, and C select lines determines which one of the eight switches is "on", and connects one of the eight inputs to the common output.

VHC4052: This device connects together the outputs of 4 switches in two sets, thus achieving a pair of 4-channel

multiplexers. The binary code placed on the A, and B select lines determine which switch in each 4 channel section is "on", connecting one of the four inputs in each section to its common output. This enables the implementation of a 4-channel differential multiplexer.

VHC4053: This device contains 6 switches whose outputs are connected together in pairs, thus implementing a triple 2 channel multiplexer, or the equivalent of 3 single-pole-double throw configurations. Each of the A, B, or C select lines independently controls one pair of switches, selecting one of the two switches to be "on".

Features

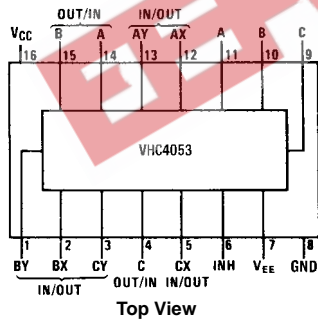
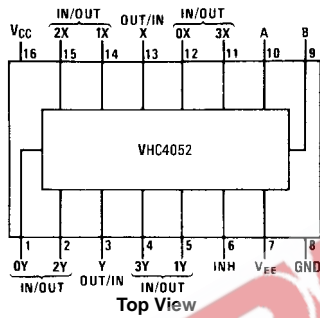
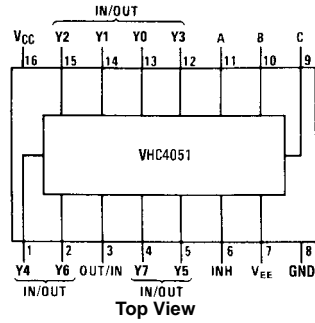
- Wide analog input voltage range: $\pm 6V$
- Low "on" resistance: 50 typ. ($V_{CC} - V_{EE} = 4.5V$)
30 typ. ($V_{CC} - V_{EE} = 9V$)
- Logic level translation to enable 5V logic with $\pm 5V$ analog signals
- Low quiescent current: 80 μA maximum
- Matched switch characteristic
- Pin and function compatible with the 74HC4051/ 4052/ 4053

Ordering Code:

Order Number	Package Number	Package Description
74VHC4051M	M16A	16-Lead Small Outline Integrated Circuit (SOIC), JEDEC MS-012, 0.150" Narrow
74VHC4051WM	M16B	16-Lead Small Outline Integrated Circuit (SOIC), JEDEC MS-013, 0.300" Wide
74VHC4051MTC	MTC16	16-Lead Thin Shrink Small Outline Package (TSSOP), JEDEC MO-153, 4.4mm Wide
74VHC4051N	N16E	16-Lead Plastic Dual-In-Line Package (PDIP), JEDEC MS-001, 0.300" Wide
74VHC4052M	M16A	16-Lead Small Outline Integrated Circuit (SOIC), JEDEC MS-012, 0.150" Narrow
74VHC4052WM	M16B	16-Lead Small Outline Integrated Circuit (SOIC), JEDEC MS-013, 0.300" Wide
74VHC4052MTC	MTC16	16-Lead Thin Shrink Small Outline Package (TSSOP), JEDEC MO-153, 4.4mm Wide
74VHC4052N	N16E	16-Lead Plastic Dual-In-Line Package (PDIP), JEDEC MS-001, 0.300" Wide
74VHC4053M	M16A	16-Lead Small Outline Integrated Circuit (SOIC), JEDEC MS-012, 0.150" Narrow
74VHC4053WM	M16B	16-Lead Small Outline Integrated Circuit (SOIC), JEDEC MS-013, 0.300" Wide
74VHC4053MTC	MTC16	16-Lead Thin Shrink Small Outline Package (TSSOP), JEDEC MO-153, 4.4mm Wide
74VHC4053N	N16E	16-Lead Plastic Dual-In-Line Package (PDIP), JEDEC MS-001, 0.300" Wide

Surface mount packages are also available on Tape and Reel. Specify by appending the suffix letter "X" to the ordering code.

Connection Diagrams



Truth Tables

4051

Input				"ON" Channel
INH	C	B	A	
H	X	X	X	None
L	L	L	L	Y0
L	L	L	H	Y1
L	L	H	L	Y2
L	L	H	H	Y3
L	H	L	L	Y4
L	H	L	H	Y5
L	H	H	L	Y6
L	H	H	H	Y7

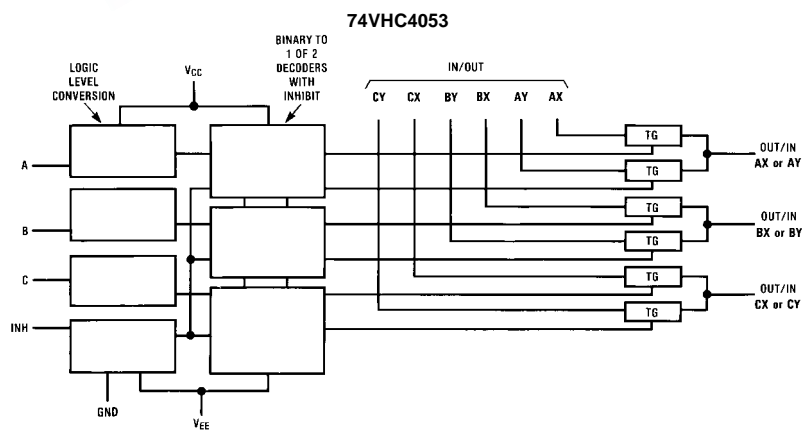
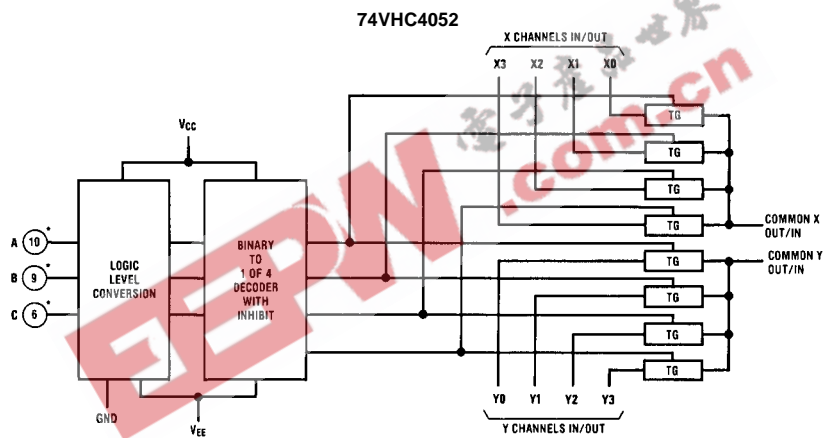
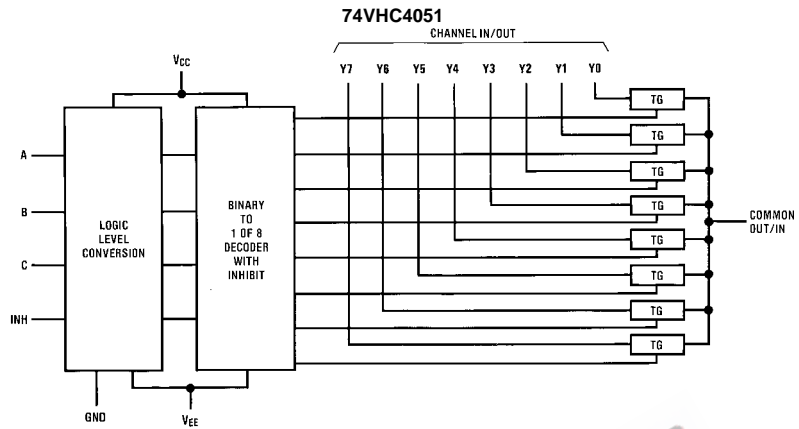
4052

Inputs			"ON" Channels	
INH	B	A	X	Y
H	X	X	None	None
L	L	L	0X	0Y
L	L	H	1X	1Y
L	H	L	2X	2Y
L	H	H	3X	3Y

4053

Input				"ON" Channels		
INH	C	B	A	C	B	A
H	X	X	X	None	None	None
L	L	L	L	CX	BX	AX
L	L	L	H	CX	BX	AY
L	L	H	L	CX	BY	AX
L	L	H	H	CX	BY	AY
L	H	L	L	CY	BX	AX
L	H	L	H	CY	BX	AY
L	H	H	L	CY	BY	AX
L	H	H	H	CY	BY	AY

Logic Diagrams



74VHC4051 • 74VHC4052 • 74VHC4053

Absolute Maximum Ratings (Note 1)

(Note 2)

Supply Voltage (V_{CC})	-0.5 to +7.5V
Supply Voltage (V_{EE})	+0.5 to -7.5V
Control Input Voltage (V_{IN})	-1.5 to $V_{CC}+1.5V$
Switch I/O Voltage (V_{IO})	$V_{EE}-0.5$ to $V_{CC}+0.5V$
Clamp Diode Current (I_{IK}, I_{OK})	± 20 mA
Output Current, per pin (I_{OUT})	± 25 mA
V_{CC} or GND Current, per pin (I_{CC})	± 50 mA
Storage Temperature Range (T_{STG})	-65°C to +150°C
Power Dissipation (P_D) (Note 3)	600 mW
S.O. Package only	500 mW
Lead Temperature (T_L) (Soldering 10 seconds)	260°C

Recommended Operating Conditions

	Min	Max	Units
Supply Voltage (V_{CC})	2	6	V
Supply Voltage (V_{EE})	0	-6	V
DC Input or Output Voltage (V_{IN}, V_{OUT})	0	V_{CC}	V
Operating Temperature Range (T_A)	-40	+85	°C
Input Rise or Fall Times (t_r, t_f)			
$V_{CC} = 2.0V$		1000	ns
$V_{CC} = 4.5V$		500	ns
$V_{CC} = 6.0V$		400	ns

Note 1: Absolute Maximum Ratings are those values beyond which damage to the device may occur.

Note 2: Unless otherwise specified all voltages are referenced to ground.

Note 3: Power Dissipation temperature derating — plastic "N" package: -12 mW/°C from 65°C to 85°C.

EEPW.com.cn

DC Electrical Characteristics (Note 4)								
Symbol	Parameter	Conditions	V _{EE}	V _{CC}	Typ	T _A = 25°C	T _A = -40 to 85°C	Units
						Guaranteed Limits		
V _{IH}	Minimum HIGH Level Input Voltage			2.0V		1.5	1.5	V
				4.5V		3.15	3.15	V
				6.0V		4.2	4.2	V
V _{IL}	Maximum LOW Level Input Voltage			2.0V		0.5	0.5	V
				4.5V		1.35	1.35	V
				6.0V		1.8	1.8	V
R _{ON}	Maximum "ON" Resistance (Note 5)	V _{INH} = V _{IL} , I _S = 2.0 mA V _{IS} = V _{CC} to V _{EE} (Figure 1)	GND	4.5V	40	160	200	Ω
			-4.5V	4.5V	30	120	150	Ω
			-6.0V	6.0V	20	100	125	Ω
		V _{INH} = V _{IL} , I _S = 2.0 mA V _{IS} = V _{CC} or V _{EE} (Figure 1)	GND	2.0V	100	230	280	Ω
			GND	4.5V	40	110	140	Ω
			-4.5V	4.5V	20	90	120	Ω
R _{ON}	Maximum "ON" Resistance Matching	V _{INH} = V _{IL} V _{IS} = V _{CC} to GND	GND	4.5V	10	20	25	Ω
			-4.5V	4.5V	5	10	15	Ω
			-6.0V	6.0V	5	10	12	Ω
I _N	Maximum Control Input Current	V _{IN} = V _{CC} or GND V _{CC} = 2 – 6V				±0.5	±0.5	μA
I _{CC}	Maximum Quiescent Supply Current	V _{IN} = V _{CC} or GND I _{OUT} = 0 μA	GND	6.0V		4	40	μA
			-6.0V	6.0V		8	80	μA
I _{Iz}	Maximum Switch "OFF" Leakage Current (Switch Input)	V _{OS} = V _{CC} or V _{EE} V _{IS} = V _{EE} or V _{CC} V _{INH} = V _{IH} (Figure 2)	GND	6.0V		±60	±300	nA
			-6.0V	6.0V		±100	±500	nA
I _{Iz}	Maximum Switch "ON" Leakage Current	V _{IS} = V _{CC} to V _{EE} V _{INH} = V _{IL} (Figure 3)	GND	6.0V		±0.1	±1.0	μA
			-6.0V	6.0V		±0.2	±2.0	μA
		V _{IS} = V _{CC} to V _{EE} V _{INH} = V _{IL} (Figure 3)	GND	6.0V		±0.050	±0.5	μA
			-6.0V	6.0V		±0.1	±1.0	μA
I _{Iz}	Maximum Switch "OFF" Leakage Current (Common Pin)	V _{OS} = V _{CC} or V _{EE} V _{IS} = V _{EE} or V _{CC} V _{INH} = V _{IH}	GND	6.0V		±0.1	±1.0	μA
			-6.0V	6.0V		±0.2	±2.0	μA
			V _{OS} = V _{CC} or V _{EE} V _{IS} = V _{EE} or V _{CC} V _{INH} = V _{IH}	GND	6.0V		±0.05	±0.5
-6.0V	6.0V			±0.1	±1.0	μA		
I _{Iz}	Maximum Switch "OFF" Leakage Current (Common Pin)	V _{OS} = V _{CC} or V _{EE} V _{IS} = V _{EE} or V _{CC} V _{INH} = V _{IH}	GND	6.0V		±0.05	±0.5	μA
			-6.0V	6.0V		±0.05	±0.5	μA
			GND	6.0V		±0.05	±0.5	μA

Note 4: For a power supply of 5V ±10% the worst case on resistances (R_{ON}) occurs for VHC at 4.5V. Thus the 4.5V values should be used when designing with this supply. Worst case V_{IH} and V_{IL} occur at V_{CC} = 5.5V and 4.5V respectively. (The V_{IH} value at 5.5V is 3.85V.) The worst case leakage current occur for CMOS at the higher voltage and so the 5.5V values should be used.

Note 5: At supply voltages (V_{CC}-V_{EE}) approaching 2V the analog switch on resistance becomes extremely non-linear. Therefore it is recommended that these devices be used to transmit digital only when using these supply voltages.

Note 6: Adjust 0 dB for f = 1 kHz (Null R1/R_{ON} Attenuation).

AC Electrical Characteristics									
V _{CC} = 2.0V – 6.0V, V _{EE} = 0V – 6V, C _L = 50 pF (unless otherwise specified)									
Symbol	Parameter	Conditions	V _{EE}	V _{CC}	T _A = 25°C		T _A = -40 to 85°C		Units
					Typ	Guaranteed Limits			
t _{PHL} , t _{PLH}	Maximum Propagation Delay Switch In to Out		GND	3.3V	25	35	40	ns	
			GND	4.5V	5	12	15	ns	
			-4.5V	4.5V	4	8	12	ns	
			-6.0V	6.0V	3	7	11	ns	
t _{PZL} , t _{PZH}	Maximum Switch Turn "ON" Delay	R _L = 1 kΩ	GND	3.3V	92	200	250	ns	
			GND	4.5V		69	87	ns	
			-4.5V	4.5V	16	46	58	ns	
			-6.0V	6.0V	15	41	51	ns	
t _{PHZ} , t _{PLZ}	Maximum Switch Turn "OFF" Delay		GND	3.3V	65	170	210	ns	
			GND	4.5V	28	58	73	ns	
			-4.5V	4.5V	18	37	46	ns	
			-6.0V	6.0V	16	32	41	ns	
f _{MAX}	Minimum Switch Frequency Response 20 log (V _I /V _O) = 3 dB		GND	4.5V	30			MHz	
			-4.5V	4.5V	35			MHz	
	Control to Switch Feedthrough Noise	R _L = 600Ω, f = 1 MHz, C _L = 50 pF	V _{IS} = 4 V _{PP} V _{IS} = 8 V _{PP}	0V -4.5V	4.5V 4.5V	1080 250		mV mV	
	Crosstalk between any Two Switches	R _L = 600Ω, f = 1 MHz	V _{IS} = 4 V _{PP} V _{IS} = 8 V _{PP}	0V -4.5V	4.5V 4.5V	-52 -50		dB dB	
	Switch OFF Signal Feedthrough Isolation	R _L = 600Ω, f = 1 MHz, V _{CTL} = V _{IL}	V _{IS} = 4 V _{PP} V _{IS} = 8 V _{PP}	0V -4.5V	4.5V 4.5V	-42 -44		dB dB	
THD	Sinewave Harmonic Distortion	R _L = 10 kΩ, C _L = 50 pF, f = 1 kHz	V _{IS} = 4 V _{PP} V _{IS} = 8 V _{PP}	0V	4.5V	0.013		%	
				-4.5V	4.5V	0.008		%	
C _{IN}	Maximum Control Input Capacitance					5	10	10	pF
C _{IN}	Maximum Switch Input Capacitance	Input 4051 Common 4052 Common 4053 Common				15			pF
						90			
						45			
						30			
C _{IN}	Maximum Feedthrough Capacitance					5			pF

AC Test Circuits and Switching Time Waveforms

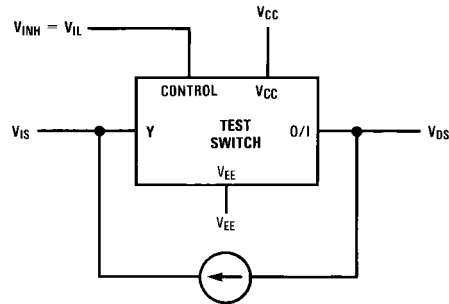


FIGURE 1. "ON" Resistance

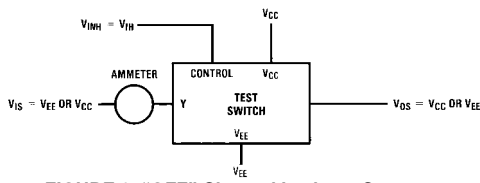


FIGURE 2. "OFF" Channel Leakage Current

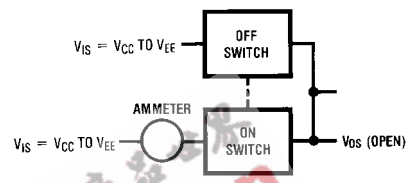


FIGURE 3. "ON" Channel Leakage Current

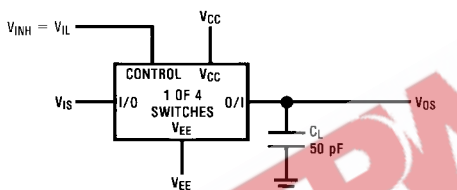


FIGURE 4. t_{PHL} , t_{PLH} Propagation Delay Time Signal Input to Signal Output

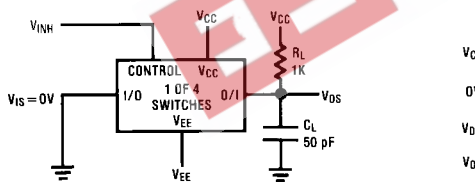
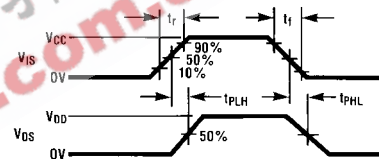


FIGURE 5. t_{PZL} , t_{PLZ} Propagation Delay Time Control to Signal Output

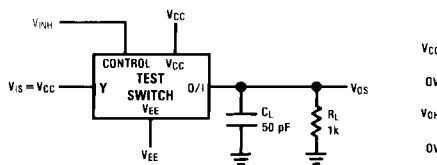
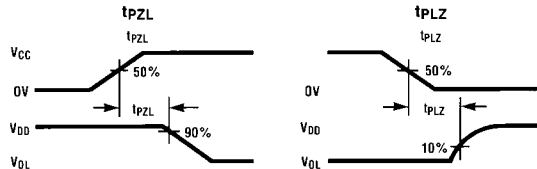


FIGURE 6. t_{PZH} , t_{PHZ} Propagation Delay Time Control to Signal Output

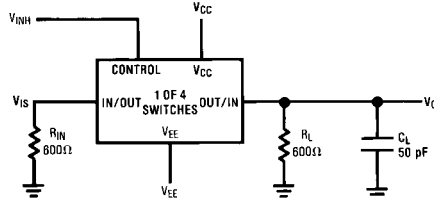
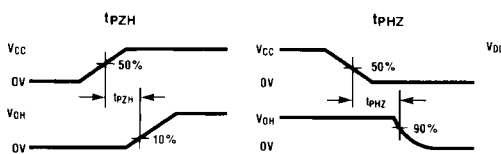
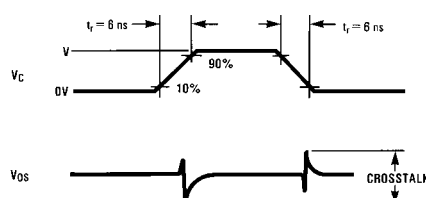


FIGURE 7. Crosstalk: Control Input to Signal Output



AC Test Circuits and Switching Time Waveforms (Continued)

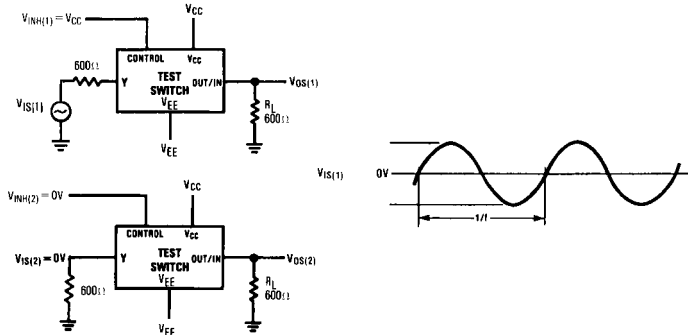
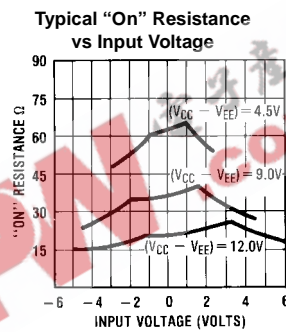


FIGURE 8. Crosstalk Between Any Two Switches

Typical Performance Characteristics

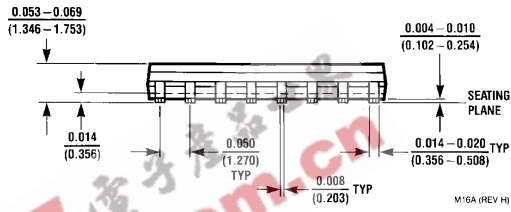
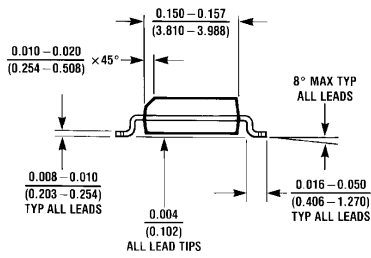
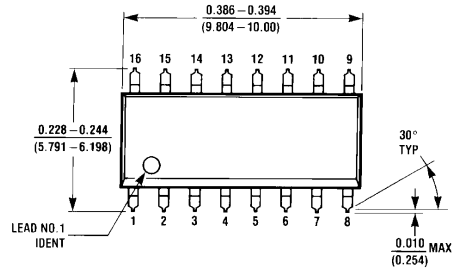


V_{CC} = -V_{EE}

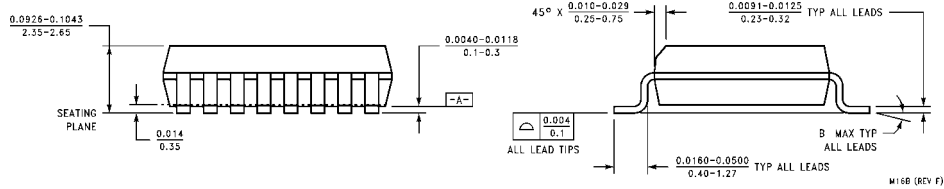
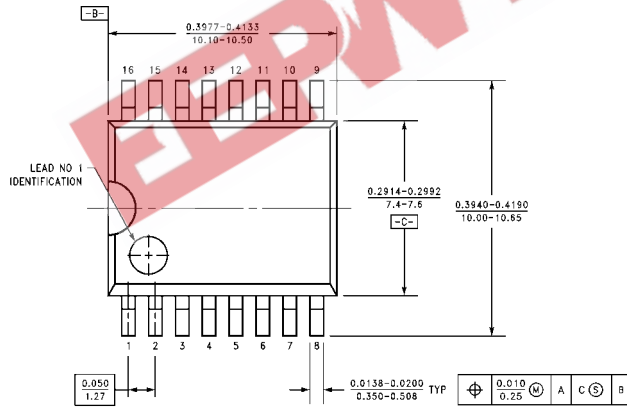
Special Considerations

In certain applications the external load-resistor current may include both V_{CC} and signal line components. To avoid drawing V_{CC} current when switch current flows into the analog switch pins, the voltage drop across the switch must not exceed 1.2V (calculated from the ON resistance).

Physical Dimensions inches (millimeters) unless otherwise noted

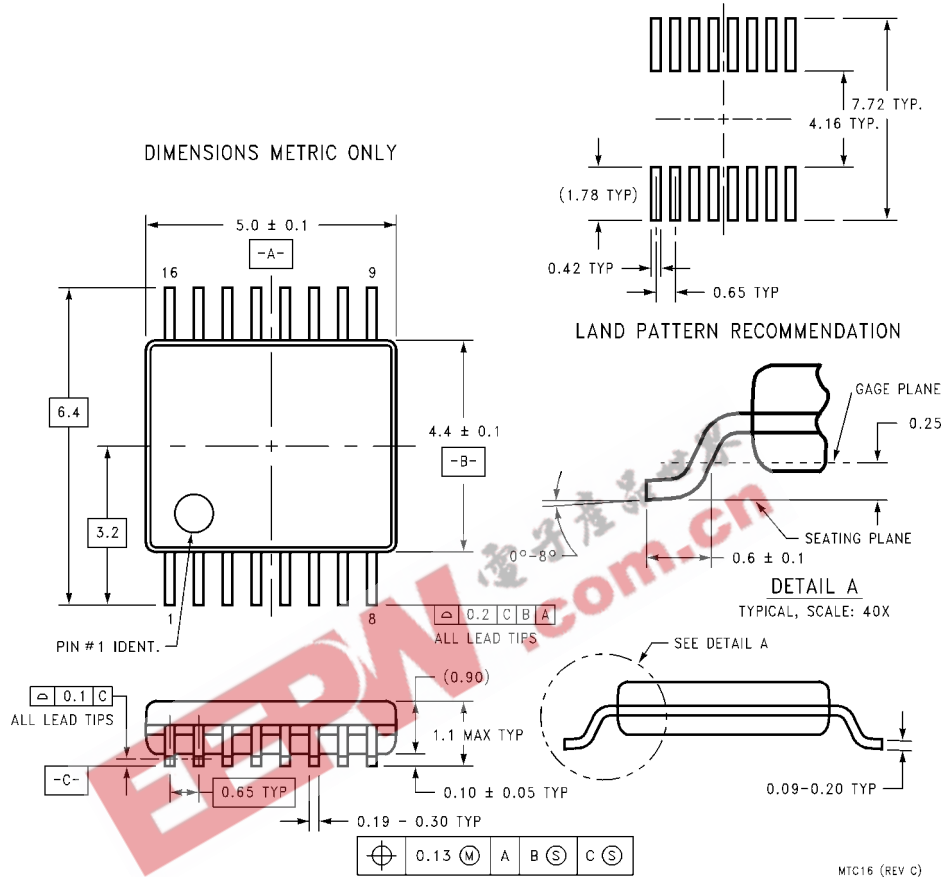


16-Lead Small Outline Integrated Circuit (SOIC), JEDEC MS-012, 0.150" Narrow Package Number M16A



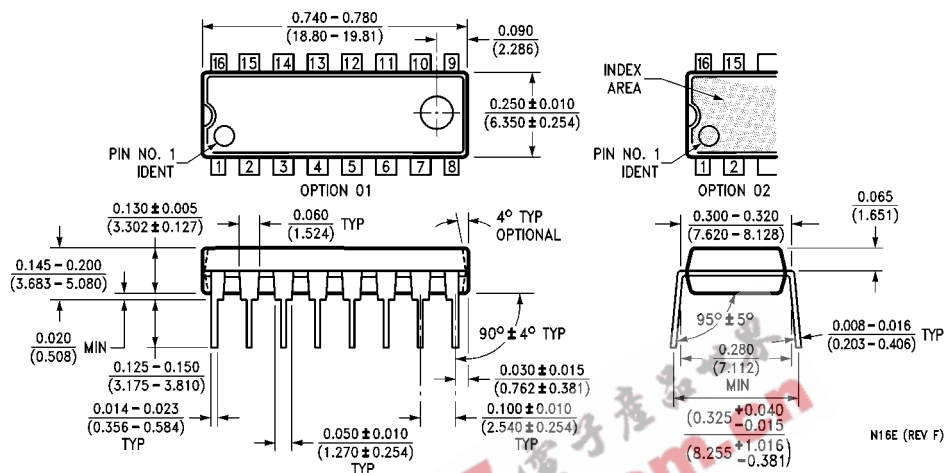
16-Lead Small Outline Intergrated Circuit (SOIC), JEDEC MS-013, 0.300" Wide Package Number M16B

Physical Dimensions inches (millimeters) unless otherwise noted (Continued)



**16-Lead Thin Shrink Small Outline Package (TSSOP), JEDEC MO-153, 4.4mm Wide
Package Number MTC16**

Physical Dimensions inches (millimeters) unless otherwise noted (Continued)



16-Lead Plastic Dual-In-Line Package (PDIP), JEDEC MS-001, 0.300" Wide Package Number N16E

LIFE SUPPORT POLICY

FAIRCHILD'S PRODUCTS ARE NOT AUTHORIZED FOR USE AS CRITICAL COMPONENTS IN LIFE SUPPORT DEVICES OR SYSTEMS WITHOUT THE EXPRESS WRITTEN APPROVAL OF THE PRESIDENT OF FAIRCHILD SEMICONDUCTOR CORPORATION. As used herein:

1. Life support devices or systems are devices or systems which, (a) are intended for surgical implant into the body, or (b) support or sustain life, and (c) whose failure to perform when properly used in accordance with instructions for use provided in the labeling, can be reasonably expected to result in a significant injury to the user.
2. A critical component in any component of a life support device or system whose failure to perform can be reasonably expected to cause the failure of the life support device or system, or to affect its safety or effectiveness.

www.fairchildsemi.com