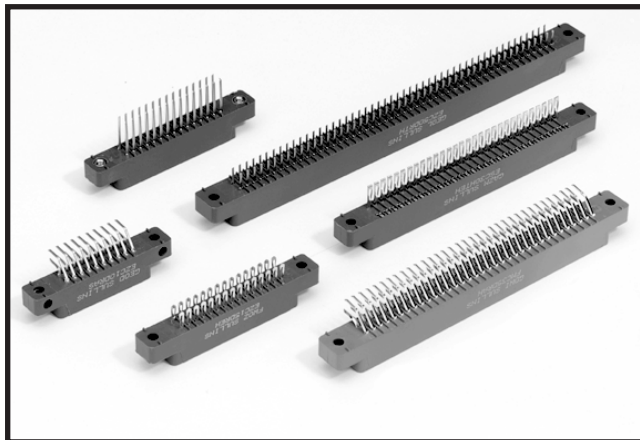


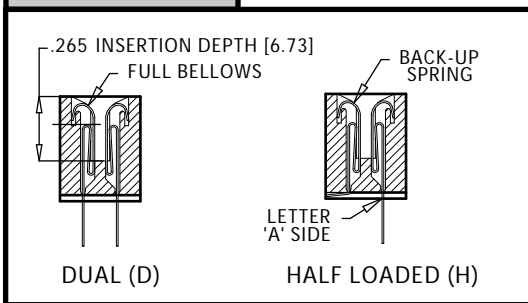
.100" [2.54mm] CONTACT CENTERS, .431" INSULATOR HEIGHT

FEATURES

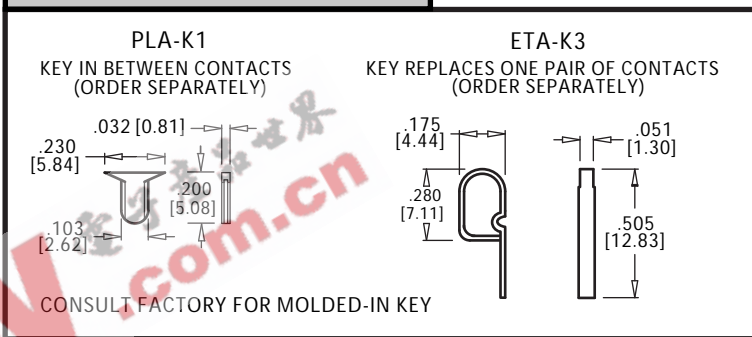
- * Accommodates .062" ± .008" PC board
(Consult factory for .032", .093" and .125" thick boards)
- * PBT or PPS insulator
- * Molded-in key available
- * 3 amp current rating
- * 10 milli ohm maximum at rated current



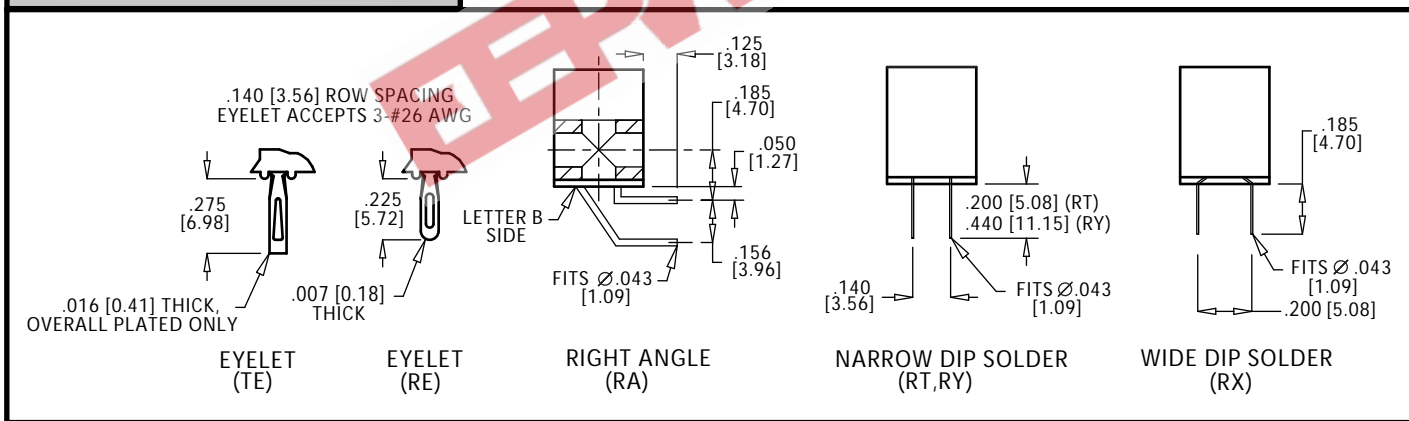
READOUT



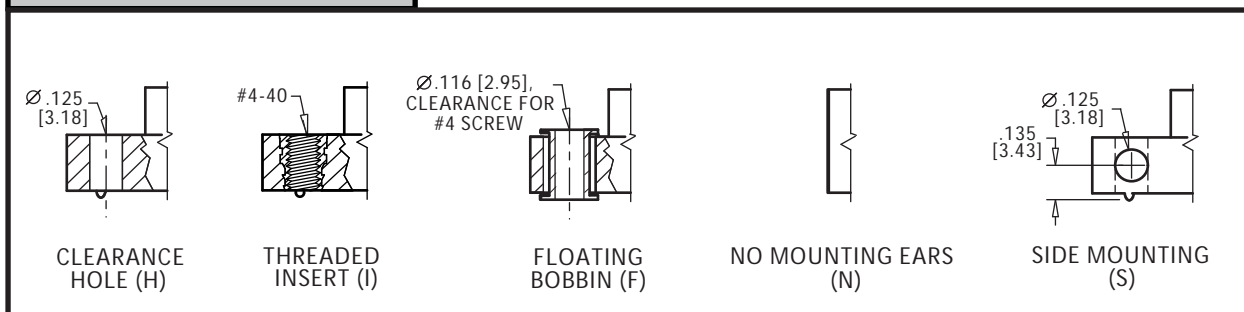
POLARIZING KEYS



TERMINATION TYPE



MOUNTING STYLE



.100" [2.54mm] CONTACT CENTERS, .431" INSULATOR HEIGHT

PART NUMBER CODING

E Z C 43 D R E H -S13

MATERIALS (Insulator/Contact)

- E = PBT/Phosphor Bronze (Standard)
- H = PBT/Beryllium Copper
- R = PPS/Phosphor Bronze
- A = PPS/Beryllium Copper
- C = PPS/Beryllium Nickel (Consult Factory)
- N = PEEK/Beryllium Copper (Consult Factory)
- W = PEEK/Beryllium Nickel (Consult Factory)
- F = PPS/PfInodal*** (Consult Factory)

Consult Factory for Other Materials

CONTACT FINISH

| Contact Surface | Termination | Underplate |
|-------------------|-----------------|-----------------|
| Z = .00010" Gold | .000100" Tin | .000050" Nickel |
| X = .000030" Gold | .000100" Tin | .000050" Nickel |
| G = .000010" Gold | .000005" Gold | .000050" Nickel |
| Y = .000030" Gold | .000005" Gold | .000050" Nickel |
| Contact Surface | Overall Plating | Underplate |
| T = .000100" Tin | .000100" Tin | .000050" Nickel |
| S = .000010" Gold | .000010" Gold | .000050" Nickel |
| M = .000030" Gold | .000010" Gold | .000050" Nickel |

CONTACT CENTERS

C = .100" [2.54 mm]

MODIFICATIONS (Consult Factory)

- Omit for Standard
- S13 = Card Extender For .062" [1.58 mm] Thick PCB
- S93 = .093" [2.36 mm] Thick PCB

MOUNTING STYLE (Opposite page)

- H = .125" [3.18 mm] Clearance Holes
- N = No Mounting
- S = Side Mounting
- I = Threaded Insert
- F = Floating Bobbin

TERMINATION TYPE (Opposite page)

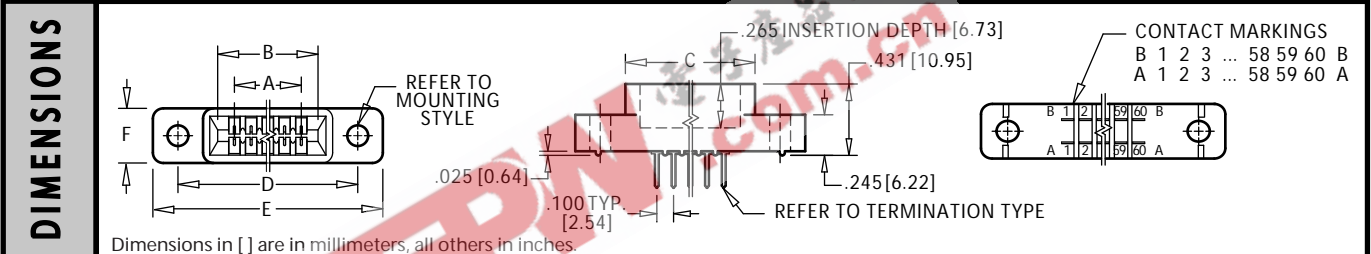
- RA = Right Angle
- RE = Eyelet (Standard)
- TE = Eyelet (Overall Plated Only)
- RT = .140" [3.56 mm] x .200" [5.08 mm] Dip Solder
- RY = .140" [3.56 mm] x .440" [11.18 mm] Dip Solder
- RX = .200" [5.08 mm] x .185" [4.70 mm] Dip Solder

READOUT (Opposite page)

- D = Dual
- H = Half Loaded

NUMBER OF CONTACT POSITIONS

05 thru 60



| PART NUMBER** | NUMBER OF CONTACTS | INCHES | | | | | MILLIMETERS | | | | | | |
|---------------|--------------------|---------|---------|---------|---------|---------|-------------|---------|---------|---------|---------|---------|---------|
| | | A ±.008 | B ±.008 | C ±.015 | D ±.010 | E ±.020 | F ±.005 | A ±0.20 | B ±0.20 | C ±0.38 | D ±0.25 | E ±0.51 | F ±0.13 |
| EZC04 ___* | 4/8 | 0.300 | 0.500 | 0.675 | 0.975 | 1.275 | | 7.62 | 12.70 | 17.15 | 24.77 | 32.39 | |
| EZC05 ___ | 5/10 | 0.400 | 0.600 | 0.775 | 1.075 | 1.375 | | 10.16 | 15.24 | 19.69 | 27.31 | 34.93 | |
| EZC06 ___ | 6/12 | 0.500 | 0.700 | 0.875 | 1.175 | 1.475 | | 12.70 | 17.78 | 22.23 | 29.85 | 37.47 | |
| EZC07 ___* | 7/14 | 0.600 | 0.800 | 0.975 | 1.275 | 1.575 | | 15.24 | 20.32 | 24.77 | 32.39 | 40.01 | |
| EZC08 ___ | 8/16 | 0.700 | 0.900 | 1.075 | 1.375 | 1.675 | | 17.78 | 22.86 | 27.31 | 34.93 | 42.55 | |
| EZC10 ___ | 10/20 | 0.900 | 1.100 | 1.275 | 1.575 | 1.875 | | 22.86 | 27.94 | 32.39 | 40.01 | 47.63 | |
| EZC12 ___ | 12/24 | 1.100 | 1.300 | 1.475 | 1.775 | 2.075 | | 27.94 | 33.02 | 37.47 | 45.09 | 52.71 | |
| EZC13 ___ | 13/26 | 1.200 | 1.400 | 1.575 | 1.875 | 2.175 | | 30.48 | 35.56 | 40.01 | 47.63 | 55.25 | |
| EZC15 ___ | 15/30 | 1.400 | 1.600 | 1.775 | 2.075 | 2.375 | | 35.56 | 40.64 | 45.09 | 52.71 | 60.33 | |
| EZC17 ___ | 17/34 | 1.600 | 1.800 | 1.975 | 2.275 | 2.575 | | 40.64 | 45.72 | 50.17 | 57.79 | 65.41 | |
| EZC18 ___ | 18/36 | 1.700 | 1.900 | 2.075 | 2.375 | 2.675 | .330 | 43.18 | 48.26 | 52.71 | 60.33 | 67.95 | 8.38 |
| EZC19 ___ | 19/38 | 1.800 | 2.000 | 2.175 | 2.475 | 2.775 | | 45.72 | 50.80 | 55.25 | 62.87 | 70.49 | |
| EZC20 ___ | 20/40 | 1.900 | 2.100 | 2.275 | 2.575 | 2.875 | | 48.26 | 53.34 | 57.79 | 65.41 | 73.03 | |
| EZC22 ___ | 22/44 | 2.100 | 2.300 | 2.475 | 2.775 | 3.075 | | 53.34 | 58.42 | 62.87 | 70.49 | 78.11 | |
| EZC23 ___* | 23/46 | 2.200 | 2.400 | 2.575 | 2.875 | 3.175 | | 55.88 | 60.96 | 65.41 | 73.03 | 80.65 | |
| EZC25 ___ | 25/50 | 2.400 | 2.600 | 2.775 | 3.075 | 3.375 | | 60.96 | 66.04 | 70.49 | 78.11 | 85.73 | |
| EZC26 ___ | 26/52 | 2.500 | 2.700 | 2.875 | 3.175 | 3.475 | | 63.50 | 68.58 | 73.03 | 80.65 | 88.27 | |
| EZC28 ___ | 28/56 | 2.700 | 2.900 | 3.075 | 3.375 | 3.675 | | 68.58 | 73.66 | 78.11 | 85.73 | 93.35 | |
| EZC30 ___ | 30/60 | 2.900 | 3.100 | 3.275 | 3.575 | 3.875 | | 73.66 | 78.74 | 83.19 | 90.81 | 98.43 | |
| EZC31 ___ | 31/62 | 3.000 | 3.200 | 3.375 | 3.675 | 3.975 | | 76.20 | 81.28 | 85.73 | 93.35 | 100.97 | |
| EZC35 ___ | 35/70 | 3.400 | 3.600 | 3.775 | 4.075 | 4.375 | | 86.36 | 91.44 | 95.89 | 103.51 | 111.13 | |
| EZC36 ___ | 36/72 | 3.500 | 3.700 | 3.875 | 4.175 | 4.475 | | 88.90 | 93.98 | 98.43 | 106.05 | 113.67 | |
| EZC40 ___ | 40/80 | 3.900 | 4.100 | 4.275 | 4.575 | 4.875 | | 99.06 | 104.14 | 108.59 | 116.21 | 123.83 | |
| EZC43 ___ | 43/86 | 4.200 | 4.400 | 4.575 | 4.875 | 5.175 | | 106.68 | 111.76 | 116.21 | 123.83 | 131.45 | |
| EZC44 ___ | 44/88 | 4.300 | 4.500 | 4.675 | 4.975 | 5.275 | .400 | 109.22 | 114.30 | 118.75 | 126.37 | 133.99 | 10.16 |
| EZC49 ___ | 49/98 | 4.800 | 5.000 | 5.175 | 5.475 | 5.775 | | 121.92 | 127.00 | 131.45 | 139.07 | 146.69 | |
| EZC50 ___ | 50/100 | 4.900 | 5.100 | 5.275 | 5.575 | 5.875 | | 124.46 | 129.54 | 133.99 | 141.61 | 149.23 | |
| EZC52 ___* | 52/104 | 5.100 | 5.300 | 5.475 | 5.775 | 6.075 | | 129.54 | 134.62 | 139.07 | 146.69 | 154.31 | |
| EZC60 ___ | 60/120 | 5.900 | 6.100 | 6.275 | 6.575 | 6.875 | | 149.86 | 154.94 | 159.39 | 167.01 | 174.63 | |

* Consult factory for availability.
 ** For complete part number, add readout, termination type and mounting style from Part Number Coding (e.g. EZC43DREH).
 *** Request special soldering instructions before use of Pfinodal material. Low tin solder, non-aggressive flux, and special soldering method required.