

2.54mm (0.100") PITCH CONNECTOR

ZIF
type

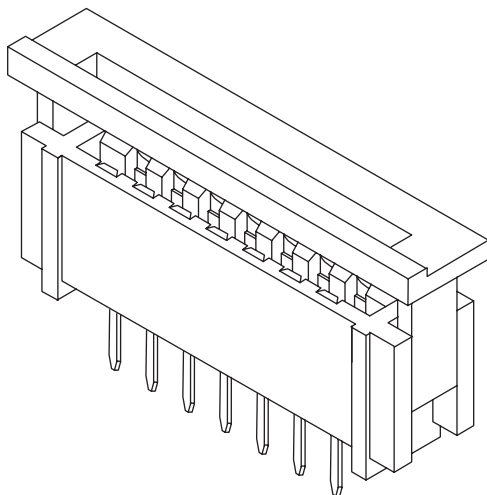
DIP
type

FFC/FPC Connector
Housing

FCZ254-NNS Series

DIP, ZIF

Straight



Material

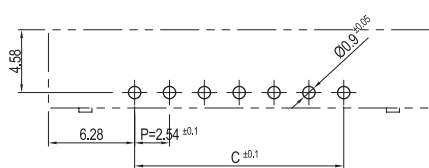
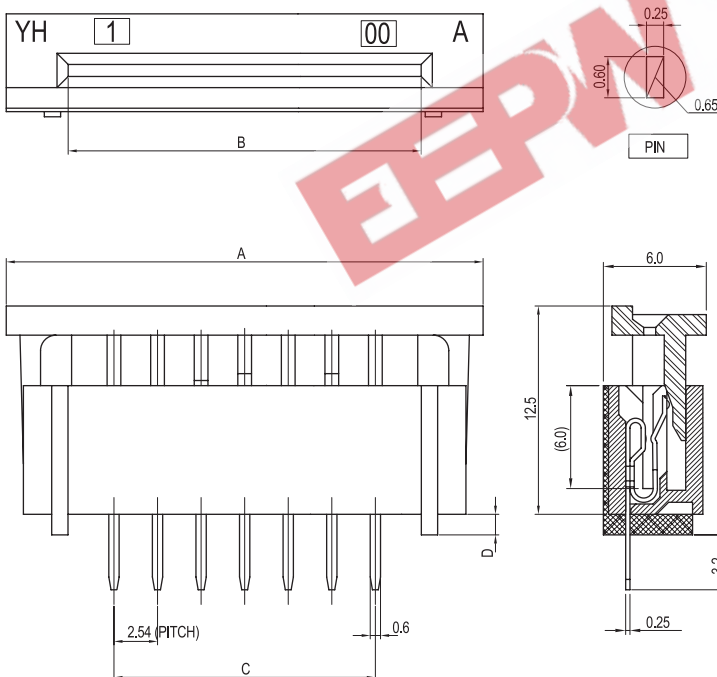
I/NO	DESCRIPTION	TITLE	MATERIAL
1	HOUSING	FCZ254-NNS	PBT, UL94 V Grade
2	ACTUATOR		PBT, UL94 V Grade
3	TERMINAL	FCZ254	Phosphor Bronze & Tin-Plated

Available Pin

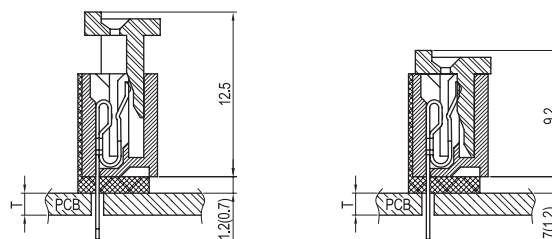
PARTS NO.	DIM. A	DIM. B	DIM. C	DIM. C
FCZ254-08S	30.34	23.12	17.78	0.7(1.2)
FCZ254-09S	32.88	25.66	20.32	0.7(1.2)
FCZ254-10S	35.42	28.20	22.86	0.7(1.2)
FCZ254-11S	37.96	30.74	25.4	0.7(1.2)
FCZ254-12S	40.50	33.28	27.94	0.7(1.2)
FCZ254-13S	43.04	35.82	30.48	0.7(1.2)
FCZ254-14S	45.58	38.36	33.02	0.7(1.2)
FCZ254-16S	50.66	43.44	38.10	0.7(1.2)
FCZ254-17S	53.20	45.98	40.64	0.7(1.2)

Specification

ITEM	SPEC
Voltage Rating	AC/DC 250V
Current Rating	AC/DC 1A
Operating Temperature	-25°C ~ +85°C
Contact Resistance	30mΩ MAX
Withstanding Voltage	AC1000V/1min
Insulation Resistance	1000MΩ MIN
Applicable Wire	-
Applicable P.C.B	1.2 ~ 1.6mm
Applicable FPC/FFC	0.30±0.05mm
Solder Height	-
Crimp Tensile Strength	-
UL FILE NO	E108706



PCB LAYOUT



Actuator Open

Actuator Close

PCB ASSY