

2.54mm (0.100") PITCH CONNECTOR

ZIF
type

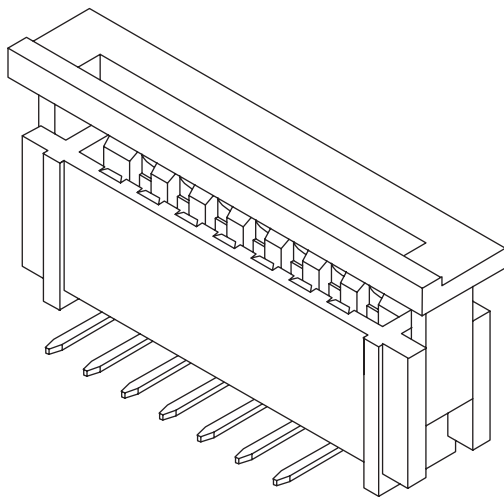
DIP
type

FFC/FPC Connector
Housing

FCZ254-NNR Series

DIP, ZIF

Right Angle



Material

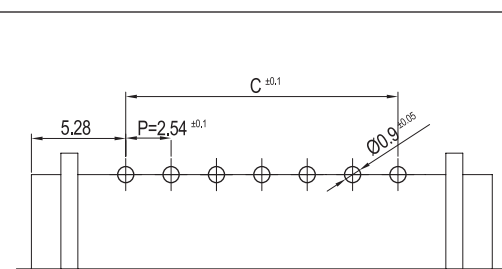
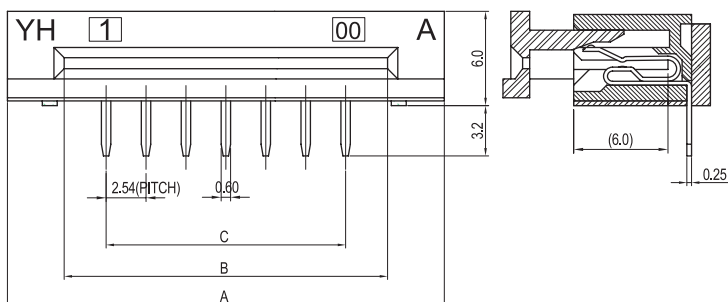
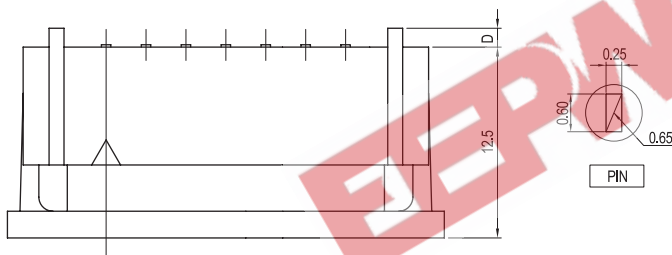
| I/NO | DESCRIPTION | TITLE | MATERIAL |
|------|-------------|------------|------------------------------|
| 1 | HOUSING | FCZ254-NNR | PBT, UL94 V Grade |
| 2 | ACTUATOR | | PBT, UL94 V Grade |
| 3 | TERMINAL | FCZ254 | Phosphor Bronze & Tin-Plated |

Available Pin

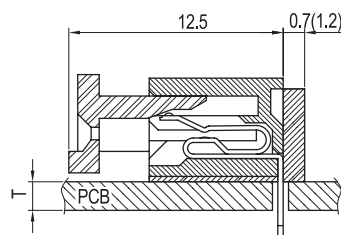
| PARTS NO. | A | B | C | C |
|------------|-------|-------|-------|----------|
| FCZ254-08R | 30.34 | 23.12 | 17.78 | 0.7(1.2) |
| FCZ254-09R | 32.88 | 25.66 | 20.32 | 0.7(1.2) |
| FCZ254-10R | 35.42 | 28.20 | 22.86 | 0.7(1.2) |
| FCZ254-11R | 37.96 | 30.74 | 25.4 | 0.7(1.2) |
| FCZ254-12R | 40.50 | 33.28 | 27.94 | 0.7(1.2) |
| FCZ254-13R | 43.04 | 35.82 | 30.48 | 0.7(1.2) |
| FCZ254-14R | 45.58 | 38.36 | 33.02 | 0.7(1.2) |
| FCZ254-16R | 50.66 | 43.44 | 38.10 | 0.7(1.2) |
| FCZ254-17R | 53.20 | 45.98 | 40.64 | 0.7(1.2) |

Specification

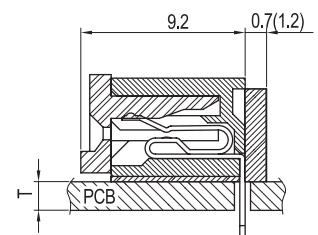
| ITEM | SPEC |
|------------------------|---------------|
| Voltage Rating | AC/DC 250V |
| Current Rating | AC/DC 1A |
| Operating Temperature | -25°C ~ +85°C |
| Contact Resistance | 30mΩ MAX |
| Withstanding Voltage | AC1000V/1min |
| Insulation Resistance | 1000MΩ MIN |
| Applicable Wire | - |
| Applicable P.C.B | 1.2 ~ 1.6mm |
| Applicable FPC/FFC | 0.30±0.05mm |
| Solder Height | - |
| Crimp Tensile Strength | - |
| UL FILE NO | E108706 |



PCB LAYOUT



Actuator Open



Actuator Close

PCB ASSY