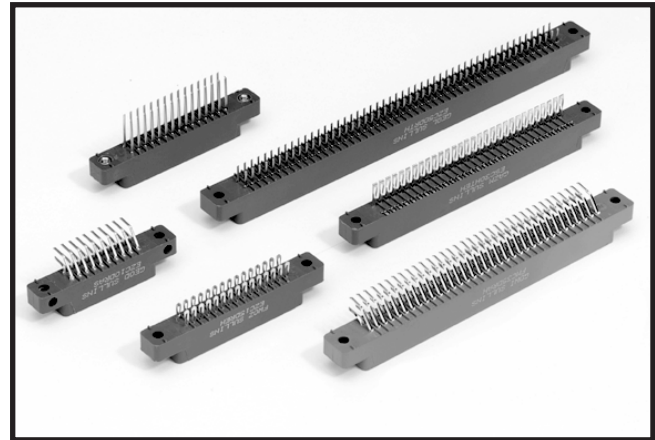


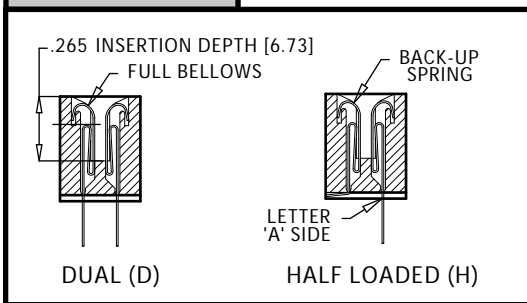
# .100" [2.54mm] CONTACT CENTERS, .431" INSULATOR HEIGHT

## FEATURES

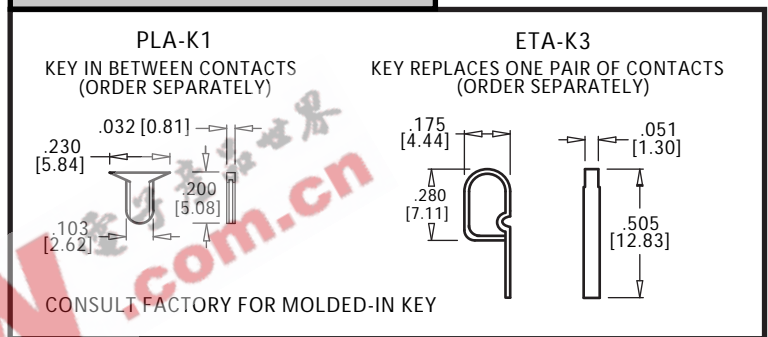
- \* Accommodates .062" ± .008" PC board  
(Consult factory for .032", .093" and .125" thick boards)
- \* PBT or PPS insulator
- \* Molded-in key available
- \* 3 amp current rating
- \* 10 milli ohm maximum at rated current



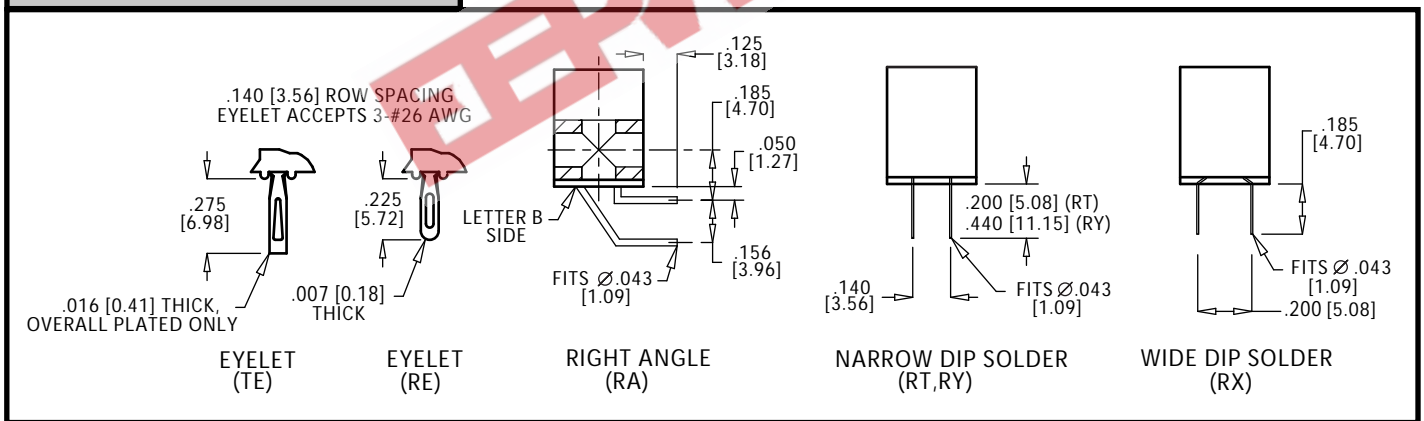
## READOUT



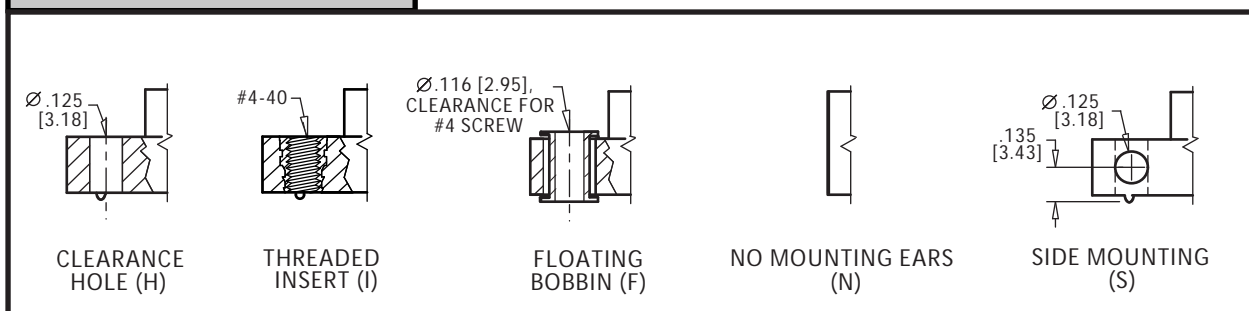
## POLARIZING KEYS



## TERMINATION TYPE



## MOUNTING STYLE



# .100" [2.54mm] CONTACT CENTERS, .431" INSULATOR HEIGHT

## PART NUMBER CODING

E Z C 43 D R E H -S13

**MATERIALS (Insulator/Contact)**

- E = PBT/Phosphor Bronze (Standard)
- H = PBT/Beryllium Copper
- R = PPS/Phosphor Bronze
- A = PPS/Beryllium Copper
- C = PPS/Beryllium Nickel (Consult Factory)
- N = PEEK/Beryllium Copper (Consult Factory)
- W = PEEK/Beryllium Nickel (Consult Factory)
- F = PPS/PfInodal\*\*\* (Consult Factory)

Consult Factory for Other Materials

**CONTACT FINISH**

Contact Surface	Termination	Underplate
Z = .00010" Gold	.000100" Tin	.000050" Nickel
X = .000030" Gold	.000100" Tin	.000050" Nickel
G = .000010" Gold	.000005" Gold	.000050" Nickel
Y = .000030" Gold	.000005" Gold	.000050" Nickel
Contact Surface	Overall Plating	Underplate
T = .000100" Tin	.000100" Tin	.000050" Nickel
S = .000010" Gold	.000010" Gold	.000050" Nickel
M = .000030" Gold	.000010" Gold	.000050" Nickel

**CONTACT CENTERS**

C = .100" [2.54 mm]

**MODIFICATIONS (Consult Factory)**

- Omit for Standard
- S13 = Card Extender For .062" [1.58 mm] Thick PCB
- S93 = .093" [2.36 mm] Thick PCB

**MOUNTING STYLE (Opposite page)**

- H = .125" [3.18 mm] Clearance Holes
- N = No Mounting
- S = Side Mounting
- I = Threaded Insert
- F = Floating Bobbin

**TERMINATION TYPE (Opposite page)**

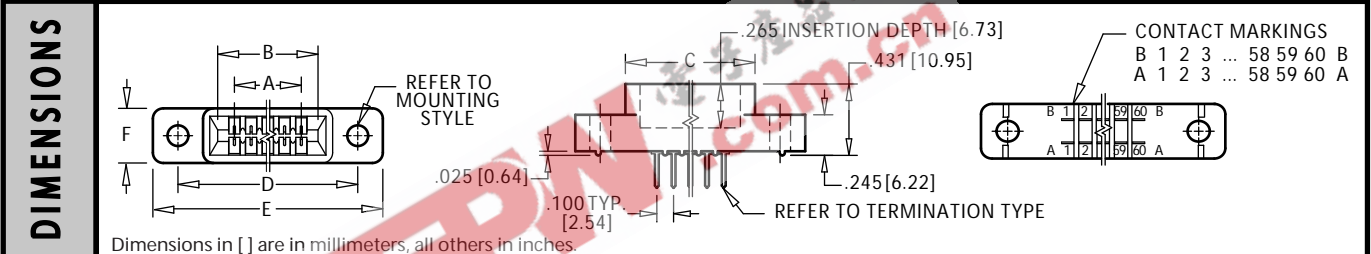
- RA = Right Angle
- RE = Eyelet (Standard)
- TE = Eyelet (Overall Plated Only)
- RT = .140" [3.56 mm] x .200" [5.08 mm] Dip Solder
- RY = .140" [3.56 mm] x .440" [11.18 mm] Dip Solder
- RX = .200" [5.08 mm] x .185" [4.70 mm] Dip Solder

**READOUT (Opposite page)**

- D = Dual
- H = Half Loaded

**NUMBER OF CONTACT POSITIONS**

05 thru 60



PART NUMBER**	NUMBER OF CONTACTS	INCHES					MILLIMETERS						
		A ±.008	B ±.008	C ±.015	D ±.010	E ±.020	F ±.005	A ±0.20	B ±0.20	C ±0.38	D ±0.25	E ±0.51	F ±0.13
EZC04 ___*	4/8	0.300	0.500	0.675	0.975	1.275		7.62	12.70	17.15	24.77	32.39	
EZC05 ___	5/10	0.400	0.600	0.775	1.075	1.375		10.16	15.24	19.69	27.31	34.93	
EZC06 ___	6/12	0.500	0.700	0.875	1.175	1.475		12.70	17.78	22.23	29.85	37.47	
EZC07 ___*	7/14	0.600	0.800	0.975	1.275	1.575		15.24	20.32	24.77	32.39	40.01	
EZC08 ___	8/16	0.700	0.900	1.075	1.375	1.675		17.78	22.86	27.31	34.93	42.55	
EZC10 ___	10/20	0.900	1.100	1.275	1.575	1.875		22.86	27.94	32.39	40.01	47.63	
EZC12 ___	12/24	1.100	1.300	1.475	1.775	2.075		27.94	33.02	37.47	45.09	52.71	
EZC13 ___	13/26	1.200	1.400	1.575	1.875	2.175		30.48	35.56	40.01	47.63	55.25	
EZC15 ___	15/30	1.400	1.600	1.775	2.075	2.375		35.56	40.64	45.09	52.71	60.33	
EZC17 ___	17/34	1.600	1.800	1.975	2.275	2.575		40.64	45.72	50.17	57.79	65.41	
EZC18 ___	18/36	1.700	1.900	2.075	2.375	2.675	.330	43.18	48.26	52.71	60.33	67.95	8.38
EZC19 ___	19/38	1.800	2.000	2.175	2.475	2.775		45.72	50.80	55.25	62.87	70.49	
EZC20 ___	20/40	1.900	2.100	2.275	2.575	2.875		48.26	53.34	57.79	65.41	73.03	
EZC22 ___	22/44	2.100	2.300	2.475	2.775	3.075		53.34	58.42	62.87	70.49	78.11	
EZC23 ___*	23/46	2.200	2.400	2.575	2.875	3.175		55.88	60.96	65.41	73.03	80.65	
EZC25 ___	25/50	2.400	2.600	2.775	3.075	3.375		60.96	66.04	70.49	78.11	85.73	
EZC26 ___	26/52	2.500	2.700	2.875	3.175	3.475		63.50	68.58	73.03	80.65	88.27	
EZC28 ___	28/56	2.700	2.900	3.075	3.375	3.675		68.58	73.66	78.11	85.73	93.35	
EZC30 ___	30/60	2.900	3.100	3.275	3.575	3.875		73.66	78.74	83.19	90.81	98.43	
EZC31 ___	31/62	3.000	3.200	3.375	3.675	3.975		76.20	81.28	85.73	93.35	100.97	
EZC35 ___	35/70	3.400	3.600	3.775	4.075	4.375		86.36	91.44	95.89	103.51	111.13	
EZC36 ___	36/72	3.500	3.700	3.875	4.175	4.475		88.90	93.98	98.43	106.05	113.67	
EZC40 ___	40/80	3.900	4.100	4.275	4.575	4.875		99.06	104.14	108.59	116.21	123.83	
EZC43 ___	43/86	4.200	4.400	4.575	4.875	5.175		106.68	111.76	116.21	123.83	131.45	
EZC44 ___	44/88	4.300	4.500	4.675	4.975	5.275	.400	109.22	114.30	118.75	126.37	133.99	10.16
EZC49 ___	49/98	4.800	5.000	5.175	5.475	5.775		121.92	127.00	131.45	139.07	146.69	
EZC50 ___	50/100	4.900	5.100	5.275	5.575	5.875		124.46	129.54	133.99	141.61	149.23	
EZC52 ___*	52/104	5.100	5.300	5.475	5.775	6.075		129.54	134.62	139.07	146.69	154.31	
EZC60 ___	60/120	5.900	6.100	6.275	6.575	6.875		149.86	154.94	159.39	167.01	174.63	

\* Consult factory for availability.  
 \*\* For complete part number, add readout, termination type and mounting style from Part Number Coding (e.g. EZC43DREH).  
 \*\*\* Request special soldering instructions before use of Pfinodal material. Low tin solder, non-aggressive flux, and special soldering method required.