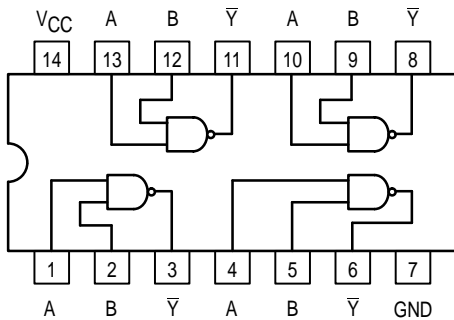


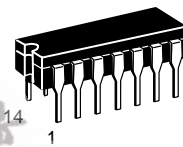


QUAD 2-INPUT NAND BUFFER

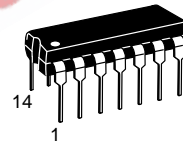


MC74F37

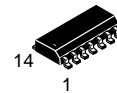
**QUAD 2-INPUT
NAND BUFFER**
FAST™ SCHOTTKY TTL



J SUFFIX
CERAMIC
CASE 632-08



N SUFFIX
PLASTIC
CASE 646-06



D SUFFIX
SOIC
CASE 751A-02

ORDERING INFORMATION

MC74FXXJ Ceramic
MC74FXXN Plastic
MC74FXXD SOIC

GUARANTEED OPERATING RANGES

Symbol	Parameter		Min	Typ	Max	Unit
V _{CC}	Supply Voltage	74	4.5	5.0	5.5	V
T _A	Operating Ambient Temperature Range	74	0	25	70	°C
I _{OH}	Output Current — High	74			-15	mA
I _{OL}	Output Current — Low	74			64	mA

MC74F37

DC CHARACTERISTICS OVER OPERATING TEMPERATURE RANGE (unless otherwise specified)

Symbol	Parameter	Limits			Unit	Test Conditions	
		Min	Typ	Max			
V _{IH}	Input HIGH Voltage	2.0			V	Guaranteed Input HIGH Voltage	
V _{IL}	Input LOW Voltage			0.8	V	Guaranteed Input LOW Voltage	
V _{IK}	Input Clamp Diode Voltage			-1.2	V	V _{CC} = MIN, I _{IN} = -18 mA	
V _{OH}	Output HIGH Voltage	74	2.0		V	I _{OH} = -15 mA	V _{CC} = 4.50 V
		74	2.4		V	I _{OH} = -1.0 mA	
		74	2.7		V	I _{OH} = -1.0 mA	V _{CC} = 4.75 V
V _{OL}	Output LOW Voltage			0.55	V	I _{OL} = 64 mA	V _{CC} = MIN
I _{IH}	Input HIGH Current			20	μA	V _{CC} = MAX, V _{IN} = 2.7 V	
				0.1	mA	V _{CC} = MAX, V _{IN} = 7.0 V	
I _{IL}	Input LOW Current			-1.2	mA	V _{CC} = MAX, V _{IN} = 0.5 V	
I _{OS}	Output Short Circuit Current (Note 2)	-100		-225	mA	V _{CC} = MAX, V _{OUT} = 0 V	
I _{CC}	Power Supply Current Total, Output HIGH			6	mA	V _{CC} = MAX, V _{IN} = GND	
	Total, Output LOW			33	mA	V _{CC} = MAX, V _{IN} = Open	

NOTES:

- For conditions shown as MIN or MAX, use the appropriate value specified under recommended operating conditions for the applicable device type.
- Not more than one output should be shorted at a time, nor for more than 1 second.

AC CHARACTERISTICS

Symbol	Parameter	74F		74F		Unit
		T _A = +25°C		T _A = 0°C to 70°C		
		Min	Max	Min	Max	
t _{PLH}	Propagation Delay	1.5	5.5	1.5	6.5	ns
t _{PHL}	Propagation Delay	1.0	4.5	1.0	5.0	ns

V_{CC} = +5.0 V
 C_L = 50 pF

FUNCTION TABLE

Inputs		Output
A	B	\bar{Y}
L	L	H
L	H	H
H	L	H
H	H	L

H = HIGH Voltage Level

L = LOW Voltage Level

X = Don't Care