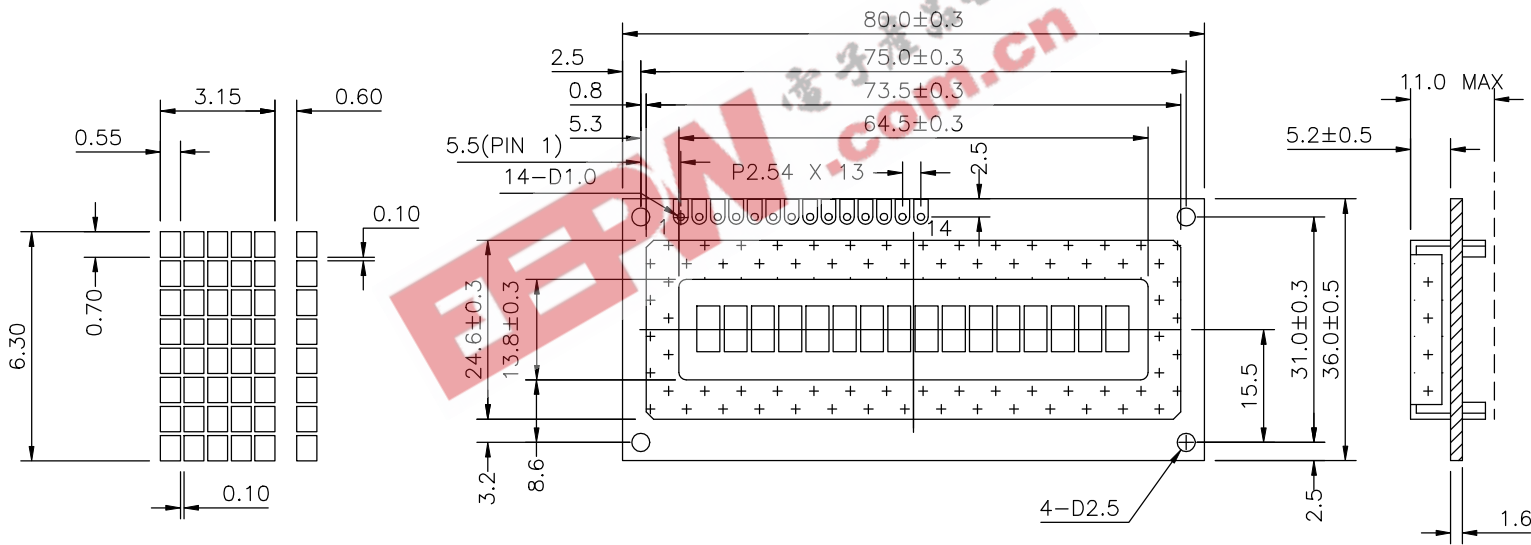


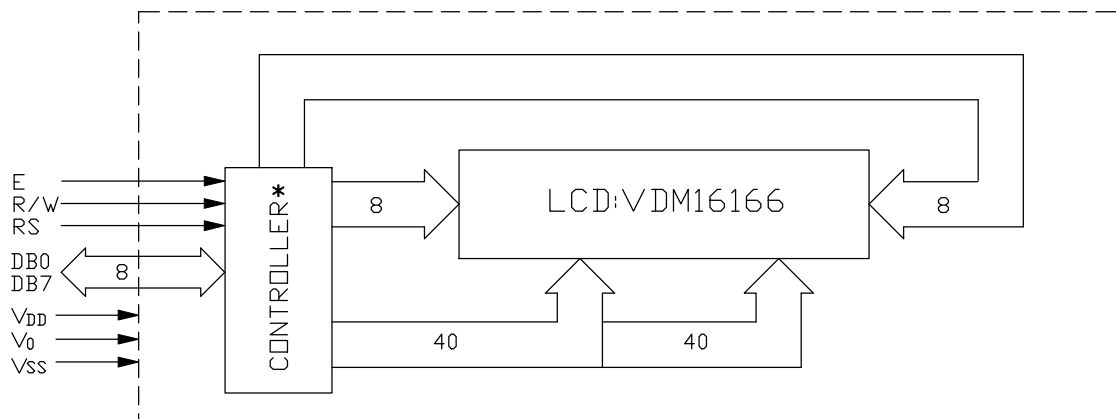
16 CHARACTERS X 1 LINE

CHARACTER SIZE: 3.15W X 5.50H mm (5 X 7 DOTS)  
3.15W X 6.30H mm (5 X 8 DOTS)

**MDL(S)-161**



14 PIN CONNECTION	1	2	3	4	5	6	7	8	9	10	11	12	13	14
	VSS	VDD	V0	RS	R/W	E	DB0	DB1	DB2	DB3	DB4	DB5	DB6	DB7



\* HD44780 OR

\* ELECTRICALLY  
8 CHARACTE