

Features:

- Display Mode: TN, Positive
- Display Format: 16 Character x 2 Line
- Input Data: 4-Bits or 8-Bits Interface Available
- Display Font: 5 x 7 Dots
- Power Supply: Single Power Supply ($3V \pm 10\%$)
- Driving Scheme: 1/16 Duty, 1/5 Bias


Absolute Maximum

Item	Symbol	Minimum	Maximum	Unit
Power Supply for Logic	Vdd	-0.3	+7.0	V
Power Supply for LCD Drive	Vlcd	Vdd - 11.5	Vdd + 0.3	V
Input Voltage	Vi	-0.3	Vdd + 0.3	V
Operating Temperature	Ta	0	+50	°C
Storage Temperature	Tstg	-10	+60	°C

Electrical Characteristics (Ta = 25°C; Vdd = 3.0V ± 10%, otherwise specified)

Item	Symbol	Test Condition	Minimum	Typical	Maximum	Unit
Power Supply for Logic	Vdd	--	2.7	3.0	3.3	V
Operating Voltage for LCD	Vdd - Vo	--	--	3.8	--	V
Input "high" Voltage	Vih	--	2.2	--	Vdd	V
Input "low" Voltage	Vil	--	-0.3	--	0.6	V
Output "high" Voltage	Voh	-Ioh = 0.2mA	2.4	--	--	V
Output "low" Voltage	Vol	Iol = 1.2mA	--	--	0.4	V
Power Supply Current	Idd	Vdd = 3.0V	--	1.1	--	mA

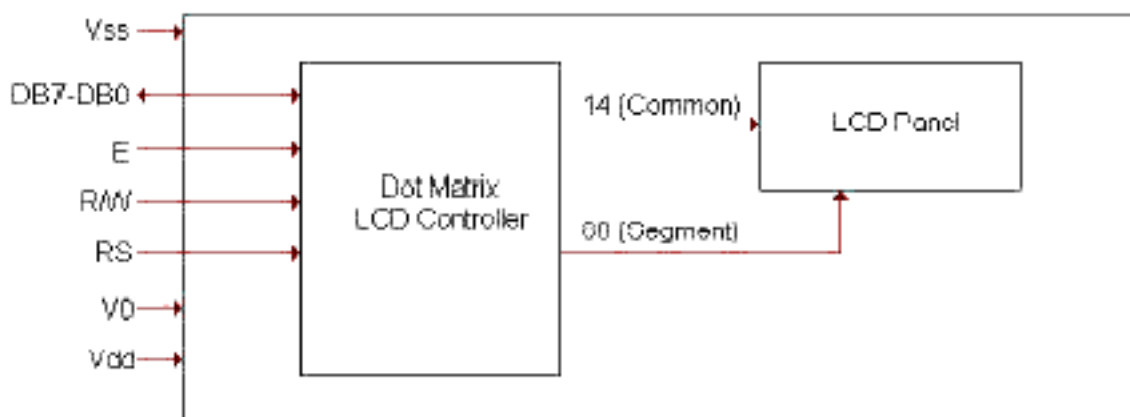
Mechanical Parameters

Item	Description	Unit
Frame Dimension	47.0 x 18.5 x 5.2	mm3
View Dimension	43.0 x 12.0	mm2

Pin Assignment

Number	Symbol	Level	Function
1	Vss	--	0V
2	Vdd	--	+3V
3	V0	--	for LCD
4	RS	H/L	Register H:Data Input
5	R/W	H/L	H – Read L – Write
6	E	H, H/L	Enable Signal
7	DB0	H/L	Data bus used in 8 bit transfer
8	DB1	H/L	
9	DB2	H/L	
10	DB3	H/L	
11	DB4	H/L	Data bus for both 4 and 8 bit transfer
12	DB5	H/L	
13	DB6	H/L	
14	DB7	H/L	

System Block Diagram



Assembly Diagram

