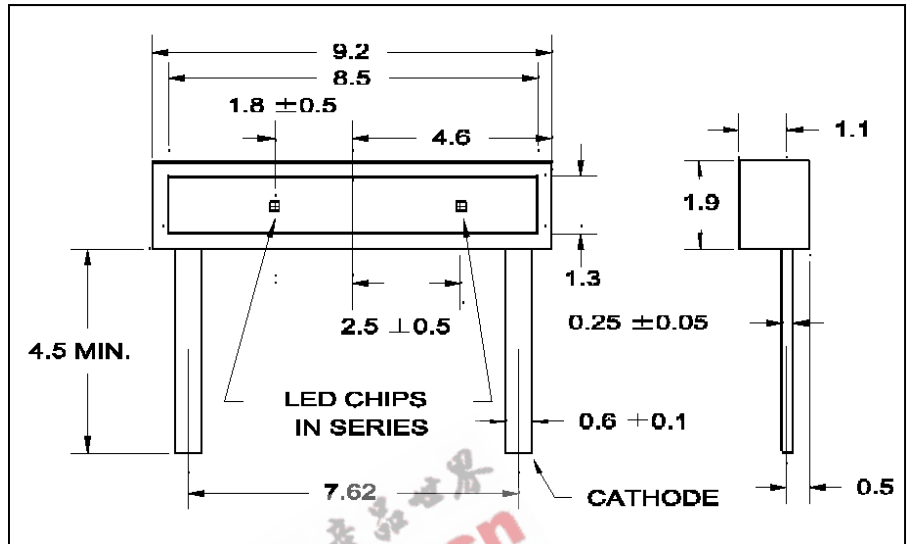


Features

Thin package style for easy insertion under LCDs
No heat dissipation
Provides sturdy mechanical support for LCD module
Low power consumption



Series Line-Up

Part Number	Color	Material
MTBL1410-RG	Red	GaP
MTBL2410-G	Yellow Green	GaP
MTBL3410-Y	Pure Yellow	GaAsP
MTBL4410-A	Orange	GaAsP
MTBL4410-HR	High Efficiency Red	GaAsP
MTBL7410-UR	Super Ultra Bright Red	GaAlAs

Maximum Ratings (Ta=25°C)

Part Number	Forward Current I _F	Reverse Voltage V _R	Power Dissipation P _D	Operating Temperature T _{opr}	Storage Temperature T _{stg}
MTBL1410-RG	30	5	100.00	-25 ~ +85	-25 ~ +100
MTBL2410-G	30	5	85.00	-25 ~ +85	-25 ~ +100
MTBL3410-Y	30	5	85.00	-25 ~ +85	-25 ~ +100
MTBL4410-A	30	5	85.00	-25 ~ +85	-25 ~ +100
MTBL4410-HR	30	5	85.00	-25 ~ +85	-20 ~ +100
MTBL7410-UR	30	5	100.00	-25 ~ +85	-25 ~ +100
Unit	mA	V	mW	°C	°C

Electrical and Optical Characteristics (Ta=25°C)

Part Number	PWL nm λ_P	Material	View Angle $2\theta_{1/2}$	Luminous Intensity I_v				Forward Voltage V_F				Rev Current I_R	
				min.	typ.	max.	IF@	min.	typ.	max.	IF@	max.	VR@
MTBL1410-RG	700	GaP	-	7.20	11.90	-	20mA	-	4.20	6.00	20mA	100	5V
MTBL2410-G	567	GaP	-	18.50	30.80	-	20mA	-	4.20	6.00	20mA	100	5V
MTBL3410-Y	585	GaAsP	-	15.10	25.20	-	20mA	-	4.20	6.00	20mA	100	5V
MTBL4410-A	610	GaAsP	-	21.30	35.60	-	20mA	-	4.20	6.00	20mA	100	5V
MTBL4410-HR	635	GaAsP	-	21.30	35.60	-	20mA	-	4.20	6.00	20mA	100	5V
MTBL7410-UR	660	GaAlAs	-	45.00	76.00	-	20mA	-	3.80	5.00	20mA	100	5V
-	nm	-	deg	mcd				-	V		-	μ A	-

NOTES:

- All Dimensions are in millimeters.
- Tolerance is ± 0.25 mm unless otherwise stated.
- The slope angle of any pin may be $\pm 5.0^\circ$ MAX.
- Specifications are subject to change without notice.