

2.00mm (0.079") PITCH CONNECTOR

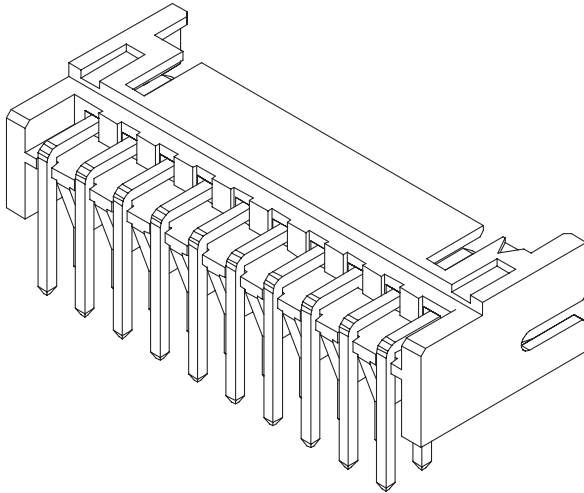


Wire-to-Board
Wafer

YDAW200 Series

DIP

Right Angle

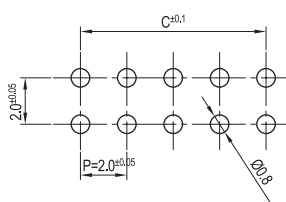
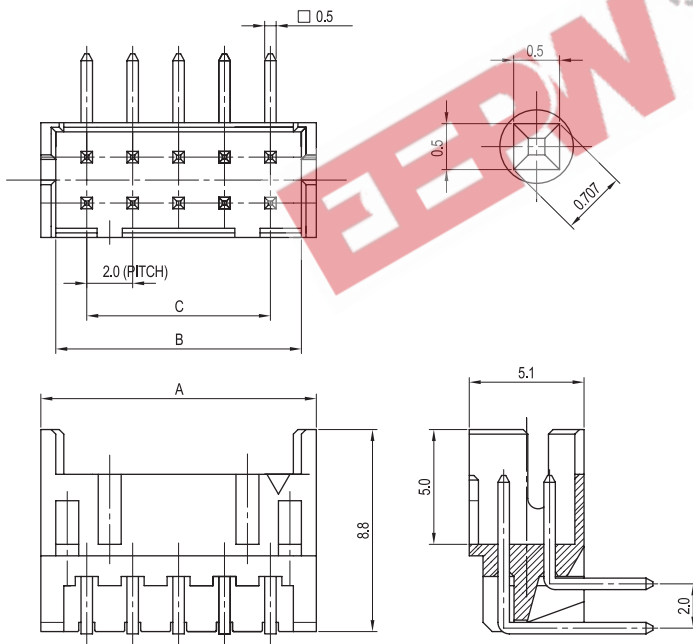


Material

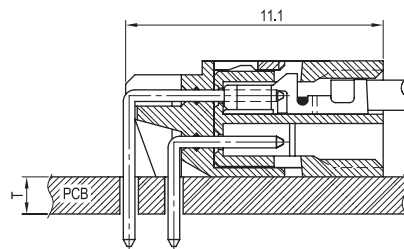
I/NO	DESCRIPTION	TITLE	MATERIAL
1	WAFER	YDAW200	PA66, UL 94V Grade
2	PIN		Brass & Tin-Plated

Available Pin

PARTS NO.	DIM. A	DIM. B	DIM. C
YDAW200-04	6.0	4.7	2.0
YDAW200-06	8.0	6.7	4.0
YDAW200-08	10.0	8.7	6.0
YDAW200-10	12.0	10.7	8.0
YDAW200-12	14.0	12.7	10.0
YDAW200-14	16.0	14.7	12.0
YDAW200-16	18.0	16.7	14.0
YDAW200-18	20.0	18.7	16.0
YDAW200-20	22.0	20.7	18.0
YDAW200-22	24.0	22.7	20.0
YDAW200-24	26.0	24.7	22.0
YDAW200-26	28.0	26.7	24.0
YDAW200-28	30.0	28.7	26.0
YDAW200-30	32.0	30.7	28.0
YDAW200-32	34.0	32.7	30.0



PCB LAYOUT



PCB ASS'Y

Specification

ITEM	SPEC
Voltage Rating	AC/DC 250V
Current Rating	AC/DC 3A
Operating Temperature	-25°C~+85°C
Contact Resistance	30MΩ MAX
Withstanding Voltage	AC1000V/1min
Insulation Resistance	1000MΩ MIN
Applicable Wire	-
Applicable P.C.B	1.2~1.6mm
Applicable FPC/FFC	-
Solder Height	-
Crimp Tensile Strength	-
UL FILE NO	E108706