

2.50mm (0.098") PITCH CONNECTOR

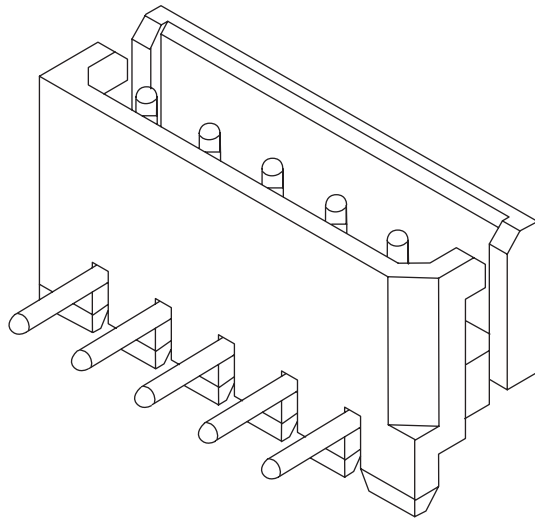


Wire-to-Board
Wafer

YMAW025-NNR Series

DIP

Right Angle

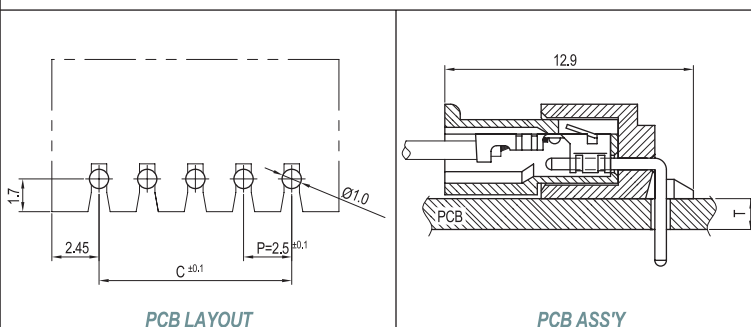
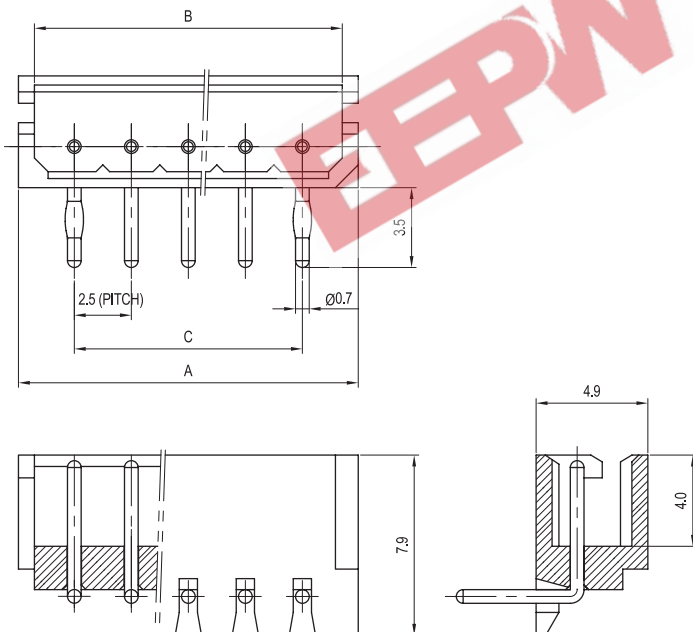


Material

| I/NO | DESCRIPTION | TITLE | MATERIAL |
|------|-------------|-------------|--------------------|
| 1 | WAFER | YMAW025-NNR | PA66, UL94 V Grade |
| 2 | PIN | | Brass & Tin-Plated |

Available Pin

| PARTS NO. | DIM. A | DIM. B | DIM. C |
|-------------|--------|--------|--------|
| YMAW025-02R | 7.4 | 6.0 | 2.5 |
| YMAW025-03R | 9.9 | 8.5 | 5.0 |
| YMAW025-04R | 12.4 | 11.0 | 7.5 |
| YMAW025-05R | 14.9 | 13.5 | 10.0 |
| YMAW025-06R | 17.4 | 16.0 | 12.5 |
| YMAW025-07R | 19.9 | 18.5 | 15.0 |
| YMAW025-08R | 22.4 | 21.0 | 17.5 |
| YMAW025-09R | 24.9 | 23.5 | 20.0 |
| YMAW025-10R | 27.4 | 26.0 | 22.5 |
| YMAW025-11R | 29.9 | 28.5 | 25.0 |
| YMAW025-12R | 32.4 | 31.0 | 27.5 |
| YMAW025-13R | 34.9 | 33.5 | 30.0 |
| YMAW025-14R | 37.4 | 36.0 | 32.5 |
| YMAW025-15R | 39.9 | 38.5 | 35.0 |



Specification

| ITEM | SPEC |
|------------------------|--------------|
| Voltage Rating | AC/DC 250V |
| Current Rating | AC/DC 3A |
| Operating Temperature | -25°C~+85°C |
| Contact Resistance | 30mΩ MAX |
| Withstanding Voltage | AC1000V/1min |
| Insulation Resistance | 1000MΩ MIN |
| Applicable Wire | - |
| Applicable P.C.B | 1.2~1.6mm |
| Applicable FPC/FFC | - |
| Solder Height | - |
| Crimp Tensile Strength | - |
| UL FILE NO | - |