

Quad Digital Controlled Potentiometers (XDCP™)

FEATURES

- Four potentiometers in one package
- 256 resistor taps/pot–0.4% resolution
- 2-wire serial interface
- Wiper resistance, 40Ω typical @ V+ = 5V, V- = -5V
- Four nonvolatile data registers for each pot
- Nonvolatile storage of wiper position
- Standby current < 5μA max (total package)
- Power supplies
 - V_{CC} = 2.7V to 5.5V
 - V+ = 2.7V to 5.5V
 - V- = -2.7V to -5.5V
- 100kΩ, 50kΩ total pot resistance
- High reliability
 - Endurance – 100,000 data changes per bit per register
 - Register data retention – 100 years
- 24-lead SOIC, 24-lead TSSOP
- Dual supply version of X9259

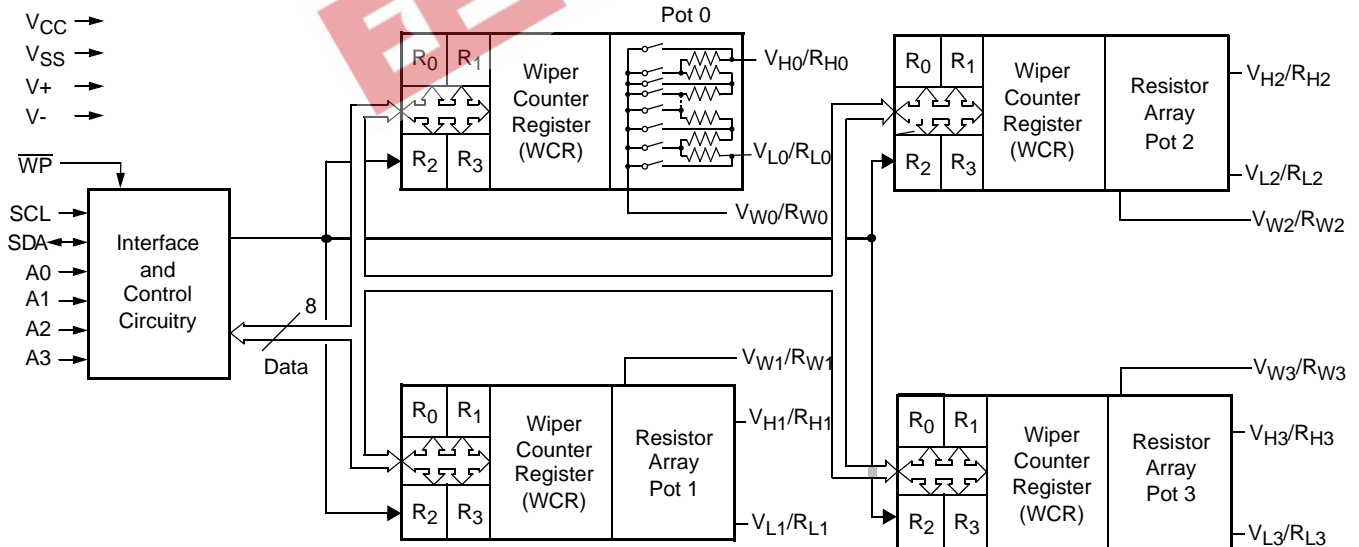
DESCRIPTION

The X9258 integrates 4 digitally controlled potentiometers (XDCP) on a monolithic CMOS integrated circuit.

The digitally controlled potentiometer is implemented using 255 resistive elements in a series array. Between each element are tap points connected to the wiper terminal through switches. The position of the wiper on the array is controlled by the user through the 2-wire bus interface. Each potentiometer has associated with it a volatile Wiper Counter Register (WCR) and 4 nonvolatile Data Registers (DR0:DR3) that can be directly written to and read by the user. The contents of the WCR controls the position of the wiper on the resistor array through the switches. Power up recalls the contents of DR0 to the WCR.

The XDCP can be used as a three-terminal potentiometer or as a two-terminal variable resistor in a wide variety of applications including control, parameter adjustments, and signal processing.

BLOCK DIAGRAM



PIN DESCRIPTIONS

Host Interface Pins

SERIAL CLOCK (SCL)

The SCL input is used to clock data into and out of the X9258.

SERIAL DATA (SDA)

SDA is a bidirectional pin used to transfer data into and out of the device. It is an open drain output and may be wire-ORed with any number of open drain or open collector outputs. An open drain output requires the use of a pull-up resistor. For selecting typical values, refer to the guidelines for calculating typical values on the bus pull-up resistors graph.

DEVICE ADDRESS ($A_0 - A_3$)

The Address inputs are used to set the least significant 4 bits of the 8-bit slave address. A match in the slave address serial data stream must be made with the address input in order to initiate communication with the X9258. A maximum of 16 devices may occupy the 2-wire serial bus.

Potentiometer Pins

V_H/R_H ($V_{H0}/R_{H0} - V_{H3}/R_{H3}$), V_L/R_L ($V_{L0}/R_{L0} - V_{L3}/R_{L3}$)

The V_H/R_H and V_L/R_L inputs are equivalent to the terminal connections on either end of a mechanical potentiometer.

V_W/R_W ($V_{W0}/R_{W0} - V_{W3}/R_{W3}$)

The wiper outputs are equivalent to the wiper output of a mechanical potentiometer.

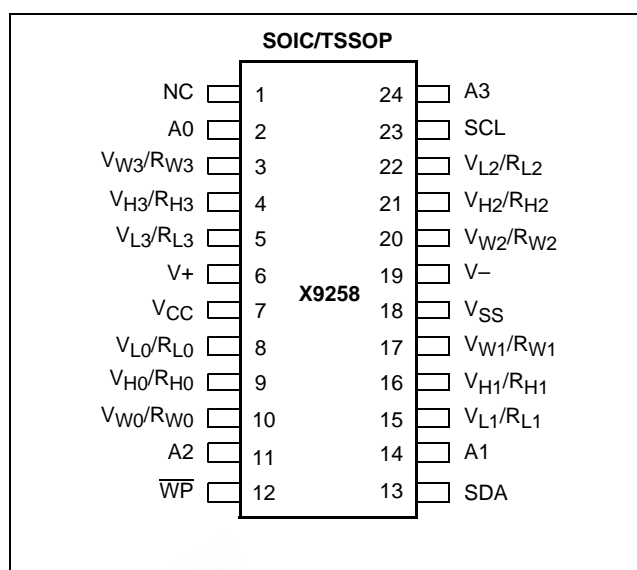
Hardware Write Protect Input (\overline{WP})

The \overline{WP} pin when low prevents nonvolatile writes to the Data Registers.

Analog Supplies V_+ , V_-

The Analog Supplies V_+ , V_- are the supply voltages for the DCP analog section.

PIN CONFIGURATION



PIN NAMES

| Symbol | Description |
|--|---|
| SCL | Serial Clock |
| SDA | Serial Data |
| A_0-A_3 | Device Address |
| $V_{H0}/R_{H0} - V_{H3}/R_{H3}$, $V_{L0}/R_{L0} - V_{L3}/R_{L3}$ | Potentiometer Pins (terminal equivalent) |
| $V_{W0}/R_{W0} - V_{W3}/R_{W3}$ | Potentiometers Pins (wiper equivalent) |
| \overline{WP} | Hardware Write Protection |
| V_+, V_- | Analog Supplies |
| V_{CC} | System Supply Voltage |
| V_{SS} | System Ground |
| NC | No Connection (Allowed) |

PRINCIPLES OF OPERATION

The X9258 is a highly integrated microcircuit incorporating four resistor arrays and their associated registers and counters and the serial interface logic providing direct communication between the host and the DCP potentiometers.

Serial Interface—2-Wire

The X9258 supports a bidirectional bus oriented protocol. The protocol defines any device that sends data onto the bus as a transmitter and the receiving device as the receiver. The device controlling the transfer is a master and the device being controlled is the slave. The master will always initiate data transfers

and provide the clock for both transmit and receive operations. Therefore, the X9258 will be considered a slave device in all applications.

Clock and Data Conventions

Data states on the SDA line can change only during SCL LOW periods (t_{LOW}). SDA state changes during SCL HIGH are reserved for indicating start and stop conditions.

Start Condition

All commands to the X9258 are preceded by the start condition, which is a HIGH to LOW transition of SDA while SCL is HIGH (t_{HIGH}). The X9258 continuously monitors the SDA and SCL lines for the start condition and will not respond to any command until this condition is met.

Stop Condition

All communications must be terminated by a stop condition, which is a LOW to HIGH transition of SDA while SCL is HIGH.

Acknowledge

Acknowledge is a software convention used to provide a positive handshake between the master and slave devices on the bus to indicate the successful receipt of data. The transmitting device, either the master or the slave, will release the SDA bus after transmitting eight bits. The master generates a ninth clock cycle and during this period the receiver pulls the SDA line LOW to acknowledge that it successfully received the eight bits of data.

The X9258 will respond with an acknowledge after recognition of a start condition and its slave address and once again after successful receipt of the command byte. If the command is followed by a data byte the X9258 will respond with a final acknowledge.

Array Description

The X9258 is comprised of four resistor arrays. Each array contains 255 discrete resistive segments that are connected in series. The physical ends of each array are equivalent to the fixed terminals of a mechanical potentiometer (V_H/R_H and V_L/R_L inputs).

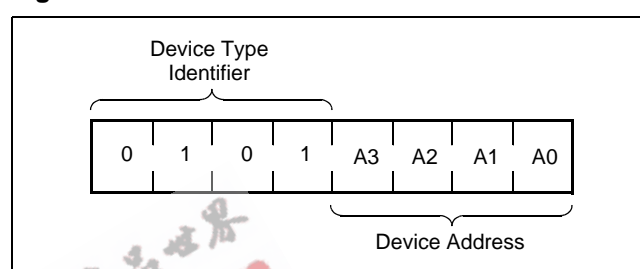
At both ends of each array and between each resistor segment is a CMOS switch connected to the wiper (V_W) output. Within each individual array only one switch may be turned on at a time. These switches are controlled by the Wiper Counter Register (WCR). The 8 bits of the WCR are decoded to select, and enable, one of 256 switches.

The WCR may be written directly, or it can be changed by transferring the contents of one of four associated data registers into the WCR. These data registers and the WCR can be read and written by the host system.

Device Addressing

Following a start condition the master must output the address of the slave it is accessing. The most significant four bits of the slave address are the device type identifier (refer to Figure 1 below). For the X9258 this is fixed as 0101[B].

Figure 1. Slave Address

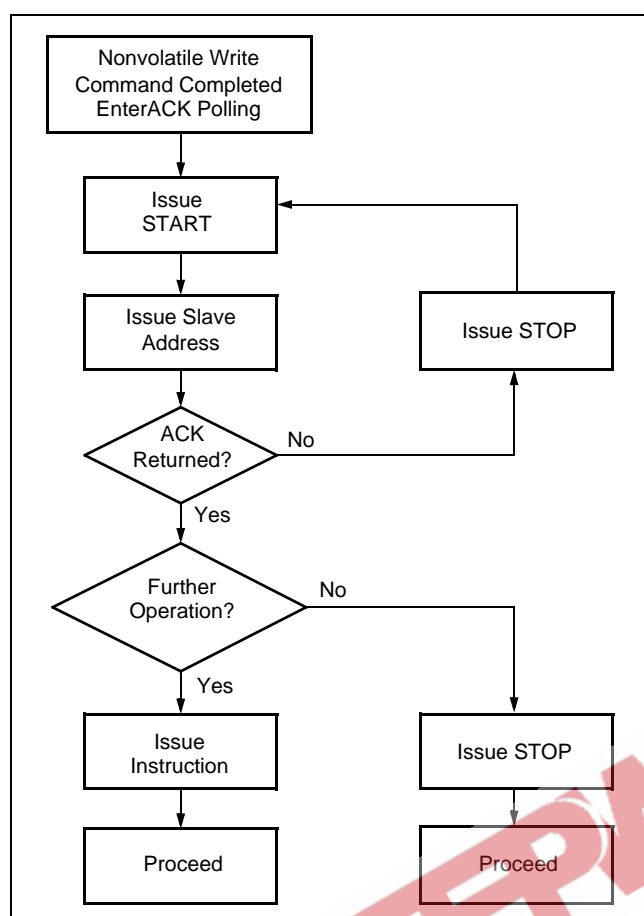


The next four bits of the slave address are the device address. The physical device address is defined by the state of the A0 - A3 inputs. The X9258 compares the serial data stream with the address input state; a successful compare of all four address bits is required for the X9258 to respond with an acknowledge. The A0 - A3 inputs can be actively driven by CMOS input signals or tied to V_{CC} or V_{SS} .

Acknowledge Polling

The disabling of the inputs, during the internal nonvolatile write operation, can be used to take advantage of the typical 5ms nonvolatile write cycle time. Once the stop condition is issued to indicate the end of the nonvolatile write command the X9258 initiates the internal write cycle. ACK polling can be initiated immediately. This involves issuing the start condition followed by the device slave address. If the X9258 is still busy with the write operation no ACK will be returned. If the X9258 has completed the write operation an ACK will be returned and the master can then proceed with the next operation.

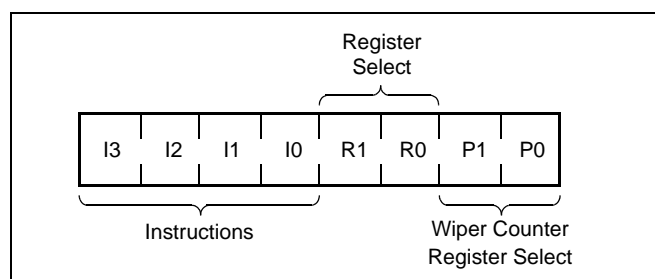
ACK Polling Sequence



Instruction Structure

The next byte sent to the X9258 contains the instruction and register pointer information. The four most significant bits are the instruction. The next four bits point to one of the two pots and when applicable they point to one of four associated registers. The format is shown below in Figure 2.

Figure 2. Instruction Byte Format

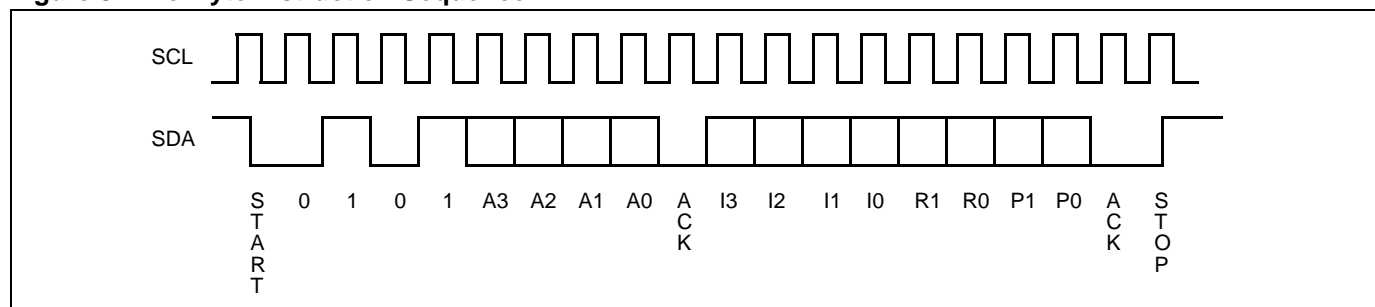


The four high order bits define the instruction. The next two bits (R1 and R0) select one of the four registers that is to be acted upon when a register oriented instruction is issued. The last bits (P1, P0) select which one of the four potentiometers is to be affected by the instruction.

Four of the nine instructions end with the transmission of the instruction byte. The basic sequence is illustrated in Figure 3. These two-byte instructions exchange data between the Wiper Counter Register and one of the data registers. A transfer from a Data Register to a Wiper Counter Register is essentially a write to a static RAM. The response of the wiper to this action will be delayed t_{WRL} . A transfer from the Wiper Counter Register (current wiper position), to a data register is a write to nonvolatile memory and takes a minimum of t_{WR} to complete. The transfer can occur between one of the four potentiometers and one of its associated registers; or it may occur globally, wherein the transfer occurs between all of the potentiometers and one of their associated registers.

Four instructions require a three-byte sequence to complete. These instructions transfer data between the host and the X9258; either between the host and one of the data registers or directly between the host and the Wiper Counter Register. These instructions are: Read Wiper Counter Register (read the current wiper position of the selected pot), Write Wiper Counter Register (change current wiper position of the selected pot), Read Data Register (read the contents of the selected nonvolatile register) and Write Data Register (write a new value to the selected data register). The sequence of operations is shown in Figure 4.

Figure 3. Two-Byte Instruction Sequence



The Increment/Decrement command is different from the other commands. Once the command is issued and the X9258 has responded with an acknowledge, the master can clock the selected wiper up and/or down in one segment steps; thereby, providing a fine tuning capability to the host. For each SCL clock pulse (t_{HIGH}) while SDA is HIGH, the selected wiper will move one resistor segment towards the V_H terminal.

Similarly, for each SCL clock pulse while SDA is LOW, the selected wiper will move one resistor segment towards the V_L/R_L terminal. A detailed illustration of the sequence and timing for this operation are shown in Figures 5 and 6 respectively.

Table 1. Instruction Set

| Instruction | Instruction Set | | | | | | | | Operation |
|--|-----------------|----------------|----------------|----------------|----------------|----------------|----------------|----------------|---|
| | I ₃ | I ₂ | I ₁ | I ₀ | R ₁ | R ₀ | P ₁ | P ₀ | |
| Read Wiper Counter Register | 1 | 0 | 0 | 1 | 0 | 0 | 1/0 | 1/0 | Read the contents of the Wiper Counter Register pointed to by P ₁ - P ₀ |
| Write Wiper Counter Register | 1 | 0 | 1 | 0 | 0 | 0 | 1/0 | 1/0 | Write new value to the Wiper Counter Register pointed to by P ₁ - P ₀ |
| Read Data Register | 1 | 0 | 1 | 1 | 1/0 | 1/0 | 1/0 | 1/0 | Read the contents of the Data Register pointed to by P ₁ - P ₀ and R ₁ - R ₀ |
| Write Data Register | 1 | 1 | 0 | 0 | 1/0 | 1/0 | 1/0 | 1/0 | Write new value to the Data Register pointed to by P ₁ - P ₀ and R ₁ - R ₀ |
| XFR Data Register to Wiper Counter Register | 1 | 1 | 0 | 1 | 1/0 | 1/0 | 1/0 | 1/0 | Transfer the contents of the Data Register pointed to by P ₁ - P ₀ and R ₁ - R ₀ to its associated Wiper Counter Register |
| XFR Wiper Counter Register to Data Register | 1 | 1 | 1 | 0 | 1/0 | 1/0 | 1/0 | 1/0 | Transfer the contents of the Wiper Counter Register pointed to by P ₁ - P ₀ to the Data Register pointed to by R ₁ - R ₀ |
| Global XFR Data Registers to Wiper Counter Registers | 0 | 0 | 0 | 1 | 1/0 | 1/0 | 0 | 0 | Transfer the contents of the Data Registers pointed to by R ₁ - R ₀ of all four pots to their respective Wiper Counter Registers |
| Global XFR Wiper Counter Registers to Data Register | 1 | 0 | 0 | 0 | 1/0 | 1/0 | 0 | 0 | Transfer the contents of both Wiper Counter Registers to their respective data Registers pointed to by R ₁ - R ₀ of all four pots |
| Increment/Decrement Wiper Counter Register | 0 | 0 | 1 | 0 | 0 | 0 | 1/0 | 1/0 | Enable Increment/decrement of the Control Latch pointed to by P ₁ - P ₀ |

Note: (1) 1/0 = data is one or zero

Figure 4. Three-Byte Instruction Sequence

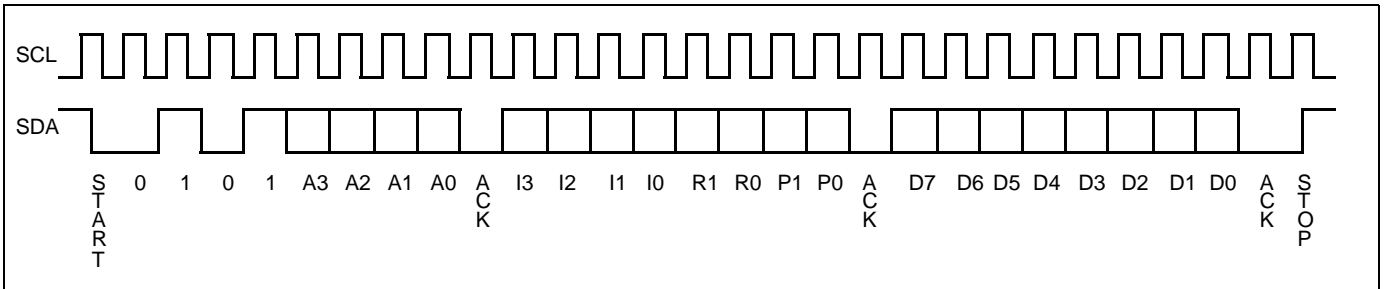


Figure 5. Increment/Decrement Instruction Sequence

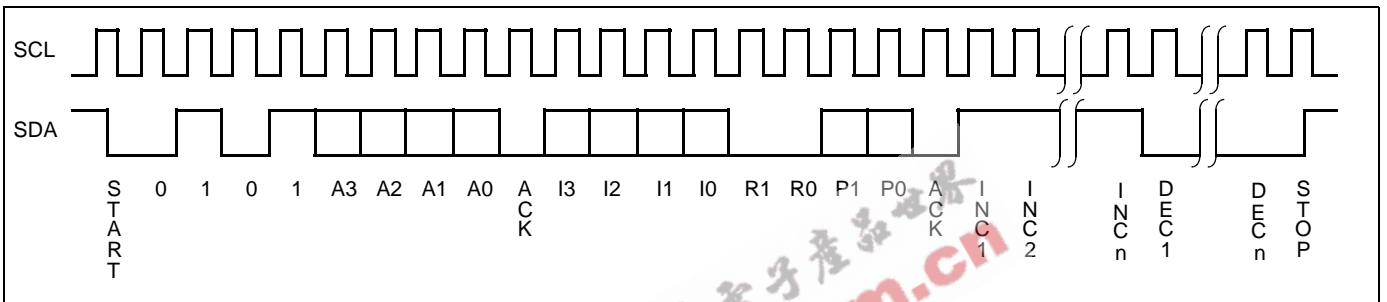


Figure 6. Increment/Decrement Timing Limits

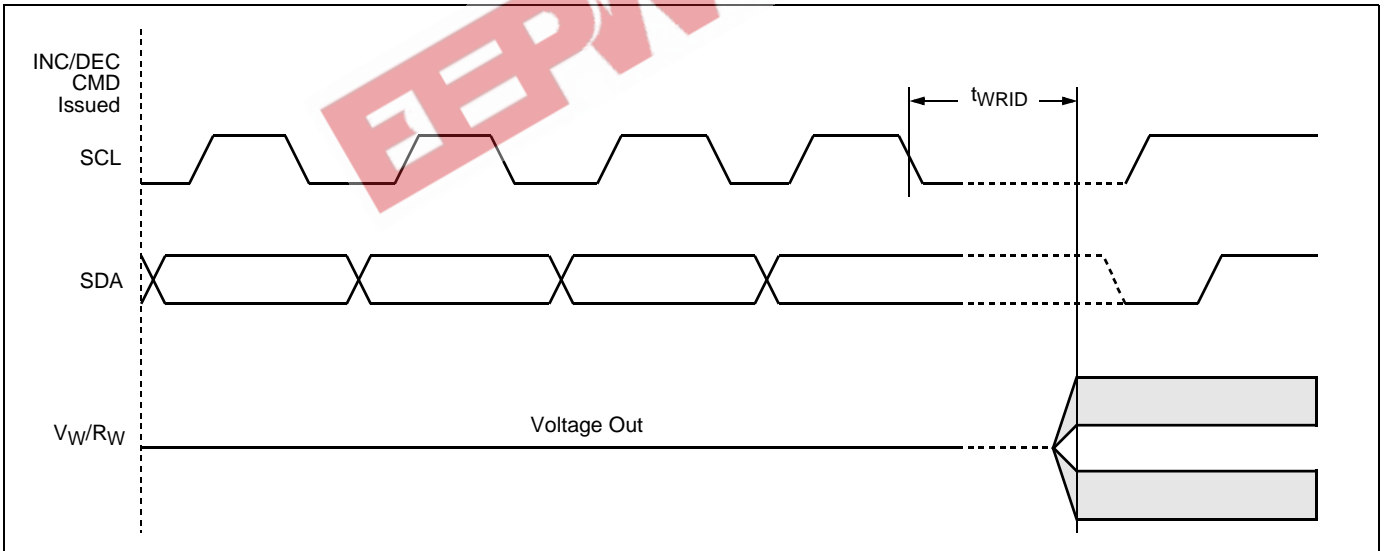


Figure 7. Acknowledge Response from Receiver

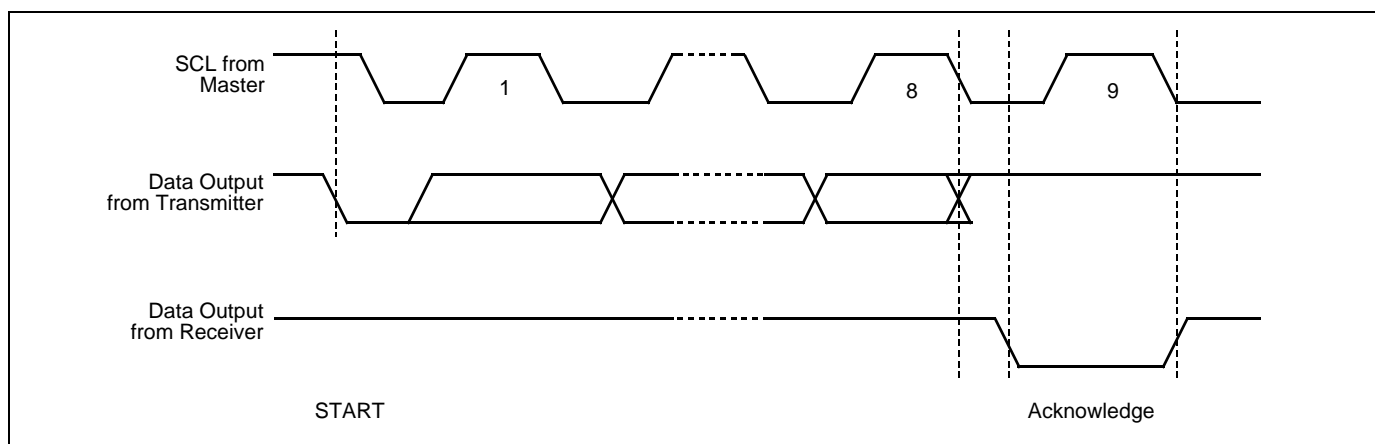
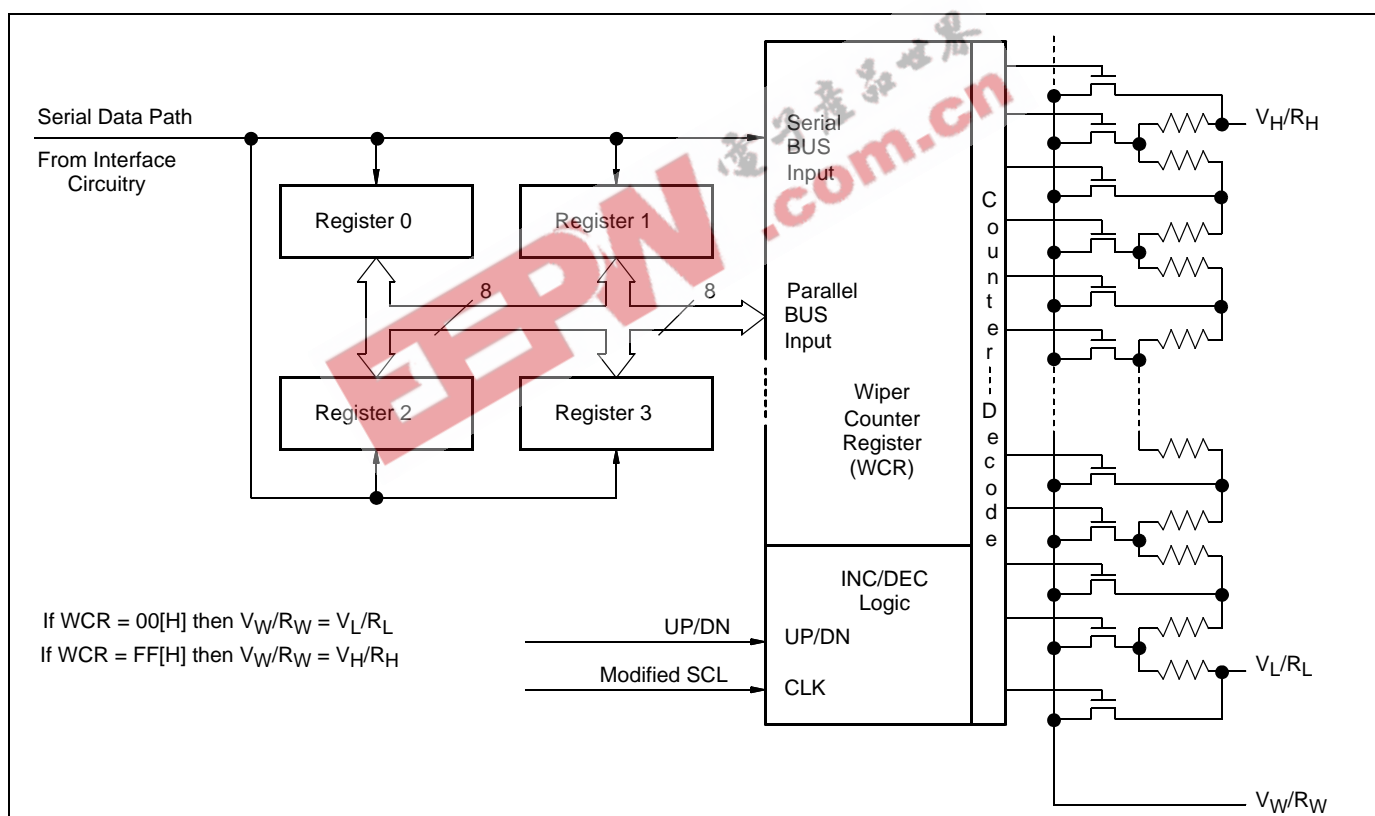


Figure 8. Detailed Potentiometer Block Diagram Detailed Operation



All DCP potentiometers share the serial interface and share a common architecture. Each potentiometer has a Wiper Counter Register and four Data Registers. A detailed discussion of the register organization and array operation follows.

Wiper Counter Register

The X9258 contains four Wiper Counter Registers, one for each DCP potentiometer. The Wiper Counter Register can be envisioned as a 8-bit parallel and serial load counter with its outputs decoded to select

one of 256 switches along its resistor array. The contents of the WCR can be altered in four ways: it may be written directly by the host via the Write Wiper Counter Register instruction (serial load); it may be written indirectly by transferring the contents of one of four associated Data Registers via the XFR Data Register instruction (parallel load); it can be modified one step at a time by the Increment/Decrement instruction. Finally, it is loaded with the contents of its data register zero (R0) upon power-up.

The WCR is a volatile register; that is, its contents are lost when the X9258 is powered-down. Although the register is automatically loaded with the value in R0 upon power-up, it should be noted this may be different from the value present at power-down.

Data Registers

Each potentiometer has four nonvolatile Data Registers. These can be read or written directly by the host and data can be transferred between any of the four Data Registers and the WCR. It should be noted all operations changing data in one of these registers is a nonvolatile operation and will take a maximum of 10ms.

If the application does not require storage of multiple settings for the potentiometer, these registers can be used as regular memory locations that could possibly store system parameters or user preference data.

Instruction Format

- Notes:** (1) "MACK"/"SACK": stands for the acknowledge sent by the master/slave.
 (2) "A3 ~ A0": stands for the device addresses sent by the master.
 (3) "X": indicates that it is a "0" for testing purpose but physically it is a "don't care" condition.
 (4) "I": stands for the increment operation, SDA held high during active SCL phase (high).
 (5) "D": stands for the decrement operation, SDA held low during active SCL phase (high).

Read Wiper Counter Register (WCR)

| S T A R T | device type identifier | | | | device addresses | | | | S A C K | instruction opcode | | | | WCR addresses | | | | S A C K | wiper position (sent by slave on SDA) | | | | | | | | M A C K | S T O P |
|-----------------------|------------------------|---|---|---|------------------|----|----|----|------------------|--------------------|---|---|---|---------------|---|---|---|------------------|---------------------------------------|---|---|---|---|---|---|---|------------------|------------------|
| | 0 | 1 | 0 | 1 | A3 | A2 | A1 | A0 | | 1 | 0 | 0 | 1 | 0 | 0 | P | P | | 7 | 6 | 5 | 4 | 3 | 2 | 1 | 0 | | |
| | | | | | | | | | | | | | | | | | | | | | | | | | | | | |

Write Wiper Counter Register (WCR)

| S T A R T | device type identifier | | | | device addresses | | | | S A C K | instruction opcode | | | | WCR addresses | | | | S A C K | Data Byte (sent by master on SDA) | | | | | | | | S A C K | S T O P | | | | | | |
|-----------------------|------------------------|---|---|---|------------------|----|----|----|------------------|--------------------|---|---|---|---------------|---|---|---|------------------|-----------------------------------|---|---|---|---|---|---|---|------------------|------------------|--|--|--|--|--|--|
| | 0 | 1 | 0 | 1 | A3 | A2 | A1 | A0 | | 1 | 0 | 1 | 0 | 0 | 0 | P | P | | 7 | 6 | 5 | 4 | 3 | 2 | 1 | 0 | | | | | | | | |
| | | | | | | | | | | | | | | | | | | | | | | | | | | | | | | | | | | |

Read Data Register (DR)

| S T A R T | device type identifier | | | | device addresses | | | | S A C K | instruction opcode | | | | DR and WCR addresses | | | | S A C K | Data Byte (sent by slave on SDA) | | | | | | | | M A C K | S T O P | | | | | | |
|-----------------------|------------------------|---|---|---|------------------|----|----|----|------------------|--------------------|---|---|---|----------------------|---|---|---|------------------|----------------------------------|---|---|---|---|---|---|---|------------------|------------------|--|--|--|--|--|--|
| | 0 | 1 | 0 | 1 | A3 | A2 | A1 | A0 | | 1 | 0 | 1 | 1 | R | R | P | P | | 7 | 6 | 5 | 4 | 3 | 2 | 1 | 0 | | | | | | | | |
| | | | | | | | | | | | | | | | | | | | | | | | | | | | | | | | | | | |

REGISTER DESCRIPTIONS

Data Registers, (8-Bit), Nonvolatile

| WP7 | WP6 | WP5 | WP4 | WP3 | WP2 | WP1 | WP0 |
|-------|-----|-----|-----|-----|-----|-----|-------|
| NV | NV | NV | NV | NV | NV | NV | NV |
| (MSB) | | | | | | | (LSB) |

Four 8-bit Data Registers for each DCP. (sixteen 8-bit registers in total).

- {D7~D0}: These bits are for general purpose not volatile data storage or for storage of up to four different wiper values. The contents of Data Register 0 are automatically moved to the wiper counter register on power-up.

Wiper Counter Register, (8-Bit), Volatile

| WP7 | WP6 | WP5 | WP4 | WP3 | WP2 | WP1 | WP0 |
|-----|-----|-----|-----|-----|-----|-----|-----|
|-----|-----|-----|-----|-----|-----|-----|-----|

Write Data Register (WR)

| S T A R T | device type identifier | | | | device addresses | | | | S A C K | instruction opcode | | | | DR and WCR addresses | | | | S A C K | Data Byte (sent by master on SDA) | | | | | | | | S A C K | S T O P | HIGH-VOLTAGE WRITE CYCLE |
|-----------------------|------------------------|---|---|---|------------------|---|---|---|------------------|--------------------|---|---|---|----------------------|---|---|---|------------------|--------------------------------------|---|---|---|---|---|---|---|------------------|------------------|-----------------------------|
| | 0 | 1 | 0 | 1 | A | A | A | A | | 1 | 1 | 0 | 0 | R | R | P | P | | W | W | W | W | W | W | W | W | | | |
| | 0 | 1 | 0 | 1 | A | A | A | A | | 1 | 1 | 0 | 0 | R | R | P | P | 7 | 6 | 5 | 4 | 3 | 2 | 1 | 0 | | | | |

XFR Data Register (DR) to Wiper Counter Register (WCR)

| S T A R T | device type identifier | | | | device addresses | | | | S A C K | instruction opcode | | | | DR and WCR addresses | | | | S A C K | S T O P |
|-----------------------|------------------------|---|---|---|------------------|---|---|---|------------------|--------------------|---|---|---|----------------------|---|---|---|------------------|------------------|
| | 0 | 1 | 0 | 1 | A | A | A | A | | 1 | 1 | 0 | 1 | R | R | P | P | | |
| | 0 | 1 | 0 | 1 | A | A | A | A | | 1 | 1 | 0 | 1 | R | R | P | P | | |

XFR Wiper Counter Register (WCR) to Data Register (DR)

| S T A R T | device type identifier | | | | device addresses | | | | S A C K | instruction opcode | | | | DR and WCR addresses | | | | S A C K | S T O P | HIGH-VOLTAGE WRITE CYCLE |
|-----------------------|------------------------|---|---|---|------------------|---|---|---|------------------|--------------------|---|---|---|----------------------|---|---|---|------------------|------------------|-----------------------------|
| | 0 | 1 | 0 | 1 | A | A | A | A | | 1 | 1 | 1 | 0 | R | R | P | P | | | |
| | 0 | 1 | 0 | 1 | A | A | A | A | | 1 | 1 | 1 | 0 | R | R | P | P | | | |

Increment/Decrement Wiper Counter Register (WCR)

| S T A R T | device type identifier | | | | device addresses | | | | S A C K | instruction opcode | | | | WCR addresses | | | | S A C K | increment/decrement (sent by master on SDA) | | | | S T O P |
|-----------------------|------------------------|---|---|---|------------------|---|---|---|------------------|--------------------|---|---|---|---------------|---|---|---|------------------|--|-----|---|-----|------------------|
| | 0 | 1 | 0 | 1 | A | A | A | A | | 0 | 0 | 1 | 0 | 0 | 0 | P | P | | I/D | I/D | · | · | |
| | 0 | 1 | 0 | 1 | A | A | A | A | | 0 | 0 | 1 | 0 | 0 | 0 | P | P | I/D | I/D | · | · | I/D | I/D |

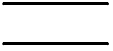


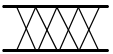
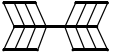
Global XFR Data Register (DR) to Wiper Counter Register (WCR)

| S T A R T | device type identifier | | | | device addresses | | | | S A C K | instruction opcode | | | | DR addresses | | | | S A C K | S T O P |
|-----------------------|------------------------|---|---|---|------------------|---|---|---|------------------|--------------------|---|---|---|--------------|---|---|---|------------------|------------------|
| | 0 | 1 | 0 | 1 | A | A | A | A | | 0 | 0 | 0 | 1 | R | R | 0 | 0 | | |
| | 0 | 1 | 0 | 1 | A | A | A | A | | 0 | 0 | 0 | 1 | R | R | 0 | 0 | | |

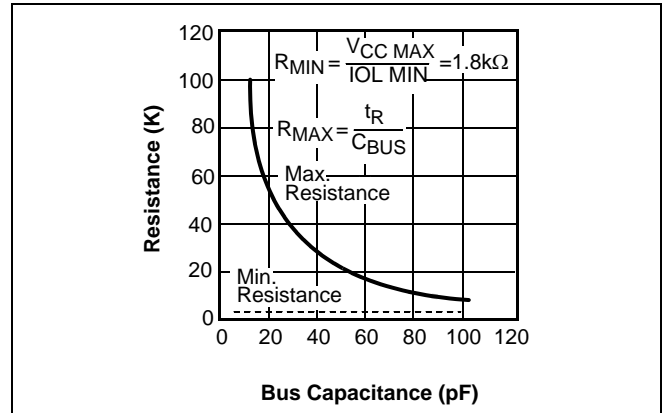
Global XFR Wiper Counter Register (WCR) to Data Register (DR)

| S T A R T | device type identifier | | | | device addresses | | | | S A C K | instruction opcode | | | | DR addresses | | | | S A C K | S T O P | HIGH-VOLTAGE WRITE CYCLE |
|-----------------------|------------------------|---|---|---|------------------|---|---|---|------------------|--------------------|---|---|---|--------------|---|---|---|------------------|------------------|-----------------------------|
| | 0 | 1 | 0 | 1 | A | A | A | A | | 1 | 0 | 0 | 0 | R | R | 0 | 0 | | | |
| | 0 | 1 | 0 | 1 | A | A | A | A | | 1 | 0 | 0 | 0 | R | R | 0 | 0 | | | |

SYMBOL TABLE

| WAVEFORM | INPUTS | OUTPUTS |
|---|-----------------------------|-------------------------------|
|  | Must be steady | Will be steady |
|  | May change from Low to High | Will change from Low to High |
|  | May change from High to Low | Will change from High to Low |
|  | Don't Care: Changes Allowed | Changing: State Not Known |
|  | N/A | Center Line is High Impedance |

Guidelines for Calculating Typical Values of Bus Pull-Up Resistors



EEPW 电子產品世界 .com.cn

X9258

ABSOLUTE MAXIMUM RATINGS

| | |
|--|-----------------|
| Temperature under bias..... | -65°C to +135°C |
| Storage temperature | -65°C to +150°C |
| Voltage on SDA, SCL or any address input with respect to V_{SS} | -1V to +7V |
| Voltage on V+ (referenced to V_{SS}) | 10V |
| Voltage on V- (referenced to V_{SS}) | -10V |
| (V+) - (V-)..... | 12V |
| Any V_H/R_H | V+ |
| Any V_L/R_L | V- |
| Lead temperature (soldering, 10 seconds)..... | 300°C |
| I_W (10 seconds)..... | ±15mA |

COMMENT

Stresses above those listed under “Absolute Maximum Ratings” may cause permanent damage to the device. This is a stress rating only; functional operation of the device (at these or any other conditions above those listed in the operational sections of this specification) is not implied. Exposure to absolute maximum rating conditions for extended periods may affect device reliability.

RECOMMENDED OPERATING CONDITIONS

| Temp | Min. | Max. |
|------------|-------|-------|
| Commercial | 0°C | +70°C |
| Industrial | -40°C | +85°C |

| Device | Supply Voltage (V_{CC}) Limits |
|-----------|------------------------------------|
| X9258 | 5V ± 10% |
| X9258-2.7 | 2.7V to 5.5V |

ANALOG CHARACTERISTICS

(Over recommended operating conditions unless otherwise stated.)

| Symbol | Parameter | Limits | | | | Test Conditions |
|---------------|---|------------|----------|------|-------------------|---|
| | | Min. | Typ. | Max. | Unit | |
| | End to end resistance tolerance | | | ±20 | % | |
| | Power rating | | | 50 | mW | 25°C, each pot |
| I_W | Wiper current | | | ±7.5 | mA | Wiper current = ± 1mA |
| R_W | Wiper resistance | | 150 | 250 | Ω | $I_W = \pm 1\text{mA}$ @ $V_+ = 3\text{V}$, $V_- = -3\text{V}$ |
| R_W | Wiper resistance | | 40 | 100 | Ω | $I_W = \pm 1\text{mA}$ @ $V_+ = 5\text{V}$, $V_- = -5\text{V}$ |
| V+ | Voltage on V+ Pin | X9258 | +4.5 | +5.5 | V | |
| | | X9258-2.7 | +2.7 | +5.5 | | |
| V- | Voltage on V- Pin | X9258 | -5.5 | -4.5 | V | |
| | | X9258 -2.7 | -5.5 | -2.7 | | |
| V_{TERM} | Voltage on any V_H/R_H or V_L/R_L pin | V- | | V+ | V | |
| | Noise | | -120 | | dBV | Ref: 1kHz |
| | Resolution ⁽⁴⁾ | | 0.6 | | % | |
| | Absolute linearity ⁽¹⁾ | | | ±1 | MI ⁽³⁾ | $V_{w(n)}(\text{actual}) - V_{w(n)}(\text{expected})$ |
| | Relative linearity ⁽²⁾ | | | ±0.6 | MI ⁽³⁾ | $V_{w(n+1)} - [V_{w(n)} + MI]$ |
| | Temperature coefficient of R_{TOTAL} | | ±300 | | ppm/°C | |
| | Ratiometric Temperature Coefficient | | | ±20 | ppm/°C | |
| $C_H/C_L/C_W$ | Potentiometer Capacitance | | 10/10/25 | | pF | See Circuit #3 |

X9258

D.C. OPERATING CHARACTERISTICS (Over the recommended operating conditions unless otherwise specified.)

| Symbol | Parameter | Limits | | | | Test Conditions |
|------------------|--|-----------------------|------|-----------------------|------|---|
| | | Min. | Typ. | Max. | Unit | |
| I _{CC1} | V _{CC} supply current (Nonvolatile Write) | | 1 | | mA | f _{SCL} = 400kHz, SDA = Open, Other Inputs = V _{SS} |
| I _{CC2} | V _{CC} supply current (move wiper, write, read) | | | 100 | μA | f _{SCL} = 400kHz, SDA = Open, Other Inputs = V _{SS} |
| I _{SB} | V _{CC} current (standby) | | | 5 | μA | SCL = SDA = V _{CC} , Addr. = V _{SS} |
| I _{LI} | Input leakage current | | | 10 | μA | V _{IN} = V _{SS} to V _{CC} |
| I _{LO} | Output leakage current | | | 10 | μA | V _{OUT} = V _{SS} to V _{CC} |
| V _{IH} | Input HIGH voltage | V _{CC} × 0.7 | | V _{CC} + 0.1 | V | |
| V _{IL} | Input LOW voltage | -0.5 | | V _{CC} × 0.3 | V | |
| V _{OL} | Output LOW voltage | | | 0.4 | V | I _{OL} = 3mA |

- Notes:** (1) Absolute linearity is utilized to determine actual wiper voltage versus expected voltage as determined by wiper position when used as a potentiometer.
(2) Relative linearity is utilized to determine the actual change in voltage between two successive tap positions when used as a potentiometer. It is a measure of the error in step size.
(3) MI = RTOT/255 or (V_H/R_H - V_L/R_L)/255, single pot
(4) Max. = all four arrays cascaded together, Typical = individual array resolutions.

ENDURANCE AND DATA RETENTION

| Parameter | Min. | Unit |
|-------------------|---------|-----------------------------------|
| Minimum endurance | 100,000 | Data changes per bit per register |
| Data retention | 100 | years |

CAPACITANCE

| Symbol | Test | Max. | Unit | Test Conditions |
|---------------------------------|---|------|------|-----------------------|
| C _{I/O} ⁽⁵⁾ | Input/output capacitance (SDA) | 8 | pF | V _{I/O} = 0V |
| C _{IN} ⁽⁵⁾ | Input capacitance (A0, A1, A2, A3, and SCL) | 6 | pF | V _{IN} = 0V |

POWER-UP TIMING

| Symbol | Parameter | Min. | Max. | Unit |
|---|---|------|------|--------|
| t _{PUR} ⁽⁶⁾ | Power-up to initiation of read operation | | 1 | ms |
| t _{PUW} ⁽⁶⁾ | Power-up to initiation of write operation | | 5 | ms |
| t _R V _{CC} ⁽⁷⁾ | V _{CC} Power up ramp | 0.2 | 50 | V/msec |

POWER UP AND DOWN REQUIREMENT

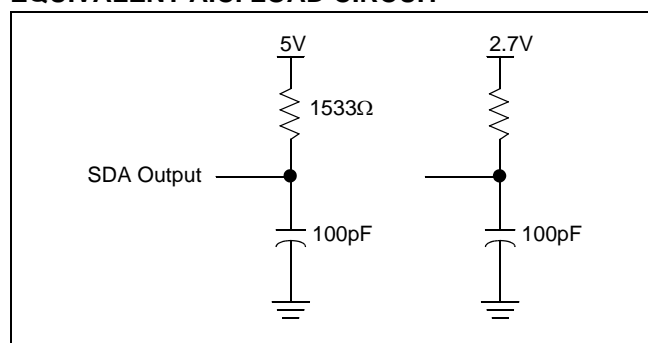
The are no restrictions on the sequencing of the bias supplies V_{CC}, V₊, and V₋ provided that all three supplies reach their final values within 1msec of each other. At all times, the voltages on the potentiometer pins must be less than V₊ and more than V₋. The recall of the wiper position from nonvolatile memory is not in effect until all supplies reach their final value. The V_{CC} ramp rate spec is always in effect.

- Notes:** (5) This parameter is periodically sampled and not 100% tested.
(6) t_{PUR} and t_{PUW} are the delays required from the time the third (last) power supply (V_{CC}, V₊ or V₋) is stable until the specific instruction can be issued. These parameters are periodically sampled and not 100% tested.
(7) Sample tested only.

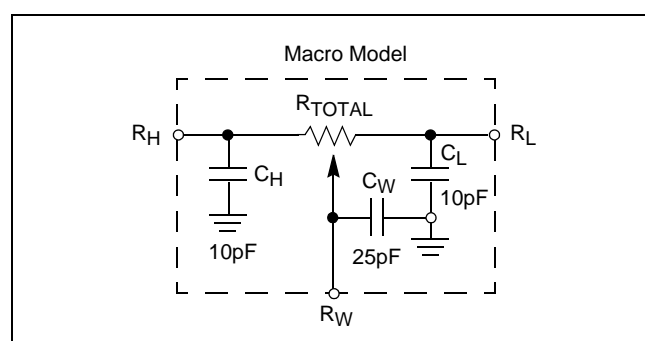
A.C. TEST CONDITIONS

| | |
|-------------------------------|--|
| Input pulse levels | $V_{CC} \times 0.1$ to $V_{CC} \times 0.9$ |
| Input rise and fall times | 10ns |
| Input and output timing level | $V_{CC} \times 0.5$ |

EQUIVALENT A.C. LOAD CIRCUIT



Test Circuit #3 SPICE Macro Model



AC TIMING (Over recommended operating condition)

| Symbol | Parameter | Min. | Max. | Unit |
|--------------|---|------|------|------|
| f_{SCL} | Clock frequency | | 400 | kHz |
| t_{CYC} | Clock cycle time | 2500 | | ns |
| t_{HIGH} | Clock high time | 600 | | ns |
| t_{LOW} | Clock low time | 1300 | | ns |
| $t_{SU:STA}$ | Start setup time | 600 | | ns |
| $t_{HD:STA}$ | Start hold time | 600 | | ns |
| $t_{SU:STO}$ | Stop setup time | 600 | | ns |
| $t_{SU:DAT}$ | SDA data input setup time | 100 | | ns |
| $t_{HD:DAT}$ | SDA data input hold time | 30 | | ns |
| t_R | SCL and SDA rise time | | 300 | ns |
| t_F | SCL and SDA fall time | | 300 | ns |
| t_{AA} | SCL low to SDA data output valid time | | 900 | ns |
| t_{DH} | SDA data output hold time | 50 | | ns |
| T_I | Noise suppression time constant at SCL and SDA inputs | 50 | | ns |
| t_{BUF} | Bus free rime (prior to any transmission) | 1300 | | ns |
| $t_{SU:WPA}$ | \overline{WP} , A0, A1, A2 and A3 setup time | 0 | | ns |
| $t_{HD:WPA}$ | \overline{WP} , A0, A1, A2 and A3 hold time | 0 | | ns |

HIGH-VOLTAGE WRITE CYCLE TIMING

| Symbol | Parameter | Typ. | Max. | Unit |
|----------|--|------|------|------|
| t_{WR} | High-voltage write cycle time (store instructions) | 5 | 10 | ms |

X9258

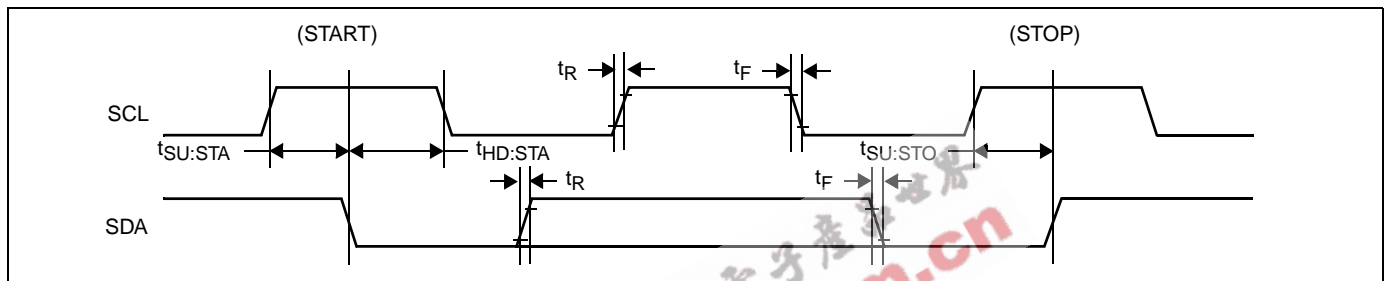
DCP TIMING

| Symbol | Parameter | Min. | Max. | Unit |
|------------|---|------|------|---------------|
| t_{WRPO} | Wiper response time after the third (last) power supply is stable | | 10 | μs |
| t_{WRL} | Wiper response time after instruction issued (all load instructions) | | 10 | μs |
| t_{WRID} | Wiper response time from an active SCL/SCK edge (increment/decrement instruction) | | 10 | μs |

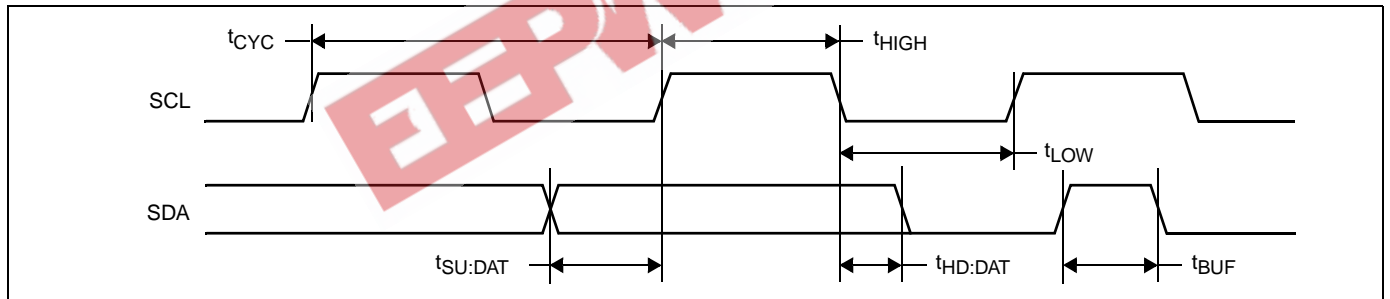
Note: (8) A device must internally provide a hold time of at least 300ns for the SDA signal in order to bridge the undefined region of the falling edge of SCL.

TIMING DIAGRAMS 2-WIRE INTERFACE

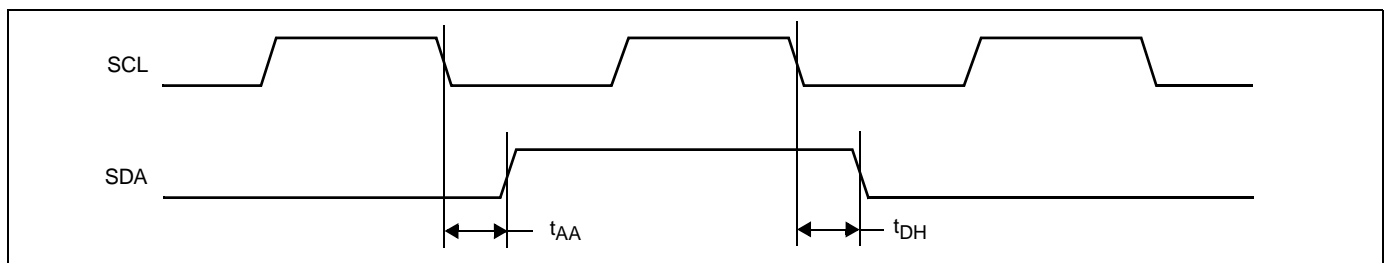
START and STOP Timing



Input Timing

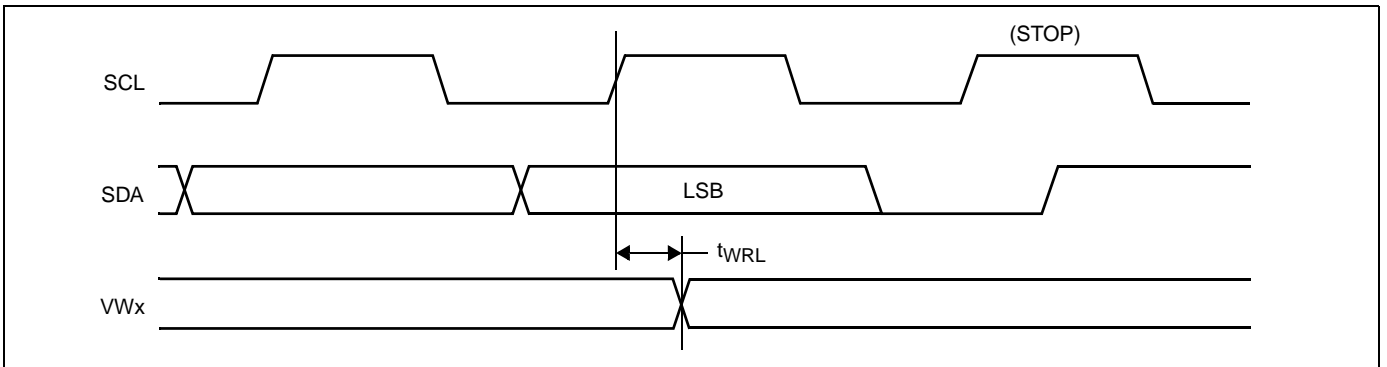


Output Timing

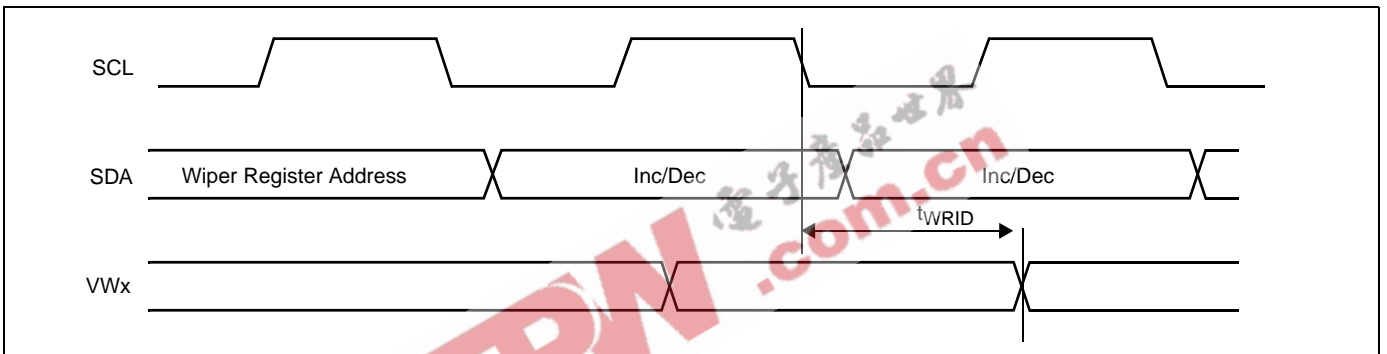


X9258

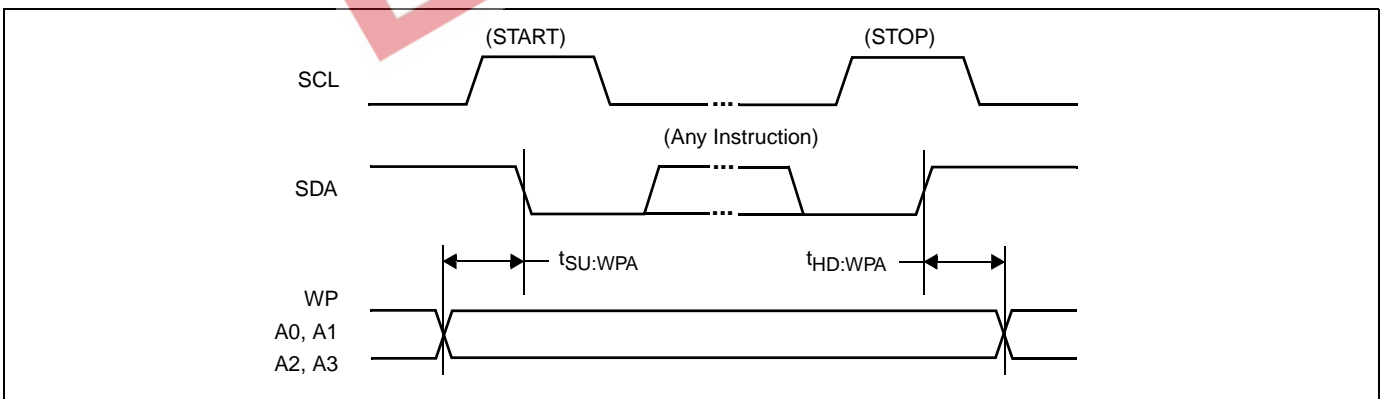
DCP Timing (for All Load Instructions)



DCP Timing (for Increment/Decrement Instruction)

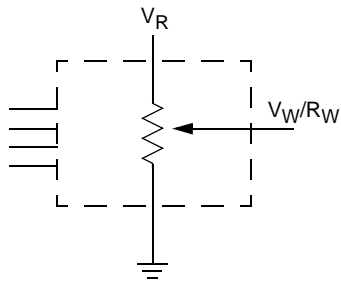


Write Protect and Device Address Pins Timing

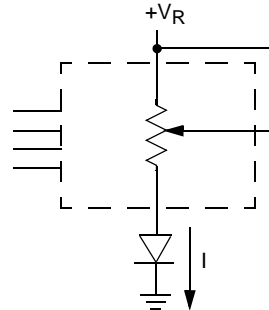


APPLICATIONS INFORMATION

Basic Configurations of Electronic Potentiometers



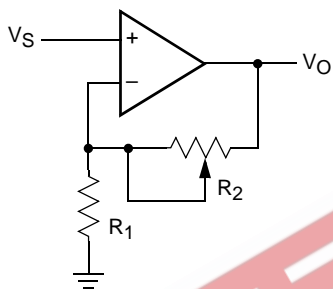
Three terminal Potentiometer;
Variable voltage divider



Two terminal Variable Resistor;
Variable current

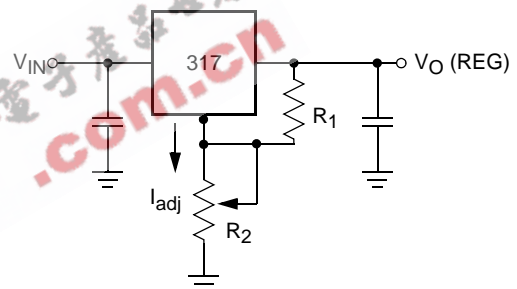
Application Circuits

Noninverting Amplifier



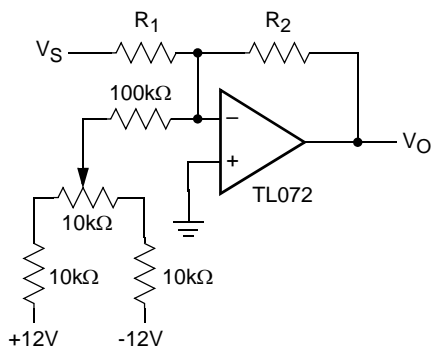
$$V_O = (1 + R_2/R_1)V_S$$

Voltage Regulator

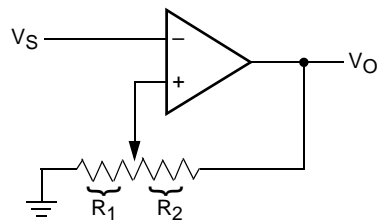


$$V_O (\text{REG}) = 1.25V (1 + R_2/R_1) + I_{\text{adj}} R_2$$

Offset Voltage Adjustment



Comparator with Hysteresis

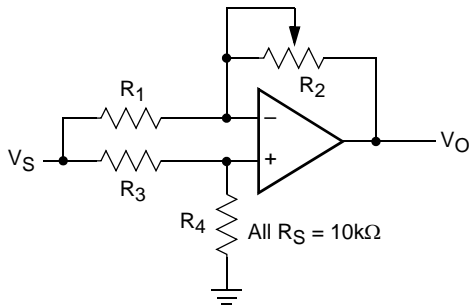


$$V_{UL} = \{R_1/(R_1 + R_2)\} V_O(\text{max})$$

$$V_{LL} = \{R_1/(R_1 + R_2)\} V_O(\text{min})$$

Application Circuits (continued)

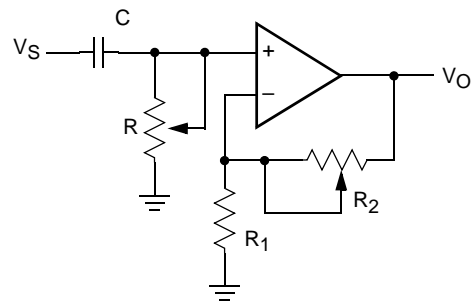
Attenuator



$$V_O = G V_S$$

$$-1/2 \leq G \leq +1/2$$

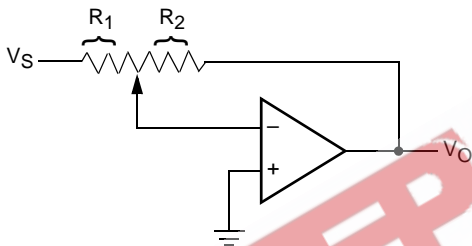
Filter



$$G_O = 1 + R_2/R_1$$

$$f_c = 1/(2\pi RC)$$

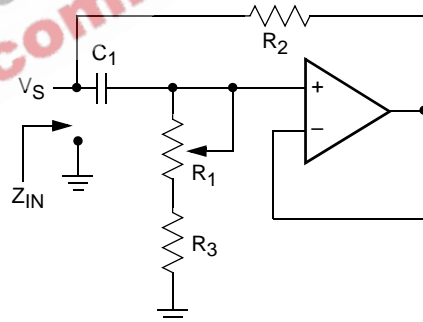
Inverting Amplifier



$$V_O = G V_S$$

$$G = -R_2/R_1$$

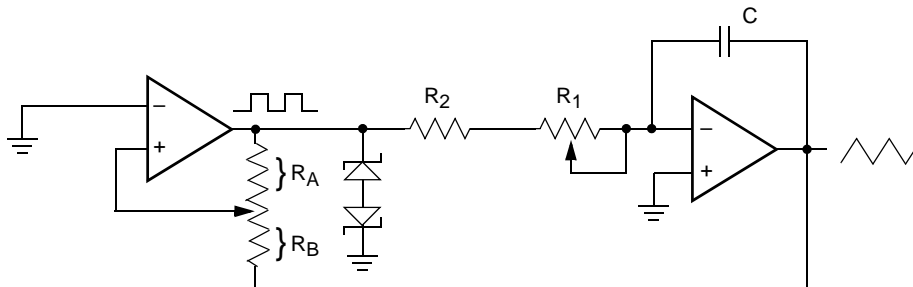
Equivalent L-R Circuit



$$Z_{IN} = R_2 + s R_2 (R_1 + R_3) C_1 = R_2 + s L_{eq}$$

$$(R_1 + R_3) \gg R_2$$

Function Generator



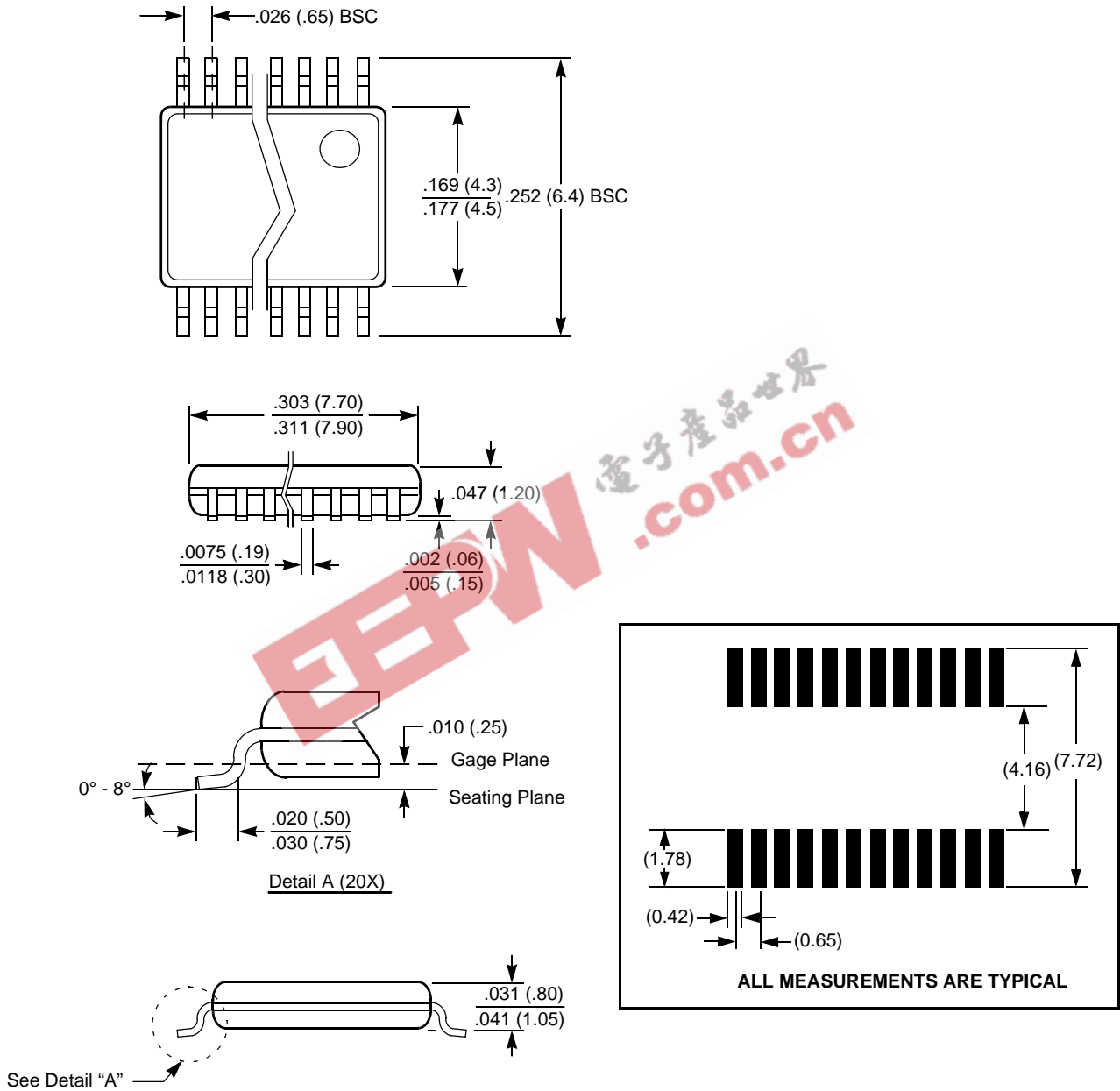
$$\text{frequency} \propto R_1, R_2, C$$

$$\text{amplitude} \propto R_A, R_B$$

X9258

PACKAGING INFORMATION

24-Lead Plastic, TSSOP, Package Code V24

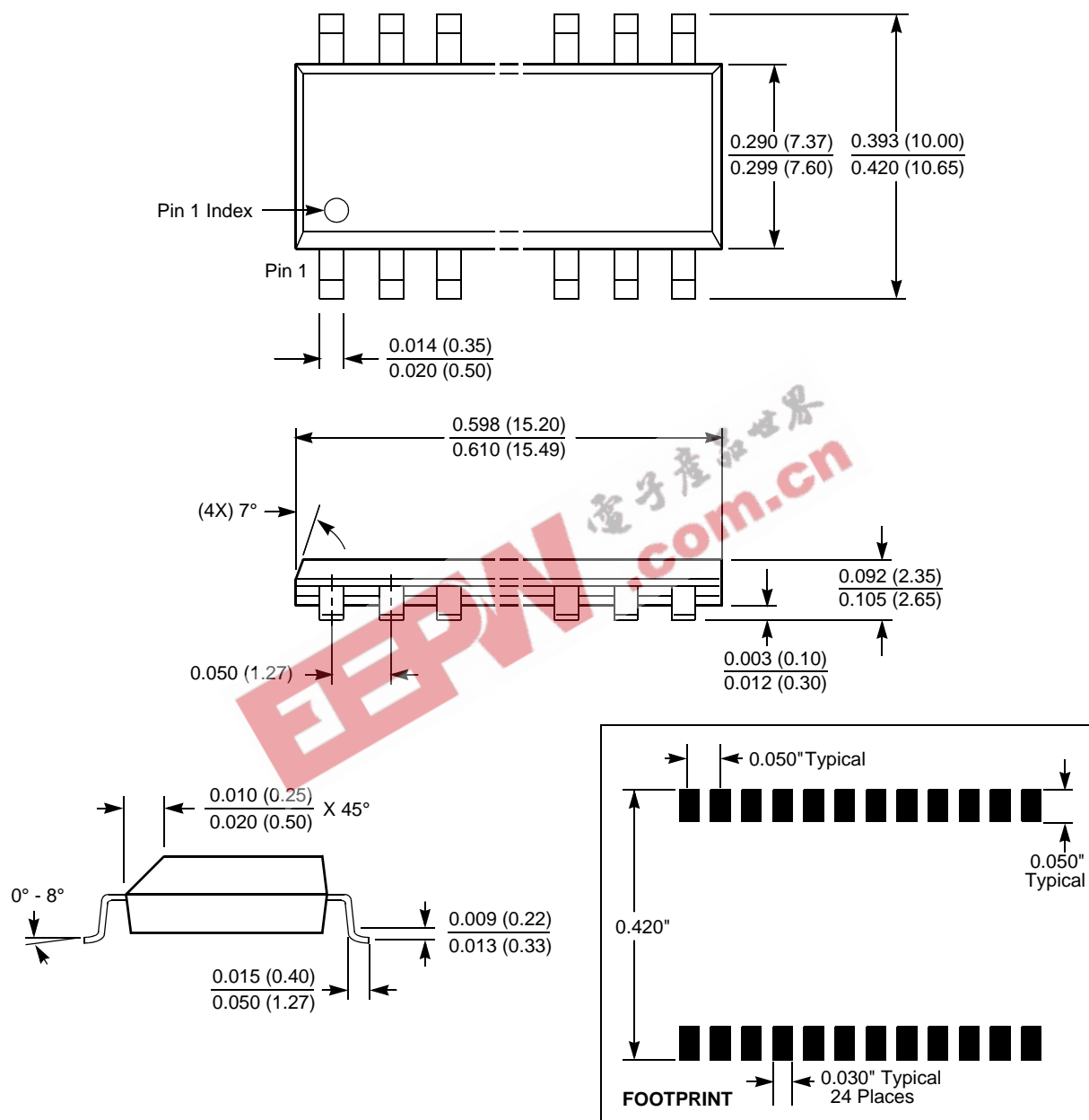


NOTE: ALL DIMENSIONS IN INCHES (IN PARENTHESES IN MILLIMETERS)

X9258

PACKAGING INFORMATION

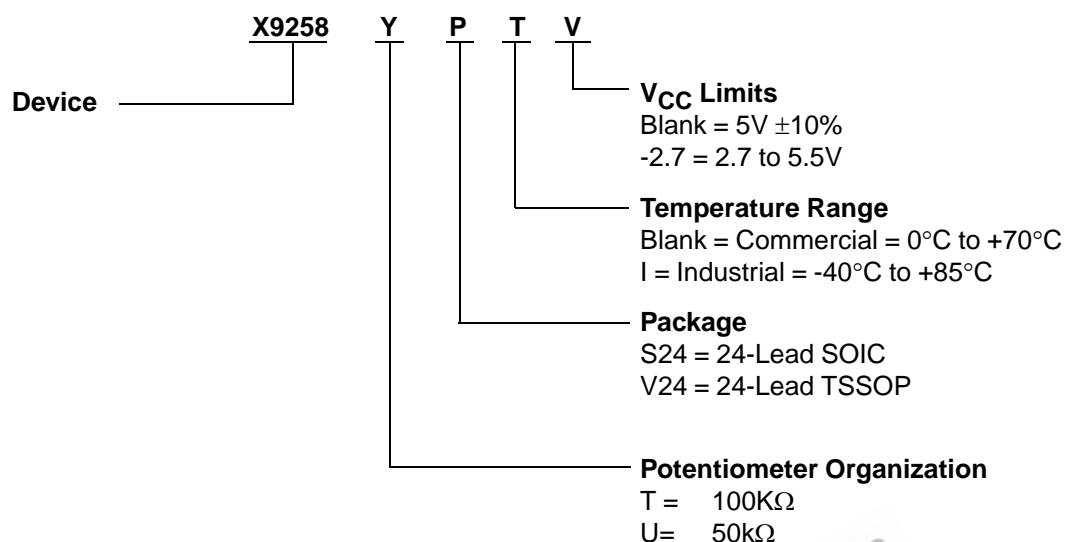
24-Lead Plastic Small Outline Gull Wing Package Type S



NOTE: ALL DIMENSIONS IN INCHES (IN PARENTHESES IN MILLIMETERS)

X9258

Ordering Information



S & V Package Marking

| | |
|---------|-----------------|
| Line #1 | (Blank) |
| Line #2 | (Part Number) |
| Line #3 | (Date Code) (*) |
| Line #4 | (Blank) |

= F 2.7V 0 to 70°C
G 2.7V -40 to +85°C
I 5V -40 to +85°C

All Intersil U.S. products are manufactured, assembled and tested utilizing ISO9000 quality systems.
Intersil Corporation's quality certifications can be viewed at www.intersil.com/design/quality

Intersil products are sold by description only. Intersil Corporation reserves the right to make changes in circuit design, software and/or specifications at any time without notice. Accordingly, the reader is cautioned to verify that data sheets are current before placing orders. Information furnished by Intersil is believed to be accurate and reliable. However, no responsibility is assumed by Intersil or its subsidiaries for its use; nor for any infringements of patents or other rights of third parties which may result from its use. No license is granted by implication or otherwise under any patent or patent rights of Intersil or its subsidiaries.

For information regarding Intersil Corporation and its products, see www.intersil.com