

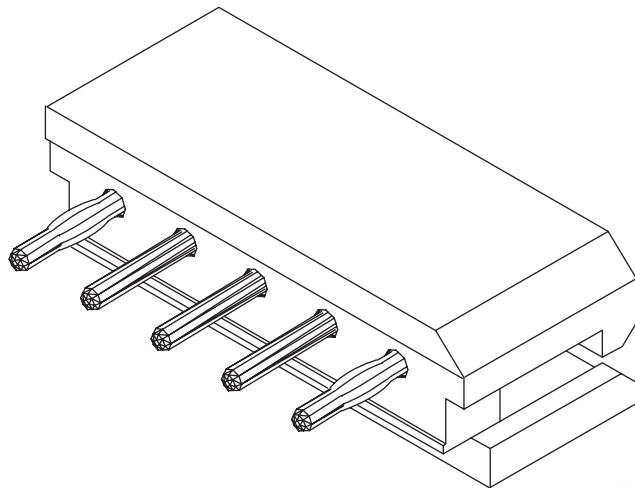
# 2.50mm (0.098") PITCH CONNECTOR

Wire-to-Board  
Wafer

YMW025-NNR Series

DIP

Straight

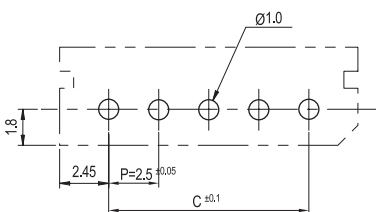
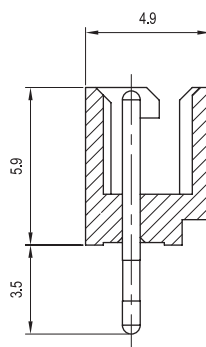
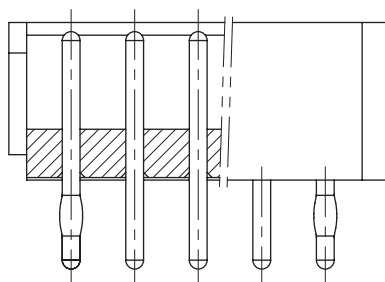
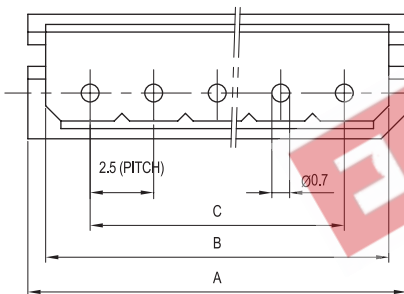


## Material

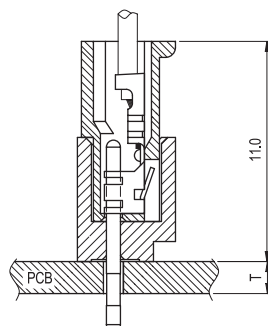
I/NO	DESCRIPTION	TITLE	MATERIAL
1	WAFER	YMW025-NNR	PA66, UL94 V Grade
2	PIN		Brass & Tin-Plated

## Available Pin

PARTS NO.	DIM. A	DIM. B	DIM. C
YMW025-02R	7.4	6.0	2.5
YMW025-03R	9.9	8.5	5.0
YMW025-04R	12.4	11.0	7.5
YMW025-05R	14.9	13.5	10.0
YMW025-06R	17.4	16.0	12.5
YMW025-07R	19.9	18.5	15.0
YMW025-08R	22.4	21.0	17.5
YMW025-09R	24.9	23.5	20.0
YMW025-10R	27.4	26.0	22.5
YMW025-11R	29.9	28.5	25.0
YMW025-12R	32.4	31.0	27.5
YMW025-13R	34.9	33.5	30.0
YMW025-14R	37.4	36.0	32.5
YMW025-15R	39.9	38.5	35.0



PCB LAYOUT



PCB ASSY

## Specification

ITEM	SPEC
Voltage Rating	AC/DC 250V
Current Rating	AC/DC 3A
Operating Temperature	-25°C~+85°C
Contact Resistance	30mΩ MAX
Withstanding Voltage	AC1000V/1min
Insulation Resistance	1000MΩ MIN
Applicable Wire	-
Applicable P.C.B	1.2~1.6mm
Applicable FPC/FFC	-
Solder Height	-
Crimp Tensile Strength	-
UL FILE NO	-