

Other

Pin Header : 2.54mm pitch

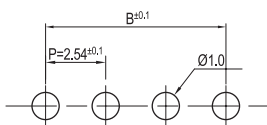
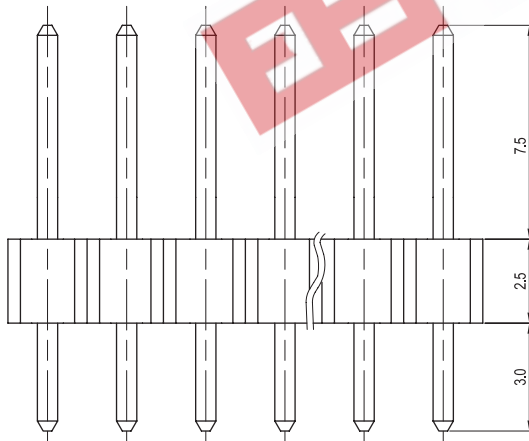
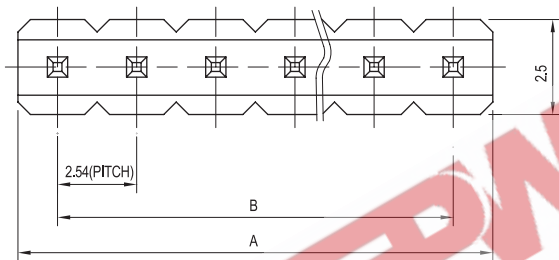
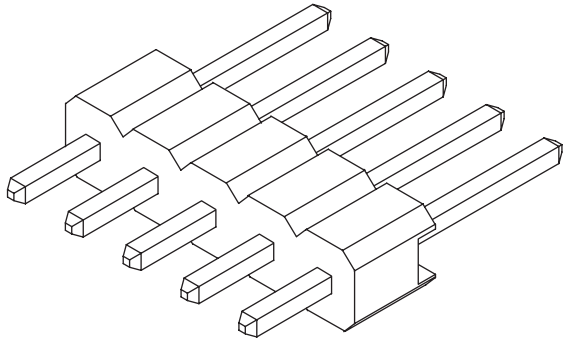


Wire-to-Board
Wafer

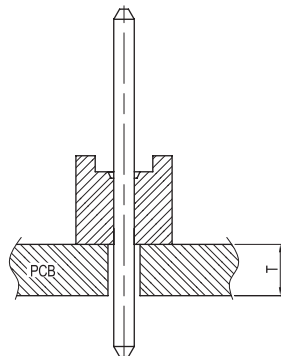
YFW254 Series

Dip

Straight



PCB LAYOUT



PCB ASSY

Material

| I/NO | DESCRIPTION | TITLE | MATERIAL |
|------|-------------|--------|--------------------|
| 1 | BODY | YFW254 | PA66, UL94 V-O |
| 2 | PIN | | Brass & Tin-Plated |

Available Pin

| PARTS NO. | DIM. A | DIM. B |
|-----------|--------|--------|
| YFW254-02 | 5.08 | 2.54 |
| YFW254-03 | 7.62 | 5.08 |
| YFW254-04 | 10.16 | 7.62 |
| YFW254-05 | 12.7 | 10.16 |
| YFW254-06 | 15.24 | 12.7 |
| YFW254-07 | 17.78 | 15.24 |
| YFW254-08 | 20.32 | 17.78 |
| YFW254-09 | 22.86 | 20.32 |
| YFW254-10 | 25.4 | 22.86 |
| YFW254-11 | 27.94 | 25.4 |
| YFW254-12 | 30.48 | 27.94 |
| YFW254-13 | 33.02 | 30.48 |
| YFW254-14 | 35.56 | 33.02 |
| YFW254-15 | 38.1 | 35.56 |
| YFW254-16 | 40.64 | 38.1 |
| YFW254-17 | 43.18 | 40.64 |
| YFW254-18 | 45.72 | 43.18 |
| YFW254-19 | 48.26 | 45.72 |
| YFW254-20 | 50.8 | 48.26 |

Specification

| ITEM | SPEC |
|------------------------|-------------|
| Voltage Rating | AC/DC 250V |
| Current Rating | AC/DC 2A |
| Operating Temperature | -25°C~+85°C |
| Contact Resistance | - |
| Withstanding Voltage | AC500V/1min |
| Insulation Resistance | 1000MΩ MIN |
| Applicable Wire | - |
| Applicable P.C.B | 1.2~1.6mm |
| Applicable FPC/FFC | - |
| Solder Height | - |
| Crimp Tensile Strength | - |
| UL FILE NO | - |