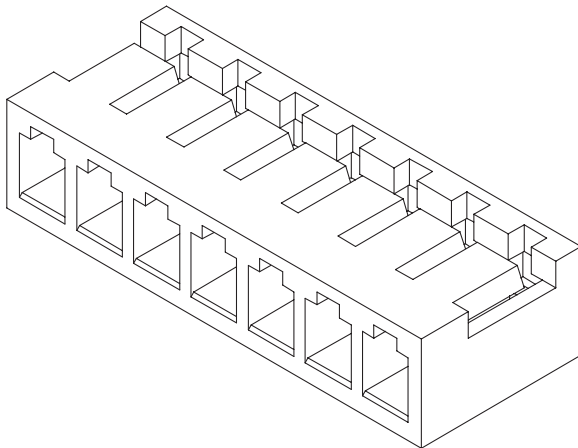


2.00mm (0.079") PITCH CONNECTOR



**Board-In
Housing**

YBNH200 Series

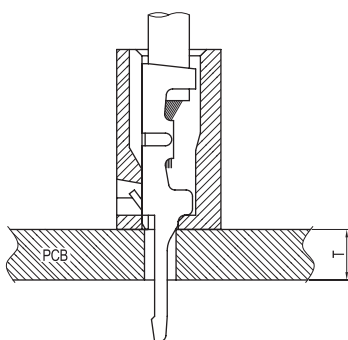
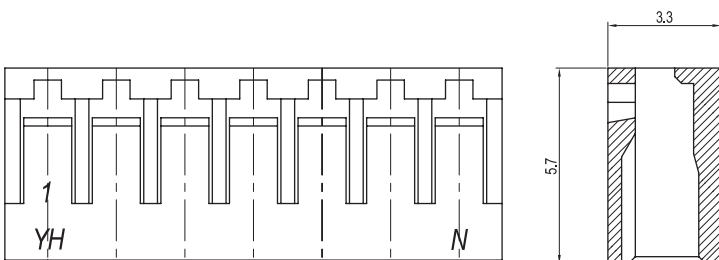
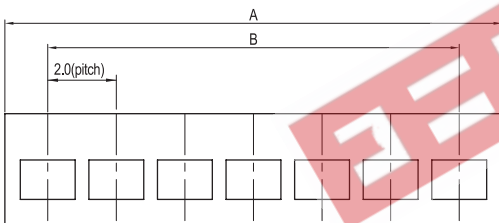


Material

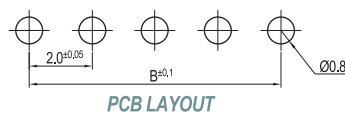
I/NO	DESCRIPTION	TITLE	MATERIAL
1	HOUSING	YBNH200	PA66, UL 94V Grade

Available Pin

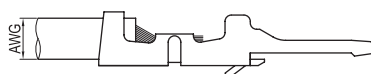
PARTS NO.	DIM. A	DIM. B
YBNH200-02	4.5	2.0
YBNH200-03	6.5	4.0
YBNH200-04	8.5	6.0
YBNH200-05	10.5	8.0
YBNH200-06	12.5	10.0
YBNH200-07	14.5	12.0
YBNH200-08	16.5	14.0
YBNH200-09	18.5	16.0
YBNH200-10	20.5	18.0
YBNH200-11	22.5	20.0
YBNH200-12	24.5	22.0
YBNH200-13	26.5	24.0
YBNH200-14	28.5	26.0
YBNH200-15	30.5	28.0



TERMINAL ASSEMBLY DRAWING



PCB LAYOUT



AWG : #26 ~ #30

Specification

ITEM	SPEC
Voltage Rating	AC/DC 250V
Current Rating	AC/DC 2A
Operating Temperature	-25℃~+85℃
Contact Resistance	-
Withstanding Voltage	AC1000V/1min
Insulation Resistance	1000MΩ MIN
Applicable Wire	AWG #26~#30
Applicable P.C.B	1.2mm~1.6mm
Applicable FPC/FFC	-
Solder Height	-
Crimp Tensile Strength	-
UL FILE NO	-

Application Terminal : YBST200