

Other

Pin Header : 2.54mm pitch

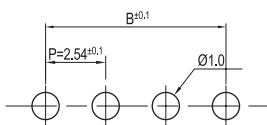
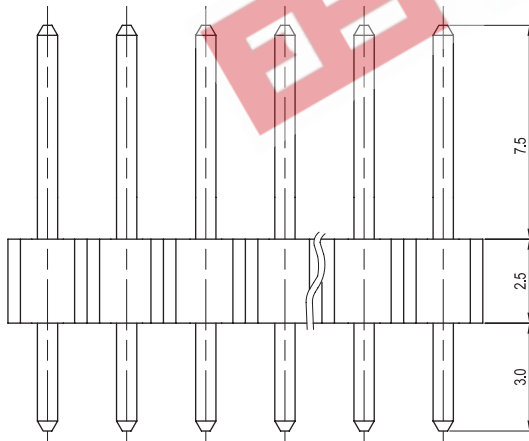
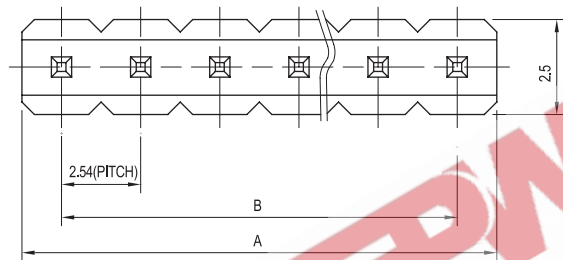
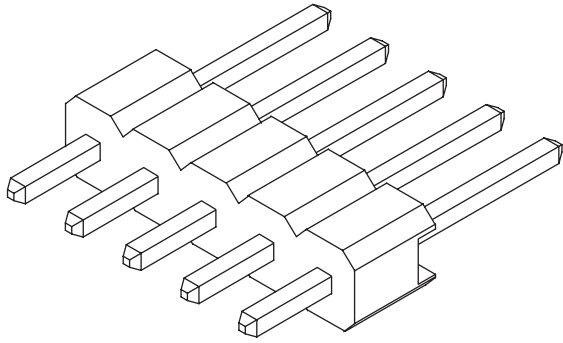


Wire-to-Board
Wafer

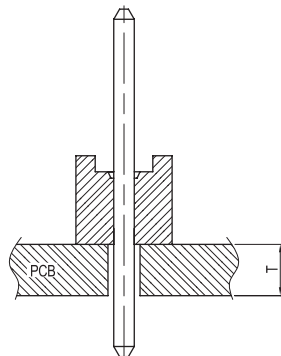
YFW254 Series

Dip

Straight



PCB LAYOUT



PCB ASSY

Material

I/NO	DESCRIPTION	TITLE	MATERIAL
1	BODY	YFW254	PA66, UL94 V-O
2	PIN		Brass & Tin-Plated

Available Pin

PARTS NO.	DIM. A	DIM. B
YFW254-02	5.08	2.54
YFW254-03	7.62	5.08
YFW254-04	10.16	7.62
YFW254-05	12.7	10.16
YFW254-06	15.24	12.7
YFW254-07	17.78	15.24
YFW254-08	20.32	17.78
YFW254-09	22.86	20.32
YFW254-10	25.4	22.86
YFW254-11	27.94	25.4
YFW254-12	30.48	27.94
YFW254-13	33.02	30.48
YFW254-14	35.56	33.02
YFW254-15	38.1	35.56
YFW254-16	40.64	38.1
YFW254-17	43.18	40.64
YFW254-18	45.72	43.18
YFW254-19	48.26	45.72
YFW254-20	50.8	48.26

Specification

ITEM	SPEC
Voltage Rating	AC/DC 250V
Current Rating	AC/DC 2A
Operating Temperature	-25°C~+85°C
Contact Resistance	-
Withstanding Voltage	AC500V/1min
Insulation Resistance	1000MΩ MIN
Applicable Wire	-
Applicable P.C.B	1.2~1.6mm
Applicable FPC/FFC	-
Solder Height	-
Crimp Tensile Strength	-
UL FILE NO	-