

2.00mm (0.079") PITCH CONNECTOR

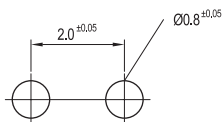
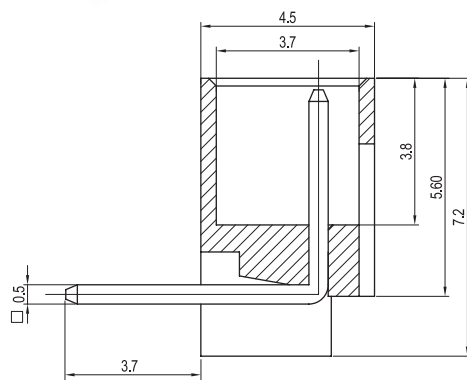
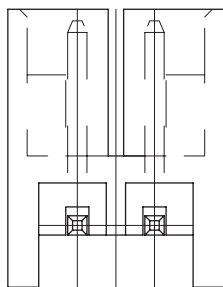
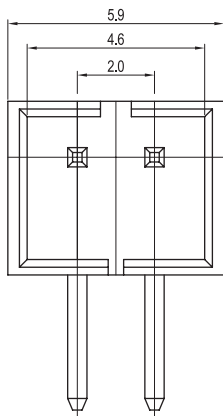
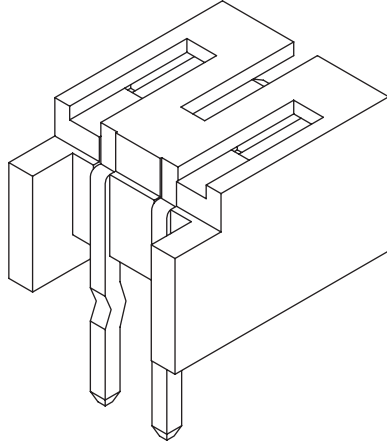


Wire-to-Board
Wafer

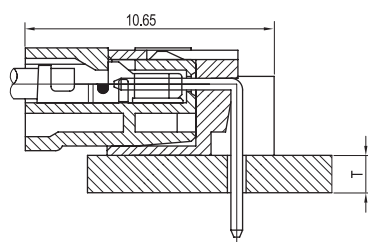
YVAW200 Series

DIP

Right Angle



P.C.B LAYOUT



TERMINAL ASSEMBLY DRAWING

Material

I/NO	DESCRIPTION	TITLE	MATERIAL
1	WAFER	YVAW200	PA66, UL 94V Grade
2	PIN		Brass & Tin-Plated

Specification

ITEM	SPEC
Voltage Rating	AC/DC 250V
Current Rating	AC/DC 3A
Operating Temperature	-25°C~+85°C
Contact Resistance	30mΩ MAX
Withstanding Voltage	AC1000V/1min
Insulation Resistance	1000MΩ MIN
Applicable Wire	-
Applicable P.C.B	1.2~1.6mm
Applicable FPC/FFC	-
Solder Height	-
Crimp Tensile Strength	-
UL FILE NO	-