

2.00mm (0.079") PITCH CONNECTOR

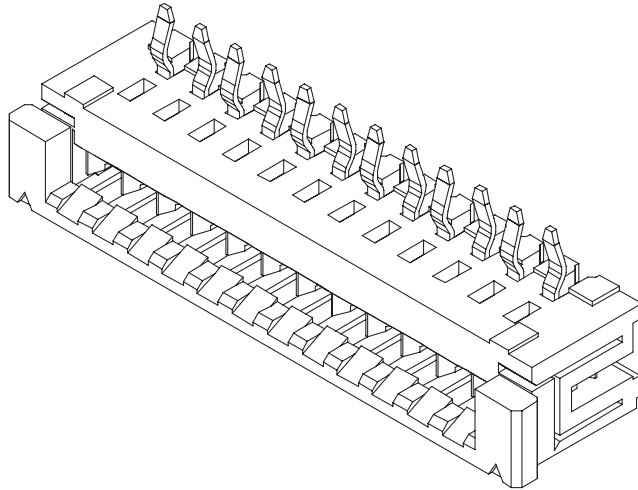


Cable Socket Housing

YCH200-NNR Series

DIP, CABLE SOCKET

Right Angle

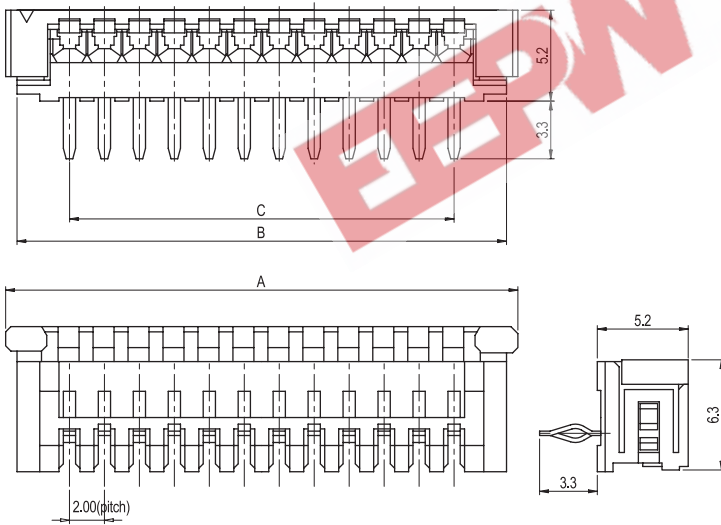


Material

I/NO	DESCRIPTION	TITLE	MATERIAL
1	HOUSING	YCH200-NNR	P.B.T, UL94 V Grade
2	ACTUATOR	YCH200-AC	P.B.T, UL94 V Grade
3	CONTACT	YCT200	Phosphor Bronze & Tin-Plated

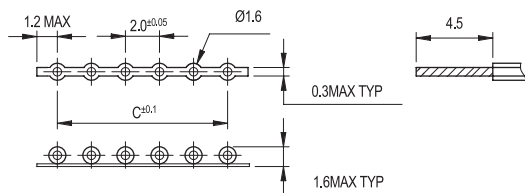
Available Pin

PARTS NO.	DIM. A	DIM. B	DIM. C
YCH200-02R	9.3	8.0	2.0
YCH200-03R	11.3	10.0	4.0
YCH200-04R	13.3	12.0	6.0
YCH200-05R	15.3	14.0	8.0
YCH200-06R	17.3	16.0	10.0
YCH200-07R	19.3	18.0	12.0
YCH200-08R	21.3	20.0	14.0
YCH200-09R	23.3	22.0	16.0
YCH200-10R	25.3	24.0	18.0
YCH200-11R	27.3	26.0	20.0
YCH200-12R	29.3	28.0	22.0
YCH200-13R	31.3	30.0	24.0
YCH200-14R	33.3	32.0	26.0
YCH200-15R	35.3	34.0	28.0
YCH200-16R	37.3	36.0	30.0
YCH200-17R	39.3	38.0	32.0
YCH200-18R	41.3	40.0	34.0
YCH200-19R	43.3	42.0	36.0
YCH200-20R	45.3	44.0	38.0

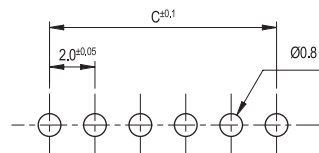


Specification

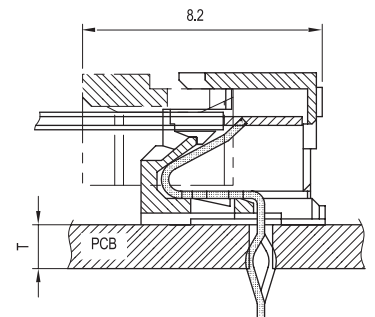
ITEM	SPEC
Voltage Rating	AC/DC 125V
Current Rating	AC/DC 2A
Operating Temperature	-25°C ~ +85°C
Contact Resistance	30mΩ MAX
Withstanding Voltage	AC500V/1min
Insulation Resistance	1000MΩ MIN
Applicable Wire	-
Applicable P.C.B	1.2~1.6mm
Applicable FPC/FFC	0.3±0.05mm
Solder Height	-
Crimp Tensile Strength	-
UL FILE NO	-



APPLICABLE WIRE RECOMMENDED DIMENSION



PCB LAYOUT



PCB ASSY