

Low Noise, Low Power, 32 Taps

X9316

E2POT™ Nonvolatile Digital Potentiometer

FEATURES

- **Low Micropower CMOS**
 - $V_{CC} = 3V$ to $5.5V$
 - **Active Current, $50\mu A$ (Increment) Max**
 - **Standby Current, $400\mu A$ (Store) Max**
- **Low Noise**
- **31 Resistive Elements**
 - **Temperature Compensated**
 - **$\pm 20\%$ End to End Resistance Range**
 - **$-5V$ to $+5V$**
- **32 Wiper Tap Points**
 - **Wiper Positioned via Three-Wire Interface**
 - **Similar to TTL Up/Down Counter**
 - **Wiper Position Stored in Nonvolatile Memory and Recalled on Power-Up**
- **100 Year Wiper Position Data Retention**
- **X9316Z = $1K\Omega$**
- **X9316W = $10K\Omega$**
- **Packages**
 - **14-Lead PDIP**
 - **14-Lead SOIC**

DESCRIPTION

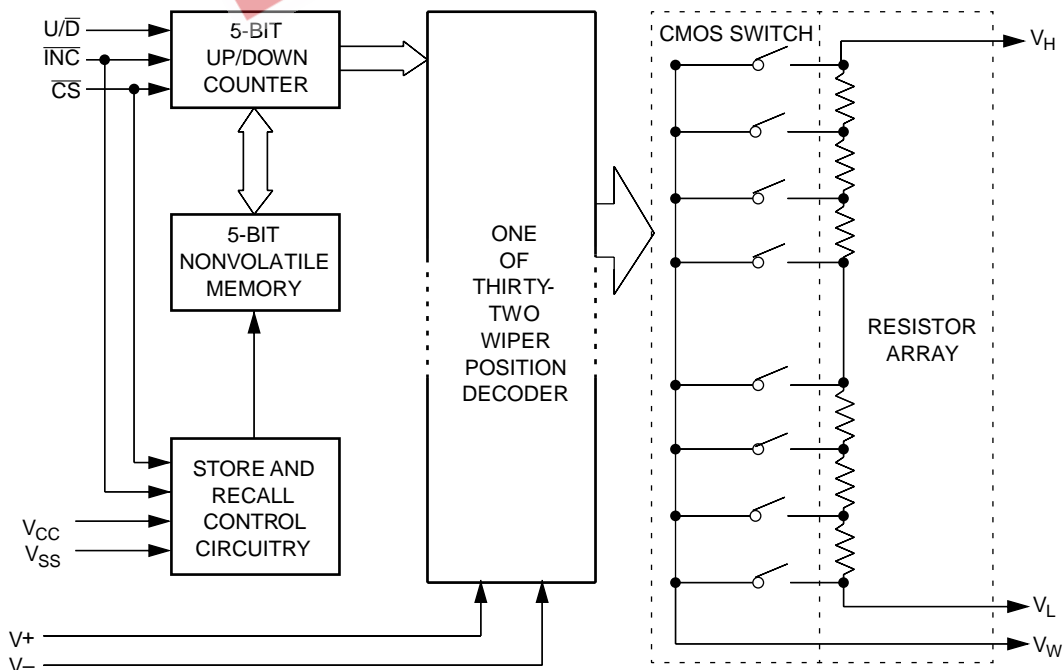
The Xicor X9316 is a solid state “micropower” nonvolatile potentiometer and is ideal for digitally controlled resistance trimming in battery-powered systems.

The X9316 is a resistor array composed of 31 resistive elements. Between each element and at either end are tap points accessible to the wiper element. The position of the wiper element is controlled by the \overline{CS} , U/\overline{D} , and \overline{INC} inputs. The position of the wiper can be stored in nonvolatile memory and then be recalled upon a subsequent power-up operation.

The resolution of the X9316 is equal to the maximum resistance value divided by 31. As an example, for the X9316W ($10K\Omega$) each tap point represents 323Ω .

All Xicor nonvolatile memories are designed and tested for applications requiring extended endurance and data retention.

FUNCTIONAL DIAGRAM



X9316

PIN DESCRIPTIONS

V_H and V_L

The high (V_H) and low (V_L) terminals of the X9316 are equivalent to the fixed terminals of a mechanical potentiometer. The minimum voltage is V_- and the maximum is V_+ . It should be noted that the terminology of V_L and V_H references the relative position of the terminal in relation to wiper movement direction selected by the U/\bar{D} input and not the voltage potential on the terminal.

V_W

V_W is the wiper terminal, equivalent to the movable terminal of a mechanical potentiometer. The position of the wiper within the array is determined by the control inputs. The wiper terminal series resistance is typically 100Ω.

Up/Down (U/\bar{D})

The U/\bar{D} input controls the direction of the wiper movement and whether the counter is incremented or decremented.

Increment (\bar{INC})

The \bar{INC} input is negative-edge triggered. Toggling \bar{INC} will move the wiper and either increment or decrement the counter in the direction indicated by the logic level on the U/\bar{D} input.

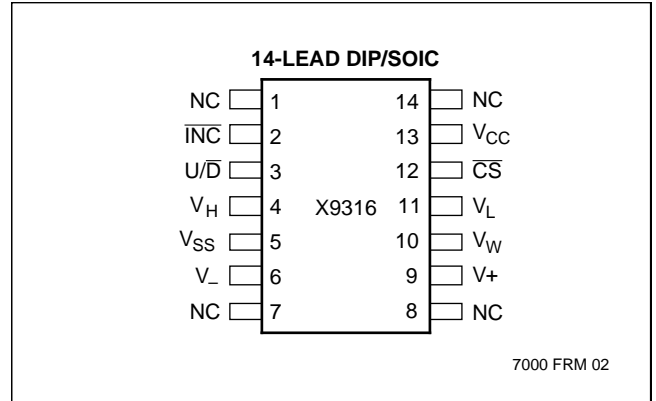
Chip Select (\bar{CS})

The device is selected when the \bar{CS} input is LOW. The current counter value is stored in nonvolatile memory when \bar{CS} is returned HIGH while the \bar{INC} input is also HIGH. After the store operation is complete, the X9316 will be placed in the low power standby mode until the device is selected once again.

V_+ , V_- (Analog positive/negative power supply)

The V_+ and V_- pins supply an external voltage to the wiper position decoder.

PIN CONFIGURATION



PIN NAMES

Symbol	Description
V_H	High Terminal
V_W	Wiper Terminal
V_L	Low Terminal
V_{SS}	Ground
V_{CC}	Supply Voltage
U/\bar{D}	Up/Down Input
\bar{INC}	Increment Input
\bar{CS}	Chip Select Input
V_+	Positive Analog Voltage
V_-	Negative Analog Voltage

7000 FRM T01.1

X9316

DEVICE OPERATION

There are three sections of the X9316: the input control, counter and decode section; the nonvolatile memory; and the resistor array. The input control section operates just like an up/down counter. The output of this counter is decoded to turn on a single electronic switch connecting a point on the resistor array to the wiper output. Under the proper conditions the contents of the counter can be stored in nonvolatile memory and retained for future use. The resistor array is comprised of 31 individual resistors connected in series. At either end of the array and between each resistor is an electronic switch that transfers the potential at that point to the wiper.

The \overline{INC} , U/\overline{D} and \overline{CS} inputs control the movement of the wiper along the resistor array. With \overline{CS} set LOW the X9316 is selected and enabled to respond to the U/\overline{D} and \overline{INC} inputs. HIGH to LOW transitions on \overline{INC} will increment or decrement (depending on the state of the U/\overline{D} input) a seven bit counter. The output of this counter is decoded to select one of thirty two wiper positions along the resistive array.

The wiper, when at either fixed terminal, acts like its mechanical equivalent and does not move beyond the last position. That is, the counter does not wrap around when clocked to either extreme.

The value of the counter is stored in nonvolatile memory whenever \overline{CS} transitions HIGH while the \overline{INC} input is also HIGH.

When the X9316 is powered-down, the last counter position stored will be maintained in the nonvolatile memory. When power is restored, the contents of the memory are recalled and the counter is reset to the value last stored.

Operation Notes

The system may select the X9316, move the wiper and deselect the device without having to store the latest wiper position in nonvolatile memory. The wiper movement is performed as described above; once the new position is reached, the system would keep \overline{INC} LOW while taking \overline{CS} HIGH. The new wiper position would be maintained until changed by the system or until a power-up/down cycle recalled the previously stored data.

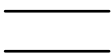

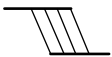
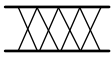
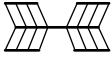
This would allow the system to always power-up to a pre-set value stored in nonvolatile memory; then during system operation minor adjustments could be made. The adjustments might be based on user preference, system parameter changes due to temperature drift, etc...

The state of U/\overline{D} may be changed while \overline{CS} remains LOW. This allows the host system to enable the X9316 and then move the wiper up and down until the proper trim is attained.

T_{IW}/R_{TOTAL}

The electronic switches on the X9316 operate in a "make before break" mode when the wiper changes tap positions. If the wiper is moved several positions multiple taps are connected to the wiper for t_{IW} (\overline{INC} to V_W change). The R_{TOTAL} value for the device can temporarily be reduced by a significant amount if the wiper is moved several positions.

SYMBOL TABLE

WAVEFORM	INPUTS	OUTPUTS
	Must be steady	Will be steady
	May change from Low to High	Will change from Low to High
	May change from High to Low	Will change from High to Low
	Don't Care: Changes Allowed	Changing: State Not Known
	N/A	Center Line is High Impedance

X9316

ABSOLUTE MAXIMUM RATINGS*

Temperature under Bias	-65°C to +135°C
Storage Temperature	-65°C to +150°C
Voltage on \overline{CS} , \overline{INC} , U/\overline{D} and V_{CC} with Respect to V_{SS}	-1V to +7V
Voltage on V_H and V_L Referenced to V_{SS} $\Delta V = V_H - V_L $	
X9316Z	4V
X9316W	10V
Lead Temperature (Soldering 10 seconds)	300°C
Wiper Current	± 1 mA

ANALOG CHARACTERISTICS

Electrical Characteristics

End-to-End Resistance Tolerance	$\pm 20\%$
Power Rating at 25°C	
X9316Z	16mW
X9316W	10mW
Wiper Current	± 1 mA Max.
Typical Wiper Resistance	100 Ω at 1mA
Typical Noise	< -140dB $\sqrt{\text{Hz}}$ Ref: 1V

Resolution

Resistance	3%
------------------	----

Linearity

Absolute Linearity ⁽¹⁾	± 1.0 MI ⁽²⁾
Relative Linearity ⁽³⁾	± 0.2 MI ⁽²⁾

*COMMENT

Stresses above those listed under "Absolute Maximum Ratings" may cause permanent damage to the device. This is a stress rating only and the functional operation of the device at these or any other conditions above those listed in the operational sections of this specification is not implied. Exposure to absolute maximum rating conditions for extended periods may affect device reliability.

Temperature Coefficient

(-40°C to +85°C)	+300 ppm/°C Typical
Ratiometric Temperature Coefficient	± 20 ppm

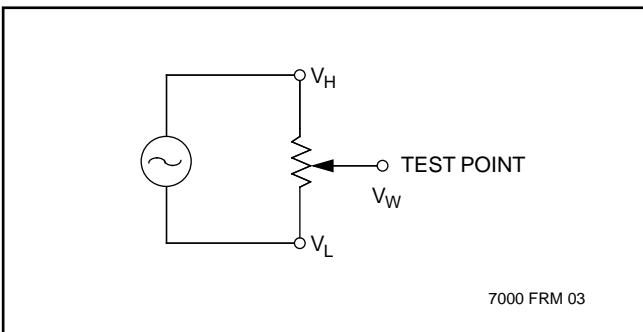
Wiper Adjustability

Unlimited Wiper Adjustment (Non-Store operation)	
Wiper Position Store Operations	100,000

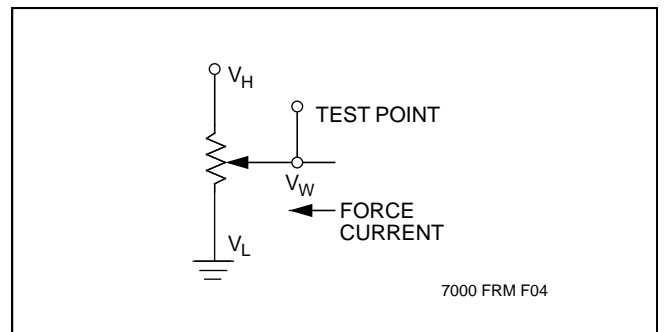
Physical Characteristics

Marking Includes	
Manufacturer's Trademark	
Resistance Value or Code	
Date Code	

Test Circuit #1



Test Circuit #2



- Notes:**
- (1) Absolute Linearity is utilized to determine actual wiper voltage versus expected voltage
 $= (V_{w(n)}(\text{actual}) - V_{w(n)}(\text{expected})) = \pm 1$ MI Maximum.
 - (2) 1 MI = Minimum Increment = $R_{TOT}/31$.
 - (3) Relative Linearity is a measure of the error in step size between taps = $V_{w(n+1)} - [V_{w(n)} + \text{MI}] = +0.2$ MI.

X9316

RECOMMENDED OPERATING CONDITIONS

Temperature	Min.	Max.
Commercial	0°C	+70°C
Industrial	-40°C	+85°C

7000 FRM T02

Supply Voltage	Limits
X9316	5V ±10%

7000 FRM T03.1

D.C. OPERATING CHARACTERISTICS (Over recommended operating conditions unless otherwise specified.)

Symbol	Parameter	Limits			Units	Test Conditions
		Min.	Typ.(4)	Max.		
I _{CC}	V _{CC} Active Current (Increment)			50	μA	$\overline{CS} = V_{IL}$, $U/\overline{D} = V_{IL}$ or V_{IH} and $\overline{INC} = 0.4V/2.4V$ @ max. t_{CYC}
	V _{CC} Active Current (Store)			400	μA	
I _{SB}	Standby Supply Current			1	μA	$\overline{CS} = V_{CC} - 0.3V$, U/\overline{D} and $\overline{INC} = V_{SS}$ or $V_{CC} - 0.3V$
I _{V+} ⁽⁵⁾	V+ Supply Current			400	μA	$\overline{CS} = V_{IL}$, $U/\overline{D} = V_{IL}$ or V_{IH} and $\overline{INC} = 0.4V/2.4V$ @ max. t_{CYC}
I _{V-} ⁽⁵⁾	V- Supply Current			400	μA	$\overline{CS} = V_{IL}$, $U/\overline{D} = V_{IL}$ or V_{IH} and $\overline{INC} = 0.4V/2.4V$ @ max. t_{CYC}
I _{LI}	\overline{CS} , \overline{INC} , U/\overline{D} Input Leakage Current			±10	μA	$V_{IN} = V_{SS}$ to V_{CC}
V _{IH}	\overline{CS} , \overline{INC} , U/\overline{D} Input HIGH Voltage	2		V _{CC} + 1	V	
V _{IL}	\overline{CS} , \overline{INC} , U/\overline{D} Input LOW Voltage	-1		0.8	V	
R _W	Wiper Resistance		100	200	Ω	Max. Wiper Current ±1mA
V _{VH}	VH Terminal Voltage	V ₋		V ₊	V	
V _{VL}	VL Terminal Voltage	V ₋		V ₊	V	
V+	Analog Positive Power Supply	V _{CC}		V _{CC}	V	
V-	Analog Negative Power Supply	-V _{CC}		0	V	
C _{IN} ⁽⁵⁾	\overline{CS} , \overline{INC} , U/\overline{D} Input Capacitance			10	pF	V _{CC} = 5V, V _{IN} = V _{SS} , T _A = 25°C

7000 FRM T04.1

STANDARD PARTS

Part Number	Maximum Resistance	Wiper Increments	Minimum Resistance
X9316Z	1KΩ	32.3Ω	100Ω
X9316W	10KΩ	323Ω	100Ω

7000 FRM T05

Notes: (4) Typical values are for T_A = 25°C and nominal supply voltage.

(5) This parameter is periodically sampled and not 100% tested.

X9316

A.C. CONDITIONS OF TEST

Input Pulse Levels	0V to 3V
Input Rise and Fall Times	10ns
Input Reference Levels	1.5V

7000 FRM T06

MODE SELECTION

\overline{CS}	\overline{INC}	U/D	Mode
L		H	Wiper Up
L		L	Wiper Down
	H	X	Store Wiper Position
H	X	X	Standby
	L	X	No Store, Return to Standby

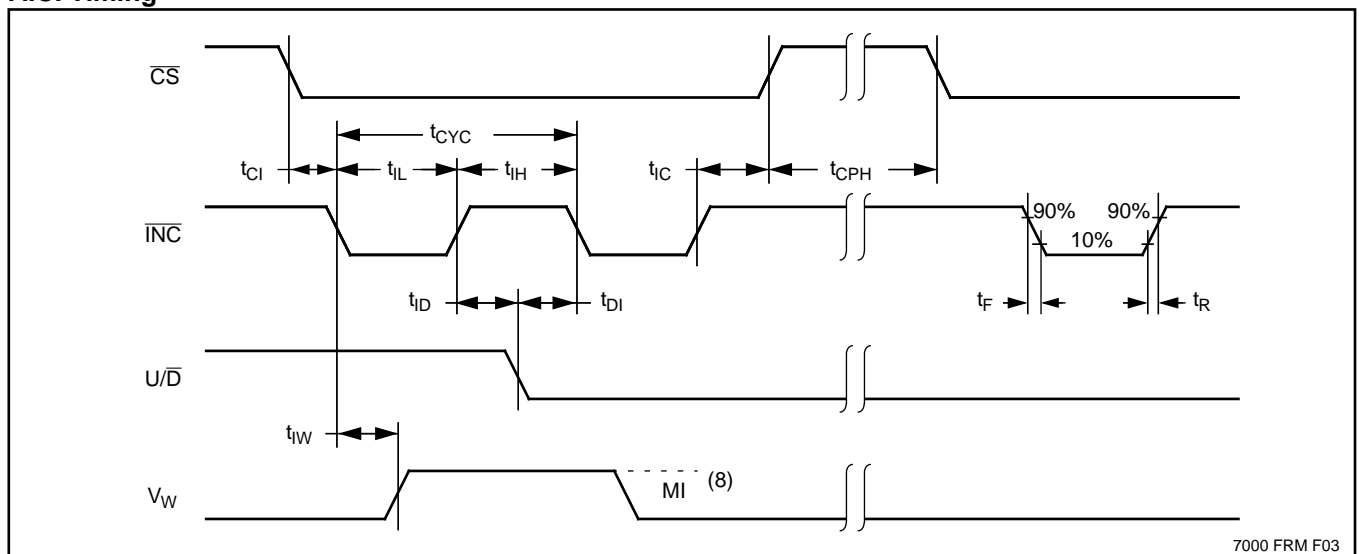
7000 FRM T07

A.C. OPERATING CHARACTERISTICS (Over recommended operating conditions unless otherwise specified)

Symbol	Parameter	Limits			Units
		Min.	Typ.(6)	Max.	
t_{CI}	\overline{CS} to \overline{INC} Setup	100			ns
t_{ID}	\overline{INC} HIGH to U/D Change	100			ns
t_{DI}	U/D to \overline{INC} Setup	2.9			μ s
t_{IL}	\overline{INC} LOW Period	1			μ s
t_{IH}	\overline{INC} HIGH Period	1			μ s
t_{IC}	\overline{INC} Inactive to \overline{CS} Inactive	1			μ s
t_{CPH1}	\overline{CS} Deselect Time (STORE)	10			ms
t_{CPH2}	\overline{CS} Deselect Time (NO STORE)	100			ns
t_{IW}	\overline{INC} to V_W Change		1	5	μ s
t_{CYC}	\overline{INC} Cycle Time	4			μ s
$t_R, t_F^{(7)}$	$\overline{CS}, \overline{INC}$ Input Rise and Fall Time			500	μ s
$t_{PU}^{(7)}$	Power up to Wiper Stable			5	μ s
$t_R V_{CC}^{(7)}$	V_{CC} Power-up Rate	0.2		50	mV/ μ s
t_{WR}	Store Cycle		5	10	ms

7000 FRM T08.1

A.C. Timing



7000 FRM F03

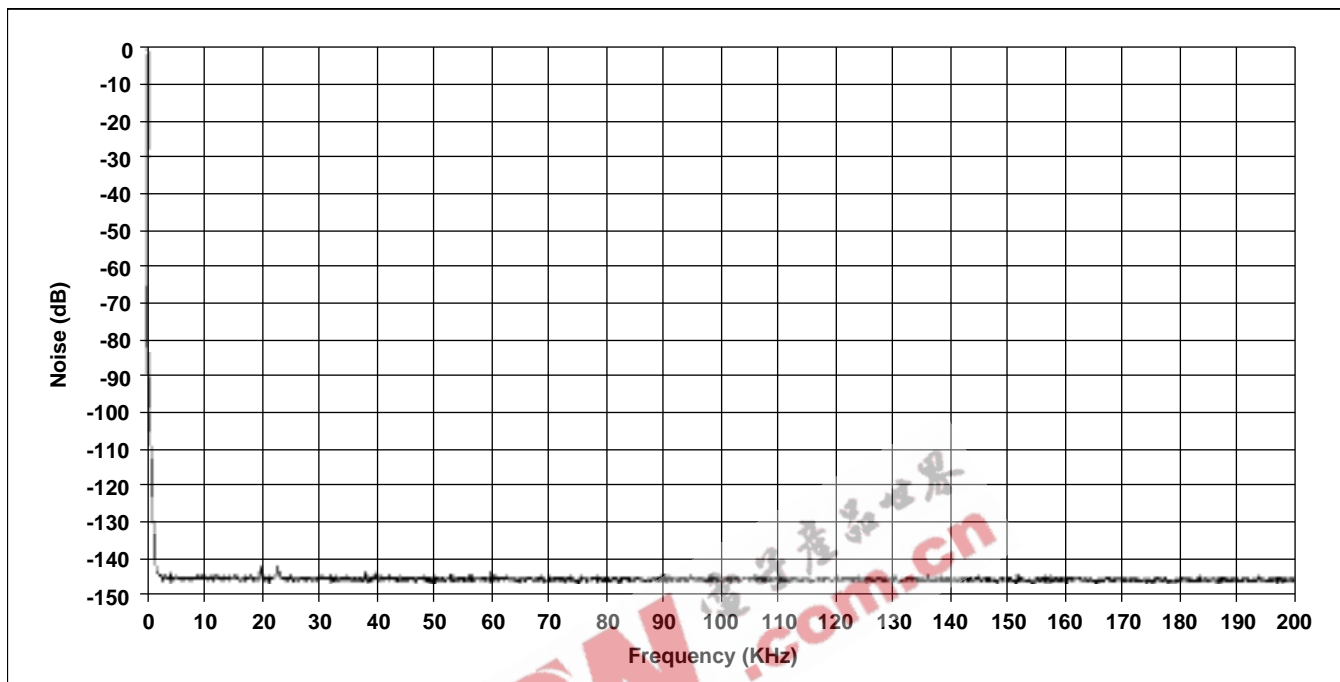
Notes: (6) Typical values are for $T_A = 25^\circ\text{C}$ and nominal supply voltage.

(7) This parameter is periodically sampled and not 100% tested.

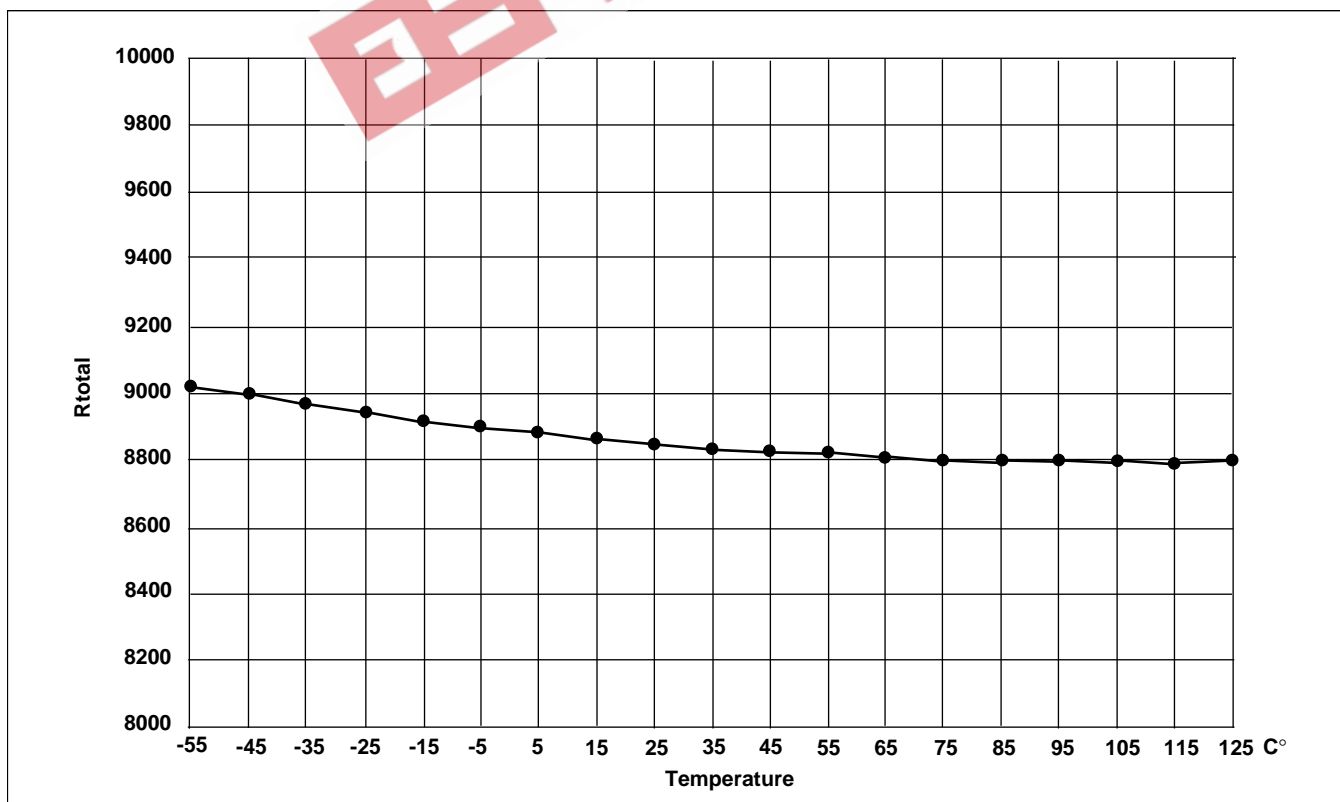
(8) MI in the A.C. timing diagram refers to the minimum incremental change in the V_W output due to a change in the wiper position.

X9316

TYPICAL NOISE

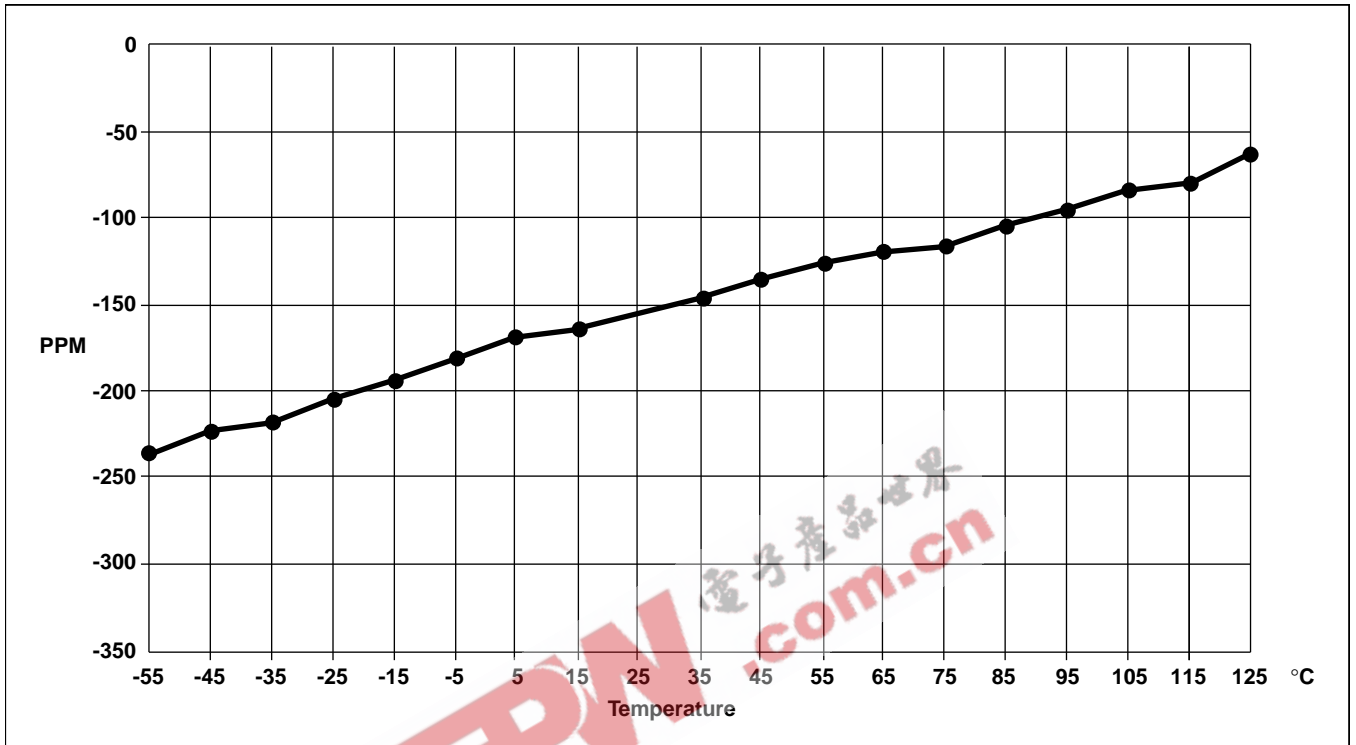


TYPICAL RTOTAL vs. TEMPERATURE

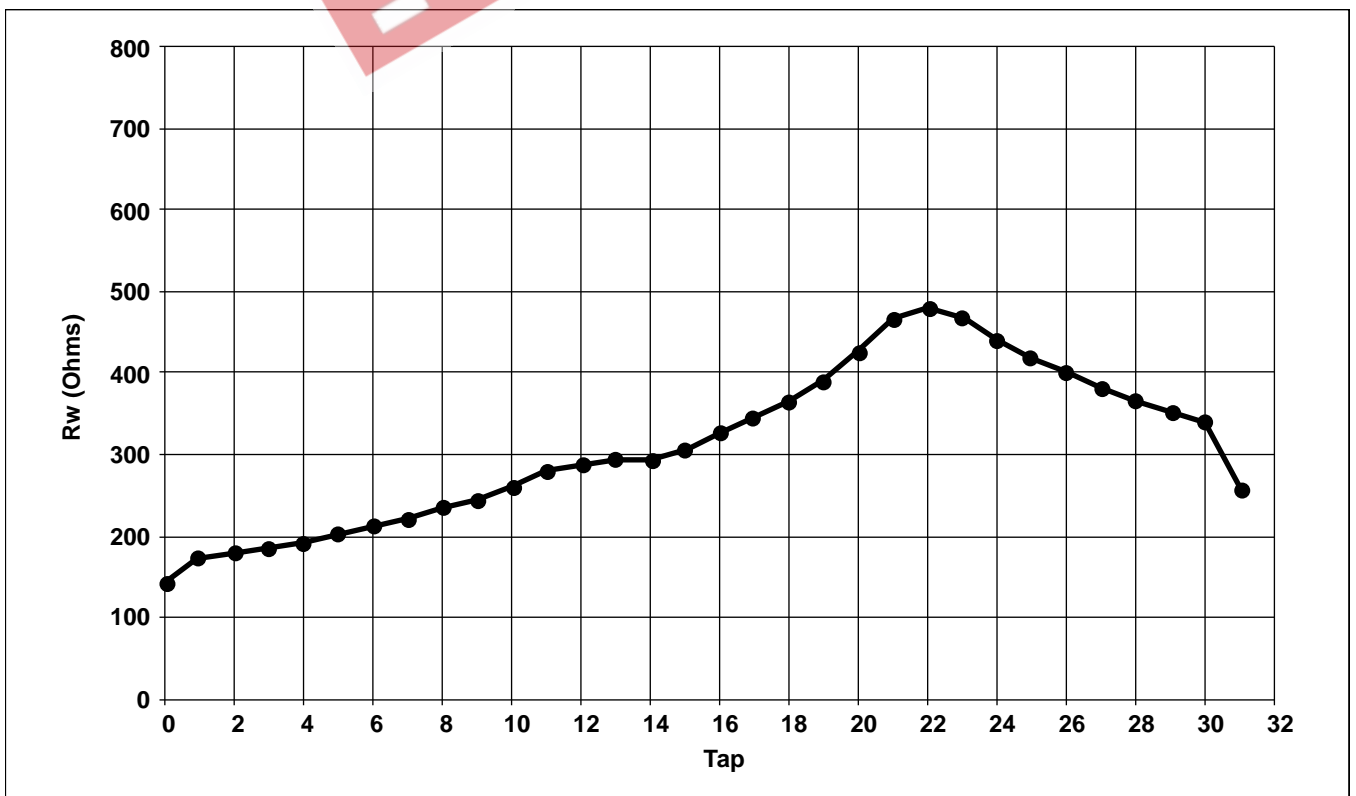


X9316

TYPICAL TOTAL RESISTANCE TEMPERATURE COEFFICIENT

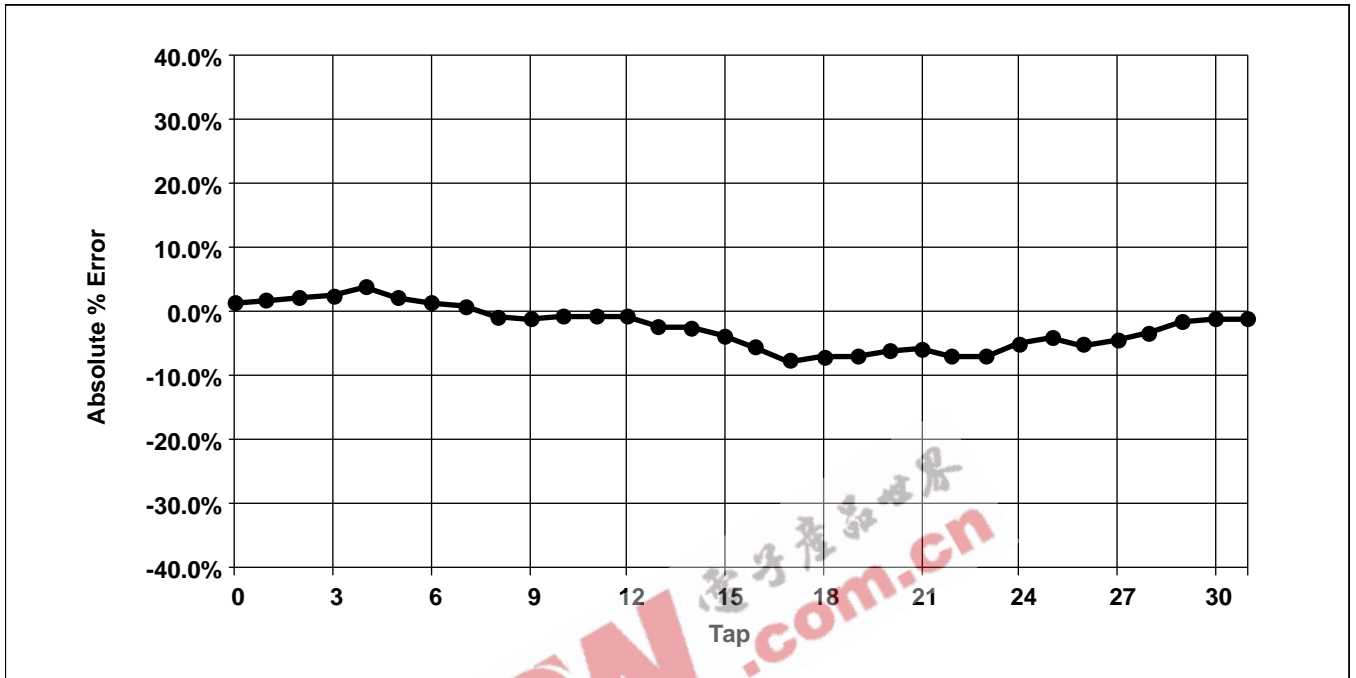


TYPICAL WIPER RESISTANCE

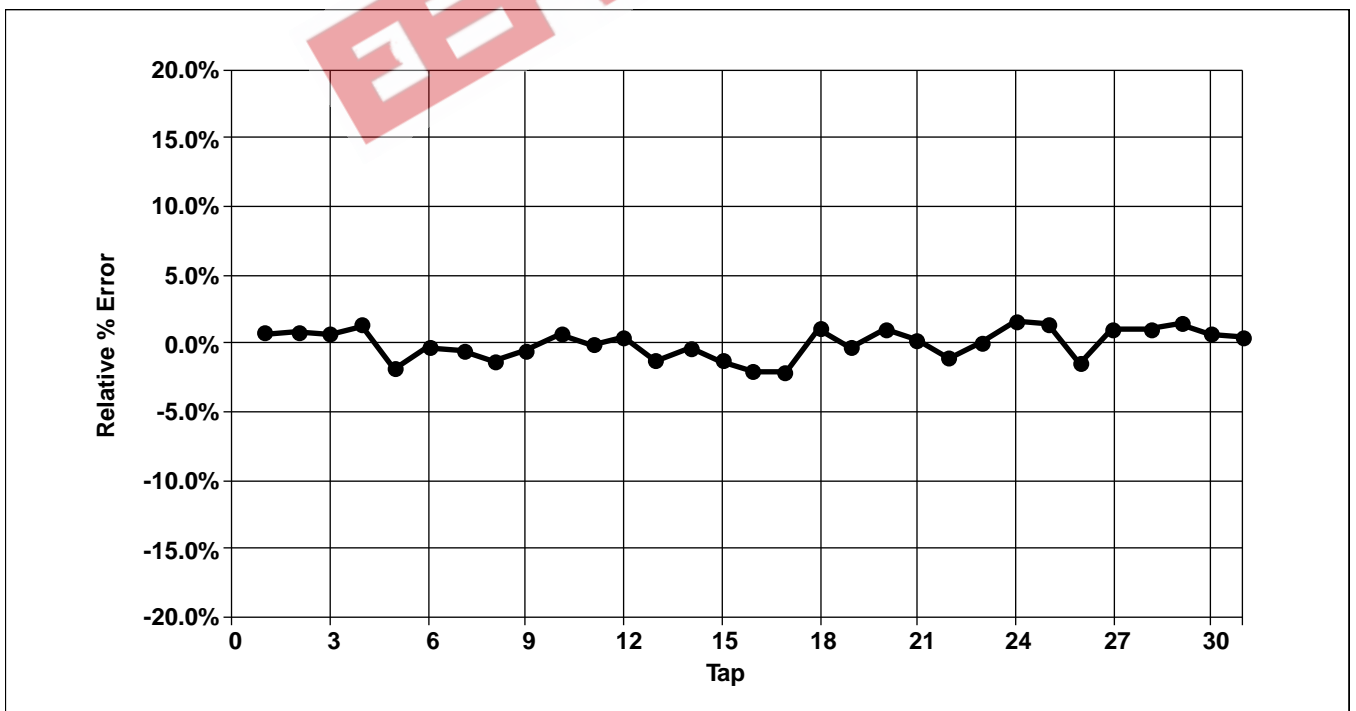


X9316

TYPICAL ABSOLUTE % ERROR PER TAP POSITION



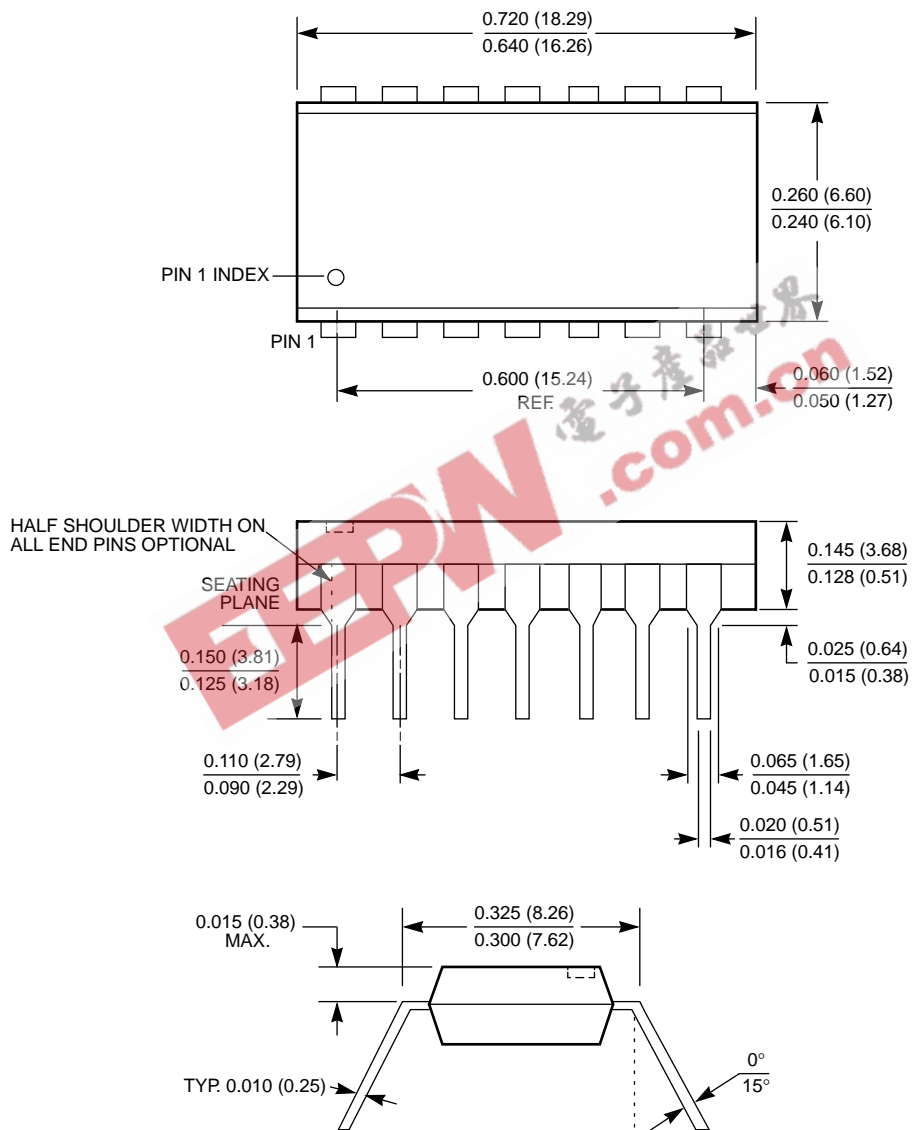
TYPICAL RELATIVE % ERROR PER TAP POSITION



X9316

PACKAGING INFORMATION

14-LEAD PLASTIC DUAL IN-LINE PACKAGE TYPE P



NOTE:

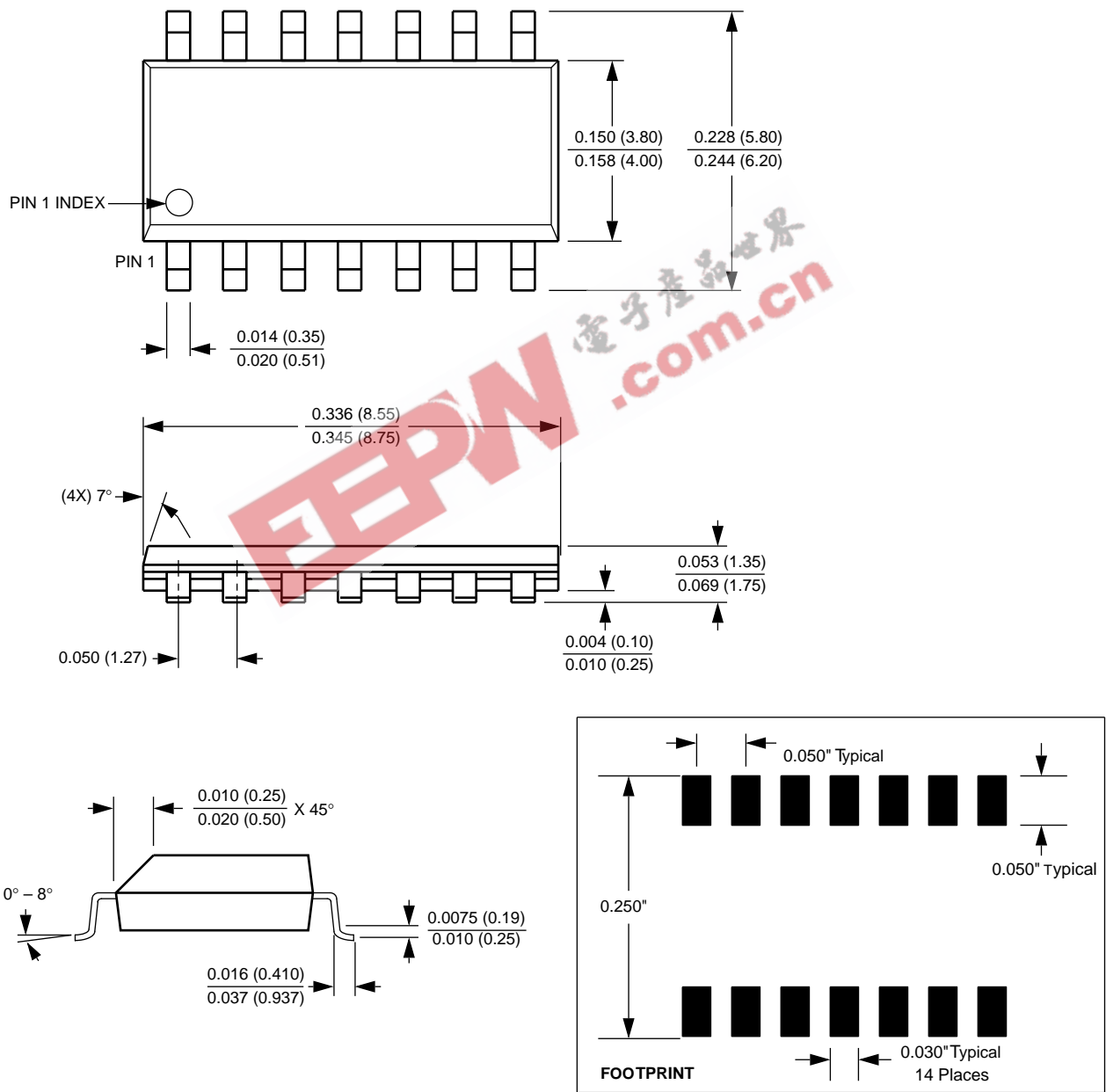
1. ALL DIMENSIONS IN INCHES (IN PARENTHESES IN MILLIMETERS)
2. PACKAGE DIMENSIONS EXCLUDE MOLDING FLASH

3926 FHD F46

X9316

PACKAGING INFORMATION

14-LEAD PLASTIC SMALL OUTLINE GULL WING PACKAGE TYPE S

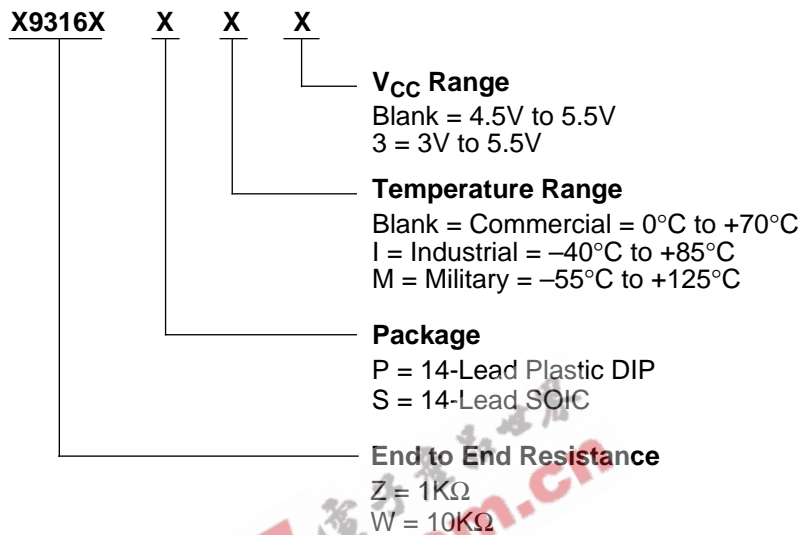


NOTE: ALL DIMENSIONS IN INCHES (IN PARENTHESES IN MILLIMETERS)

7000 FRM 05

X9316

ORDERING INFORMATION



LIMITED WARRANTY

Devices sold by Xicor, Inc. are covered by the warranty and patent indemnification provisions appearing in its Terms of Sale only. Xicor, Inc. makes no warranty, express, statutory, implied, or by description regarding the information set forth herein or regarding the freedom of the described devices from patent infringement. Xicor, Inc. makes no warranty of merchantability or fitness for any purpose. Xicor, Inc. reserves the right to discontinue production and change specifications and prices at any time and without notice.

Xicor, Inc. assumes no responsibility for the use of any circuitry other than circuitry embodied in a Xicor, Inc. product. No other circuits, patents, licenses are implied.

U.S. PATENTS

Xicor products are covered by one or more of the following U.S. Patents: 4,263,664; 4,274,012; 4,300,212; 4,314,265; 4,326,134; 4,393,481; 4,404,475; 4,450,402; 4,486,769; 4,488,060; 4,520,461; 4,533,846; 4,599,706; 4,617,652; 4,668,932; 4,752,912; 4,829, 482; 4,874, 967; 4,883, 976. Foreign patents and additional patents pending.

LIFE RELATED POLICY

In situations where semiconductor component failure may endanger life, system designers using this product should design the system with appropriate error detection and correction, redundancy and back-up features to prevent such an occurrence.

Xicor's products are not authorized for use in critical components in life support devices or systems.

1. Life support devices or systems are devices or systems which, (a) are intended for surgical implant into the body, or (b) support or sustain life, and whose failure to perform, when properly used in accordance with instructions for use provided in the labeling, can be reasonably expected to result in a significant injury to the user.
2. A critical component is any component of a life support device or system whose failure to perform can be reasonably expected to cause the failure of the life support device or system, or to affect its safety or effectiveness.