

2.50mm (0.098") PITCH CONNECTOR

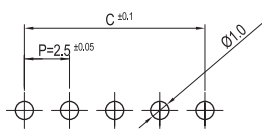
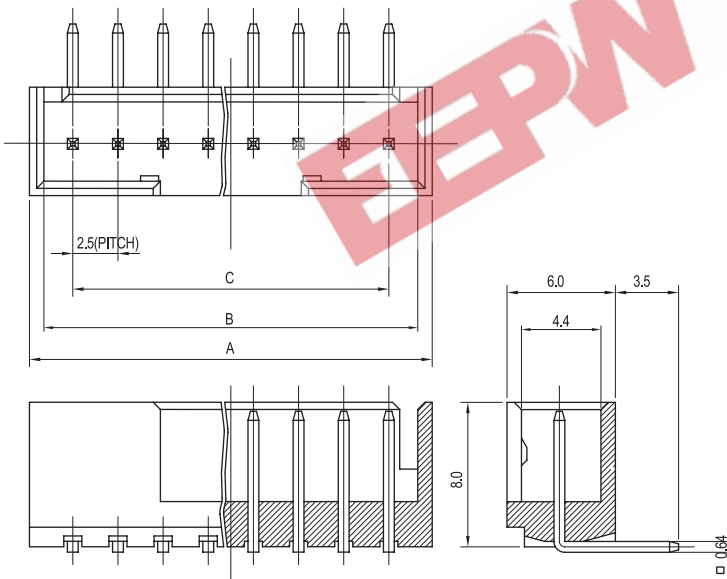
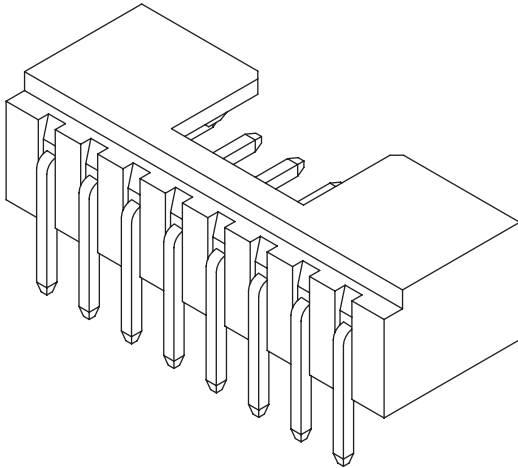


Wire-to-Board
Wafer

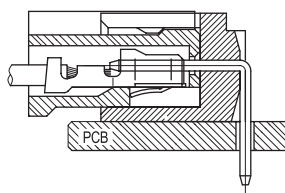
YAW025 Series

DIP

Right Angle



PCB LAYOUT



PCB ASSY

Material

I/NO	DESCRIPTION	TITLE	MATERIAL
1	WAFER	YAW025	PA66, UL94 V Grade
2	PIN		Brass & Tin-Plated

Available Pin

PARTS NO.	DIM. A	DIM. B	DIM. C
YAW025-02	7.3	5.7	2.5
YAW025-03	9.8	8.2	5.0
YAW025-04	12.3	10.7	7.5
YAW025-05	14.8	13.2	10.0
YAW025-06	17.3	15.7	12.5
YAW025-07	19.8	18.2	15.0
YAW025-08	22.3	20.7	17.5
YAW025-09	24.8	23.2	20.0
YAW025-10	27.3	25.7	22.5
YAW025-11	29.8	28.2	25.0
YAW025-12	32.3	30.7	27.5
YAW025-13	34.8	33.2	30.0
YAW025-14	37.3	35.7	32.5
YAW025-15	39.8	38.2	35.0

Specification

ITEM	SPEC
Voltage Rating	AC/DC 250V
Current Rating	AC/DC 3A
Operating Temperature	-25°C~+85°C
Contact Resistance	30mΩ MAX
Withstanding Voltage	AC1000V/1min
Insulation Resistance	1000MΩ MIN
Applicable Wire	-
Applicable P.C.B	1.2~1.6mm
Applicable FPC/FFC	-
Solder Height	-
Crimp Tensile Strength	-
UL FILE NO	E108706