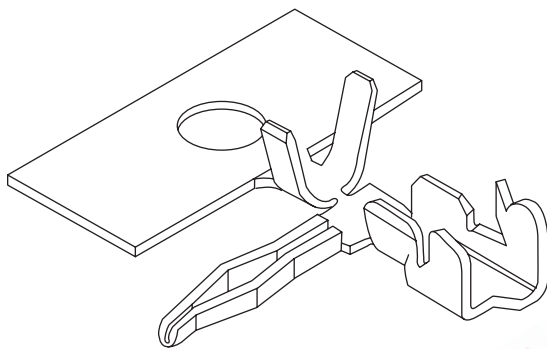


# 2.00mm (0.079") PITCH CONNECTOR



**Board-In Connector  
Crimp Terminal**

**YBAT200**



## Material

I/NO	DESCRIPTION	TITLE	AWG	MATERIAL	FINISH
1	TERMINAL	YBAT200	#26~#30	Brass	Tin-Plated

## Specification

ITEM	SPEC
Voltage Rating	AC/DC 250V
Current Rating	AC/DC 2A
Operating Temperature	-25°C~+85°C
Contact Resistance	-
Withstanding Voltage	AC1000V/1min
Insulation Resistance	1000MΩ MIN
Applicable Wire	AWG #26~#30
Applicable P.C.B	1.2~1.6mm
Applicable FPC/FFC	-
Solder Height	-
Crimp Tensile Strength	AWG #26 : 1.5kgf AWG #28 : 1.0kgf AWG #30 : 0.8kgf
UL FILE NO	-

