

SXC SERIES
**105°C, Overvoltage Vent Operation Facility,
Snap-in Terminal Type**
◆FEATURES

- Load Life : 105°C 2000 hours.
- RoHS compliance.

- This series has specification of vent operation in overvoltage situation. Please consult us for any further details.


◆SPECIFICATIONS

Items	Characteristics								
Category Temperature Range	−25~+105℃								
Rated Voltage Range	200V.DC, 400V.DC								
Capacitance Tolerance	±20% (20℃, 120Hz)								
Leakage Current(MAX)	I=3√CV (After 5 minutes application of rated voltage) I=Leakage Current(μ A) V=Rated Voltage(V) C=Rated Capacitance(μ F)								
Dissipation Factor(MAX) (tan δ)	0.15 (20℃, 120Hz)								
Impedance Ratio(MAX)	<table><tr><td>Rated Voltage (V)</td><td>200</td><td>400</td></tr><tr><td>Z(−25℃)/Z(20℃)</td><td>3</td><td>8</td></tr></table> (120Hz)			Rated Voltage (V)	200	400	Z(−25℃)/Z(20℃)	3	8
Rated Voltage (V)	200	400							
Z(−25℃)/Z(20℃)	3	8							
Endurance	After applying rated voltage with rated ripple current for 2000hrs at 105℃, the capacitors shall meet the following requirements. <table><tr><td>Capacitance Change</td><td>Within ±20% of the initial value.</td></tr><tr><td>Dissipation Factor</td><td>Not more than 200% of the specified value.</td></tr><tr><td>Leakage Current</td><td>Not more than the specified value.</td></tr></table>			Capacitance Change	Within ±20% of the initial value.	Dissipation Factor	Not more than 200% of the specified value.	Leakage Current	Not more than the specified value.
Capacitance Change	Within ±20% of the initial value.								
Dissipation Factor	Not more than 200% of the specified value.								
Leakage Current	Not more than the specified value.								

◆MULTIPLIER FOR RIPPLE CURRENT

Frequency coefficient

Frequency (Hz)	60(50)	120	500	1k	10k≤
Coefficient					
200WV	0.80	1.00	1.10	1.14	1.18
400WV	0.80	1.00	1.05	1.10	1.15

◆PART NUMBER

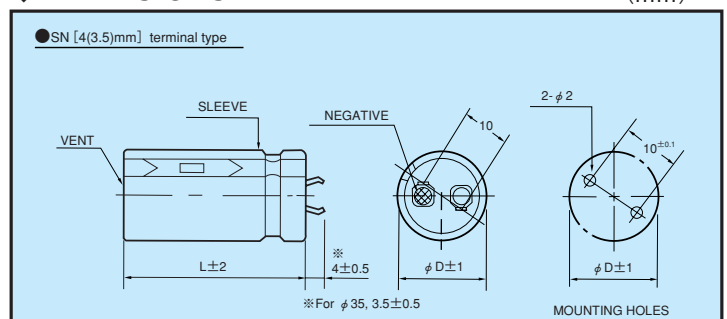
<u> </u> <u> </u> <u> </u>	SXC	<u> </u> <u> </u> <u> </u> <u> </u> <u> </u>	<u> </u>	OOE	SN	D×L
Rated Voltage	Series	Rated Capacitance	Capacitance Tolerance	Option	Terminal Code	Case Size

◆Option

	Code
without plate	OOE
with plate	Blank

◆DIMENSIONS

(mm)



◆STANDARD SIZE, RATED RIPPLE CURRENT

Cap(μF) WV φD	200									
	φ 20		φ 22		φ 25		φ 30		φ 35	
82	20×20	0.42								
100	20×20	0.47	22×20	0.51						
120	20×20	0.52	22×20	0.56						
150	20×25	0.69	22×25	0.69	25×20	0.63				
180	20×25	0.75	22×25	0.75	25×20	0.70				
220	20×30	0.87	22×25	0.88	25×25	0.88	30×20	0.85		
270	20×35	1.00	22×25	0.99	25×25	0.99	30×20	0.95		
330	20×40	1.20	22×30	1.20	25×25	1.20	30×20 30×25	1.05 1.20	35×20	1.08
390			22×35	1.30	25×30	1.34	30×25	1.30	35×20	1.15
470			22×40	1.44	25×30	1.44	30×25	1.48	35×25	1.48
560			22×45	1.60	25×35	1.60	30×30	1.60	35×25	1.58
680					25×40	1.76	30×30	1.74	35×25	1.74
820							30×35	2.11	35×30	2.10
1000							30×45	2.40	35×30 35×35	2.30 2.30
1200									35×35 35×40	2.65 2.65
1500									35×45	3.08

Cap(μF) WV φD	400									
	φ 20		φ 22		φ 25		φ 30		φ 35	
22	20×20	0.20								
27	20×20	0.22	22×20	0.23						
33	20×20	0.25	22×20	0.25						
39	20×25	0.35	22×20	0.28	25×20	0.30				
47	20×25	0.39	22×25	0.39	25×20	0.34				
56	20×30	0.44	22×25	0.45	25×20 25×25	0.39 0.45	30×20	0.41		
68	20×35	0.51	22×25	0.49	25×25	0.49	30×20	0.45		
82	20×40	0.57	22×30	0.56	25×25	0.56	30×20 30×25	0.50 0.56	35×20	0.51
100			22×35	0.62	25×30	0.61	30×25	0.59	35×20	0.54
120			22×40	0.73	25×30	0.73	30×25	0.73	35×20	0.61
150			22×45	0.85	25×35	0.85	30×30	0.79	35×25	0.78
180					25×40	0.94	30×30	0.95	35×25	0.95
220					25×45	1.07	30×35	1.24	35×30	1.24
270							30×35 30×40	1.35 1.30	35×35	1.28
330							30×45	1.47	35×35	1.41
390									35×40	1.59
470									35×45	1.87

↑ Ripple Current (A r.m.s./120Hz, 105°C)
Case Size φ D×L(mm)