



# Frontier Electronics Corp.

667 E. COCHRAN STREET, SIMI VALLEY, CA 93065

TEL: (805) 522-9998

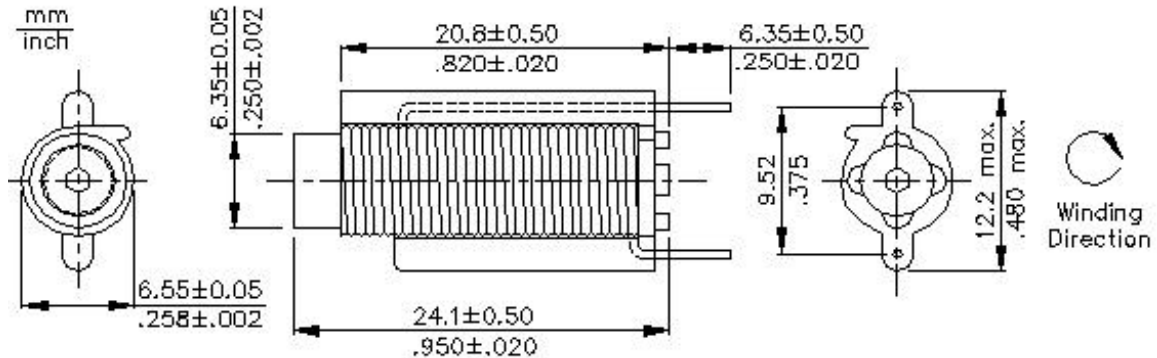
FAX: (805) 522-9989

E-mail: frontiersales@frontierusa.com

Web: frontierusa.com

## Insert Molded Coil—2101 series

### A. Mechanical Drawing:



### B. Electrical Specification:

| Part No. | Turns | L min. | L nom. | L max. | Q min @ L nom. | Color  |
|----------|-------|--------|--------|--------|----------------|--------|
| 2101-01  | 1.5   | 0.045  | 0.046  | 0.048  | 110            | Brown  |
| 2101-02  | 2.5   | 0.073  | 0.081  | 0.090  | 136            | Red    |
| 2101-03  | 3.5   | 0.106  | 0.124  | 0.144  | 145            | Orange |
| 2101-04  | 4.5   | 0.139  | 0.168  | 0.204  | 120            | Yellow |
| 2101-05  | 5.5   | 0.180  | 0.224  | 0.278  | 125            | Green  |
| 2101-06  | 6.5   | 0.221  | 0.282  | 0.361  | 126            | Blue   |
| 2101-07  | 7.5   | 0.263  | 0.339  | 0.437  | 126            | Violet |
| 2101-08  | 8.5   | 0.311  | 0.406  | 0.531  | 130            | Gray   |
| 2101-09  | 9.5   | 0.355  | 0.468  | 0.617  | 130            | White  |
| 2101-10  | 10.5  | 0.410  | 0.538  | 0.707  | 135            | Black  |
| 2101-11  | 11.5  | 0.452  | 0.590  | 0.769  | 140            | Brown  |
| 2101-12  | 12.5  | 0.495  | 0.651  | 0.855  | 140            | Red    |
| 2101-13  | 13.5  | 0.547  | 0.717  | 0.940  | 145            | Orange |
| 2101-14  | 14.5  | 0.589  | 0.770  | 1.007  | 146            | Yellow |
| 2101-15  | 15.5  | 0.651  | 0.831  | 1.061  | 150            | Green  |
| 2101-16  | 16.5  | 0.683  | 0.866  | 1.099  | 150            | Blue   |
| 2101-17  | 17.5  | 0.735  | 0.923  | 1.159  | 150            | Violet |
| 2101-18  | 18.5  | 0.788  | 0.992  | 1.249  | 150            | Gray   |
| 2101-19  | 19.5  | 0.819  | 1.021  | 1.272  | 95             | White  |
| 2101-20  | 20.5  | 0.887  | 1.101  | 1.367  | 95             | Black  |
| 2101-21  | 21.5  | 0.945  | 1.106  | 1.425  | 98             | Brown  |
| 2101-22  | 22.5  | 0.996  | 1.207  | 1.463  | 98             | Red    |
| 2101-23  | 23.5  | 1.050  | 1.271  | 1.539  | 100            | Orange |

### C. Features:

1. Plastic molded.
2. High reliability.
3. Low cost.

### D. Measurement:

1. Q and L measured with leads connected directly.
2. L min. measured with core halfway out of the top of the form.
3. Inductance greater than 0.1uH read at recommended Q meter frequency.
4. Inductance below 0.1uH calculated from readings taken at 50MHz.

### E. Test equipment: Q meter (HP 4342A)