



Frontier Electronics Corp.

667 E. COCHRAN STREET, SIMI VALLEY, CA 93065

TEL: (805) 522-9998

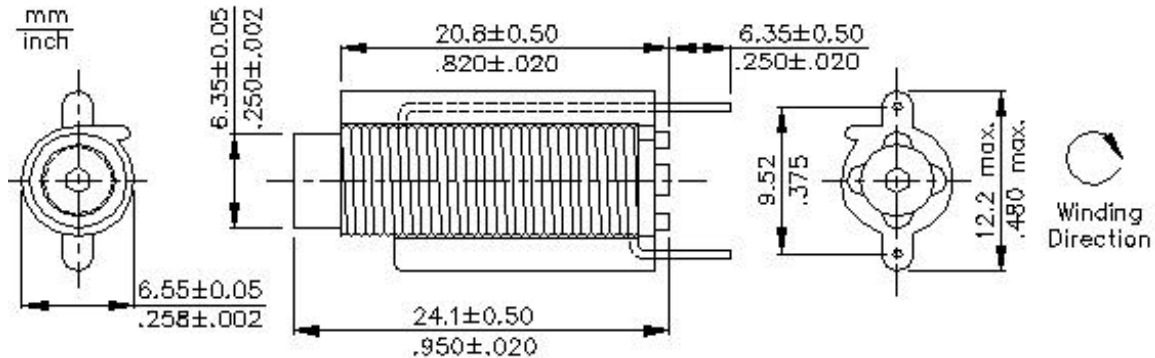
FAX: (805) 522-9989

E-mail: frontiersales@frontierusa.com

Web: frontierusa.com

Insert Molded Coil—2101 series

A. Mechanical Drawing:



B. Electrical Specification:

Part No.	Turns	L min.	L nom.	L max.	Q min @ L nom.	Color
2101-01	1.5	0.045	0.046	0.048	110	Brown
2101-02	2.5	0.073	0.081	0.090	136	Red
2101-03	3.5	0.106	0.124	0.144	145	Orange
2101-04	4.5	0.139	0.168	0.204	120	Yellow
2101-05	5.5	0.180	0.224	0.278	125	Green
2101-06	6.5	0.221	0.282	0.361	126	Blue
2101-07	7.5	0.263	0.339	0.437	126	Violet
2101-08	8.5	0.311	0.406	0.531	130	Gray
2101-09	9.5	0.355	0.468	0.617	130	White
2101-10	10.5	0.410	0.538	0.707	135	Black
2101-11	11.5	0.452	0.590	0.769	140	Brown
2101-12	12.5	0.495	0.651	0.855	140	Red
2101-13	13.5	0.547	0.717	0.940	145	Orange
2101-14	14.5	0.589	0.770	1.007	146	Yellow
2101-15	15.5	0.651	0.831	1.061	150	Green
2101-16	16.5	0.683	0.866	1.099	150	Blue
2101-17	17.5	0.735	0.923	1.159	150	Violet
2101-18	18.5	0.788	0.992	1.249	150	Gray
2101-19	19.5	0.819	1.021	1.272	95	White
2101-20	20.5	0.887	1.101	1.367	95	Black
2101-21	21.5	0.945	1.106	1.425	98	Brown
2101-22	22.5	0.996	1.207	1.463	98	Red
2101-23	23.5	1.050	1.271	1.539	100	Orange

C. Features:

1. Plastic molded.
2. High reliability.
3. Low cost.

D. Measurement:

1. Q and L measured with leads connected directly.
2. L min. measured with core halfway out of the top of the form.
3. Inductance greater than 0.1uH read at recommended Q meter frequency.
4. Inductance below 0.1uH calculated from readings taken at 50MHz.

E. Test equipment: Q meter (HP 4342A)