

# 2133 & 4133 Series

## Front-End Filters: 10.0MHz to 220 MHz

- Fixed bandwidth ( $\pm 6.75$  kHz) 2-pole and 4-pole crystal filters
- Applications where filtering incoming radio signals is required to reduce or eliminate interference

**Ordering Information**

2133/4133    VBB    00.000  
MHz

**Product Series** \_\_\_\_\_

**Designator** \_\_\_\_\_

Blank=F (Through Hole)  
See chart for correct designator or  
contact the factory for additional connector types

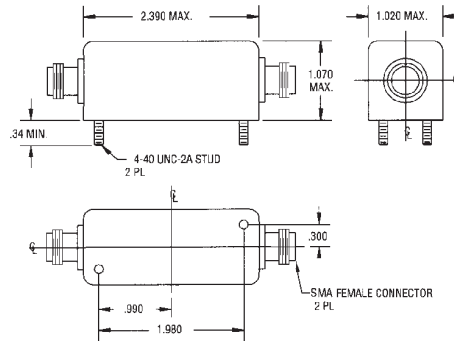
**Frequency** \_\_\_\_\_

(Customer Specified)  
See Frequency Range Chart

The ordering convention for a connectorized 2133/4133 Series filters with SMA-Female connectors on both the input and output would be 4133VBM @ 100.00MHz. For other, most popular connector types, reference the table and for others not listed consult the factory.

Designator	Connector Set (Input & Output)	Designator	Connector Set (Input & Output)
VBB	BNC-Female & BNC-Female	VBP	RCA- Female & RCA- Female
VBC	UHF- Female & UHF- Female	VBR	N- Female & N-Male
VBI	OSM-212 & OSM-212	VBU	F- Female & F- Female
VBL	TNC- Female & TNC- Female	VBV	SMC- Female & SMC- Female
VBM	SMA- Female & SMA- Female	VBW	UHF- Female & S)-239
VBN	N- Female & N- Female	VBX	N-Male & N-Male
VBO	BNC-Male & BNC- Female	VBZ	PL-259 and SO-239

**2133/4133**  
**2-pole or**  
**4-pole**  
**tandem set**  
**F case**  
**package**



**2133/4133**  
**50  $\Omega$  terminated**  
**connectorized**  
**package**

Family Designation	Frequency Range (MHz)	Stopband	Insertion Loss (dB)	Amplitude Ripple (dB)	Ultimate Attenuation (dB)	Operating Temperature
2133	10.0 to 35.99	$\pm 40.0$ kHz @ 20dB	3	1.0	30	-20°C to +70°C
	36.0 to 89.99	$\pm 40.0$ kHz @ 20dB	4		30	
	90.0 to 137.99	$\pm 60.0$ kHz @ 20dB	4		30	
	138.0 to 220.0	$\pm 60.0$ kHz @ 20dB	5		30	
4133	10.0 to 35.99	$\pm 26.0$ kHz @ 20dB	3		60	
		$\pm 50.0$ kHz @ 40dB	4		60	
	36.0 to 89.99	$\pm 26.0$ kHz @ 20dB	4		50	
		$\pm 50.0$ kHz @ 40dB	5		60	
	90.0 to 137.99	$\pm 30.0$ kHz @ 20dB	5		60	
		$\pm 50.0$ kHz @ 40dB	6		60	
	138.0 to 220.0	$\pm 30.0$ kHz @ 20dB	6		60	
		$\pm 50.0$ kHz @ 40dB	7		60	

MtronPTI reserves the right to make changes to the product(s) and service(s) described herein without notice. No liability is assumed as a result of their use or application.

Please see [www.mtronpti.com](http://www.mtronpti.com) for our complete offering and detailed datasheets. Contact us for your application specific requirements: MtronPTI 1-800-762-8800.