

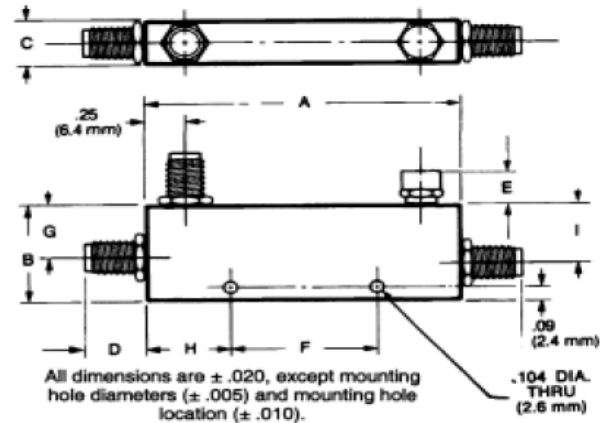
### Features

- Frequency Range: 0.5 - 18 GHz
- Standard Coupling Values: 10 and 20 dB
- Temperature Range: -54°C to +125°C
- Connectors: SMA per MIL-C-39012
- Isolated Port with Non-Removable 50 Ohm Termination

### Description

These compact broad band couplers operate over frequency bandwidths of 12 to 1 up to 36 to 1. Each coupler is constructed in a rugged aluminum housing with Stripline circuitry. The input, output and coupled output ports are stainless steel SMA connectors. The isolated port is terminated with a non-removable precision 50 ohm termination. Custom variations of these designs to specific requirements can also be produced.

### Outline Drawing



### Specifications

| Part Number  | Case Style | Freq. Range (GHz) | Coupling (Include. Freq. Sens.(dB) | Freq. Sens. (dB) | Insertion Loss Max (dB) | Direct. Min. (dB) | VSWR Max Prim Line | Power (Input) Avg. In. (w) | Power (Input) Avg. Ref(W) | Power (Input) Pk. (kW) |
|--------------|------------|-------------------|------------------------------------|------------------|-------------------------|-------------------|--------------------|----------------------------|---------------------------|------------------------|
| 2026-6001-10 | 1          | 1.0 - 12.4        | 10 ± 1.0                           | ±0.4             | 0.35 + 0.04fGHz         | 18 <sup>1</sup>   | 1.30               | 50                         | 10                        | 3                      |
| 2026-6003-20 | 1          | 1.0 - 12.4        | 20 ± 1.0                           | ±0.6             | 0.35 + 0.04fGHz         | 17                | 1.30               | 50                         | 50                        | 3                      |
| 2026-6004-10 | 2          | 2.0 - 18.0        | 10 ± 1.0                           | ±0.5             | 0.30 + 0.03fGHz         | 15 <sup>2</sup>   | 1.35               | 50                         | 10                        | 3                      |
| 2026-6006-20 | 2          | 2.0 - 18.0        | 20 ± 1.0                           | ±0.5             | 0.30 + 0.03fGHz         | 18 <sup>3</sup>   | 1.35               | 50                         | 50                        | 3                      |
| 2026-6007-10 | 1          | 1.0 - 18.0        | 10 ± 1.0 <sup>4</sup>              | ±0.5             | 0.30 + 0.05fGHz         | 15 <sup>2</sup>   | 1.40               | 50                         | 10                        | 3                      |
| 2026-6009-20 | 1          | 1.0 - 18.0        | 20 ± 1.0                           | ±0.6             | 0.30 + 0.05fGHz         | 17 <sup>3</sup>   | 1.40               | 50                         | 50                        | 3                      |
| 2026-6010-10 | 3          | 0.5 - 18.0        | 10 ± 1.0                           | ±1.0             | 0.90 + 0.03fGHz         | 15 <sup>2</sup>   | 1.50               | 50                         | 10                        | 3                      |
| 2026-6012-20 | 3          | 0.5 - 18.0        | 20 ± 1.0                           | ±1.0             | 0.90 + 0.03fGHz         | 15                | 1.50               | 50                         | 50                        | 3                      |

### Mechanical Specifications

1. 15 dB from 8.0 to 12.4 GHz      3. 15 dB from 12.4 to 18 GHz  
 2. 12 dB from 12.4 to 18 GHz      4. -1.5 to 1.0 from 0.5 to 2 GHz only

| Case Style | A Inch (mm) | B Inch (mm) | C Inch (mm) | D Inch (mm) | E Inch (mm) | F Inch (mm) | G Inch (mm) | H Inch (mm) | I Inch (mm) | Weight oz | Weight g |
|------------|-------------|-------------|-------------|-------------|-------------|-------------|-------------|-------------|-------------|-----------|----------|
| 1          | 3.8 (97)    | 0.69 (17.5) | 0.38 (9.7)  | 0.38 (9.7)  | 0.25 (6.4)  | 2.31 (58.7) | 0.39 (9.9)  | 0.75 (19)   | 0.44 (11.1) | 2.0       | 56       |
| 2          | 2.0 (50.8)  | 0.69 (17.5) | 0.38 (9.7)  | 0.38 (9.7)  | 0.25 (6.4)  | 0.95 (24.2) | 0.38 (9.7)  | 0.53 (13.5) | 0.42 (10.7) | 1.3       | 37       |
| 3          | 4.4 (111.8) | 0.73 (18.5) | 0.38 (9.7)  | 0.38 (9.7)  | 0.25 (6.4)  | 2.90 (73.7) | 0.48 (12.2) | 0.75 (19)   | 0.48 (12.2) | 2.5       | 71       |

**ADVANCED:** Data Sheets contain information regarding a product M/A-COM Technology Solutions is considering for development. Performance is based on target specifications, simulated results, and/or prototype measurements. Commitment to develop is not guaranteed.  
**PRELIMINARY:** Data Sheets contain information regarding a product M/A-COM Technology Solutions has under development. Performance is based on engineering tests. Specifications are typical. Mechanical outline has been fixed. Engineering samples and/or test data may be available. Commitment to produce in volume is not guaranteed.

• **North America** Tel: 800.366.2266 • **Europe** Tel: +353.21.244.6400  
 • **India** Tel: +91.80.4155721 • **China** Tel: +86.21.2407.1588  
 Visit [www.macomtech.com](http://www.macomtech.com) for additional data sheets and product information.

M/A-COM Technology Solutions Inc. and its affiliates reserve the right to make changes to the product(s) or information contained herein without notice.