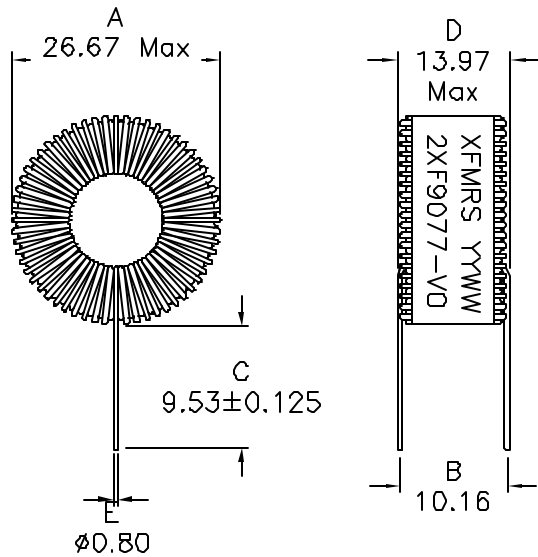
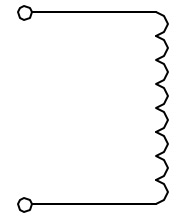


1. Mechanical Dimensions:



2. Schematic:



3. Electrical Specifications:

Inductance: 90.7uH ±20% @10KHz, 1.0V

Current Rating: 3.6ADC

DC Resistance: 0.045 Ohms Max.

Energy Storage: 648uJ

Inductance: 67uH Typ @10KHz, 1.0V, 3.6ADC

Q: tbd Min @10KHz, 1.0V

Note:

1. Solderability: Leads shall meet MIL-STD-202, Method 208D for solderability.
2. Flammability: UL94V-0,
3. ASTM oxygen index: > 28% ,
4. Temperature rating: 155°C. UL file E151556,
5. Operating Temperature Range: -40°C to +85°C
6. the tinned length is the same as the lead length.

DOC. REV. A/1

XFMRS Inc.	Title: Toroid Inductor		
	UNLESS OTHERWISE SPECIFIED TOLERANCES: .xx ±0.25 Dimensions in MM	P/N: 2XF9077-VO	REV. A
SHEET 1 OF 1	DWN.	李小锋	Apr-07-04
	CHK.	廖玉坤	Apr-07-04
	APP.	BW	Apr-07-04