

**HOW TO ORDER:**

EXAMPLE: 230 - 015 Z1 - 10 - 6 P X

BASIC SERIES \_\_\_\_\_

FINISH \_\_\_\_\_

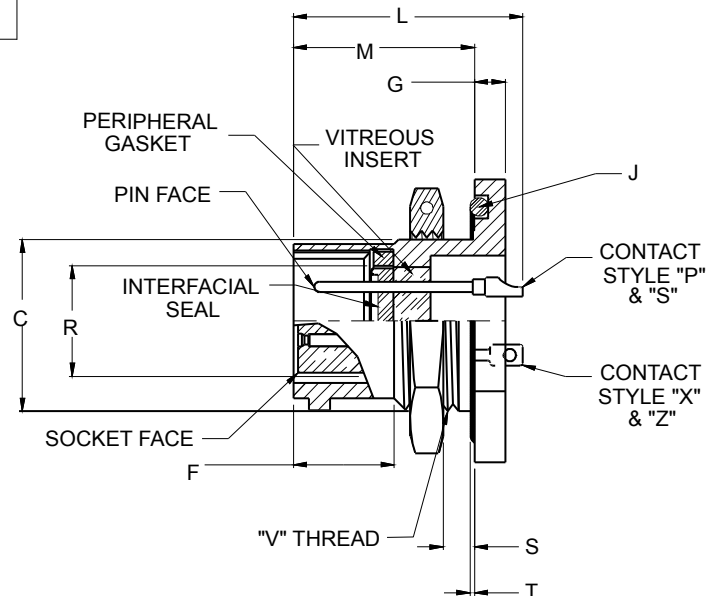
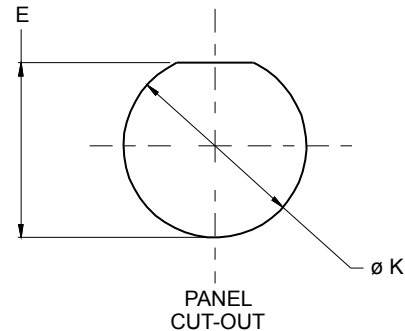
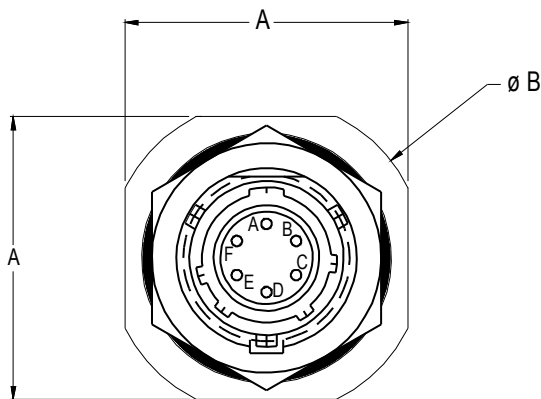
SHELL SIZE \_\_\_\_\_

CONTACT ARRANGEMENT PER MIL-STD-1669  $\triangle 5$  \_\_\_\_\_

CONTACT STYLE \_\_\_\_\_

"P" = SOLDER CUP, PIN FACE  
 "S" = SOLDER CUP, SOCKET FACE  
 "X" = EYELET, PIN FACE  
 "Z" = EYELET, SOCKET FACE

ALTERNATE INSERT POSITION (LEAVE BLANK FOR NORMAL)  $\triangle 5$  \_\_\_\_\_


**NOTES:**
**1. MATERIAL/FINISH:**

Z1: SHELL & JAM-NUT - 304L CRES / PASSIVATED  
 CONTACTS - 52 NICKEL ALLOY / GOLD PLATED  
 FT: SHELL & JAM-NUT - C1215 CRS / TIN PLATED  
 CONTACTS - 52 NICKEL ALLOY / TIN PLATED  
 BAYONETS: STAINLESS STEEL / PASSIVATED  
 SEALS: SILICONE ELASTOMER  
 INSULATION: GLASS, NOIBN

**2. ASSEMBLY TO BE IDENTIFIED WITH GLENAIR'S NAME, PART NUMBER AND DATE CODE SPACE PERMITTING.**

**3. PERFORMANCE:**

HERMETICITY:  $<1 \times 10^{-7}$  SCCHE/SEC @ 1 ATMOSPHERE DIFFERENTIAL  
 DIELECTRIC WITHSTANDING VOLTAGE: CONSULT FACTORY OR MIL-STD-1669  
 INSULATION RESISTANCE: 5000 MEGOHMS MIN @ 500VDC

**4. GLENAIR 230-015 WILL MATE WITH ANY QPL MIL-C-26482 SERIES 1 BAYONET COUPLING PLUG OF SAME SIZE AND INSERT POLARIZATION.**

$\triangle 5$  CONSULT FACTORY AND / OR MIL-STD-1669 FOR ARRANGEMENT AND INSERT POSITION OPTIONS.

**230-015**  
**Hermetic Receptacle, Jam Nut Mount**  
**MIL-C-26482 Series I, MS3114 Type**



MIL-C-24682

**TABLE I: CONNECTOR DIMENSIONS**

SHELL SIZE	A MAX. LENGTH	B $\varnothing$ +.000 -.032 (+.0 - 0.8) ACROSS FLANGE CORNER	C +.000 -.010 (+.0 - 0.3) MTG. FLAT	E +.010 -.005 (+.03 - 0.1) PANEL FLAT LOCATION	F MINIMUM MOUNTING THREAD LOCATION	G $\pm 0.20$ ( $\pm 0.5$ ) MOUNTING FLANGE THICKNESS	J O-RING SEAL MS29513-
8	.954 (24.2)	1.078 (27.4)	.530 (13.5)	.540 (13.7)	.384 (9.8)	.117 (3.0)	17
10	1.078 (27.4)	1.203 (30.6)	.655 (16.6)	.665 (16.9)			19
12	1.266 (32.2)	1.391 (35.3)	.818 (20.8)	.828 (21.0)			22
14	1.391 (35.3)	1.516 (38.5)	.942 (23.9)	.952 (24.2)			24
16	1.516 (38.5)	1.641 (41.7)	1.062 (27.0)	1.076 (27.3)			26
18	1.641 (41.7)	1.766 (44.9)	1.191 (30.3)	1.201 (30.5)			28
20	1.828 (46.4)	1.954 (49.6)	1.316 (33.4)	1.326 (33.7)			.446 (11.3)
22	1.954 (49.6)	2.078 (52.8)	1.441 (36.6)	1.451 (36.9)	.148 (3.8)	130	
24	2.078 (52.8)	2.203 (56.0)	1.566 (39.8)	1.576 (40.0)		132	

**TABLE I (CONTINUED): CONNECTOR DIMENSIONS**

SHELL SIZE	K +.010 -.005 (+.03 - 0.1) PANEL MOUNTING HOLE	L MAX OVERALL LENGTH	M +.031-.000 (+.08 - 0) MOUNTING FLANGE LOCATION	R MAX I.D. GASKET	S PANEL THICKNESS		T $\pm 0.11$ ( $\pm 0.3$ ) O-RING PROJECTION	V UNEf-2A MOUNTING THREAD
	MIN		MAX					
8	.572 (14.5)	.875 (22.2)	.691 (17.6)	.329 (8.4)	.062 (1.6)	.125 (3.2)	.023 (0.6)	.5625-24
10	.697 (17.7)			.477 (12.1)				.6875-24
12	.885 (22.5)			.564 (14.3)				.875-20
14	1.010 (25.7)			.689 (17.5)				1.000-20
16	1.135 (28.8)			.814 (20.7)				1.125-18
18	1.260 (32.0)			.907 (23.0)				1.250-18
20	1.385 (35.2)			1.094 (27.8)				.879 (22.3)
22	1.510 (38.4)	1.164 (29.6)	1.500-18					
24	1.635 (41.5)	1.289 (32.7)	1.625-18					