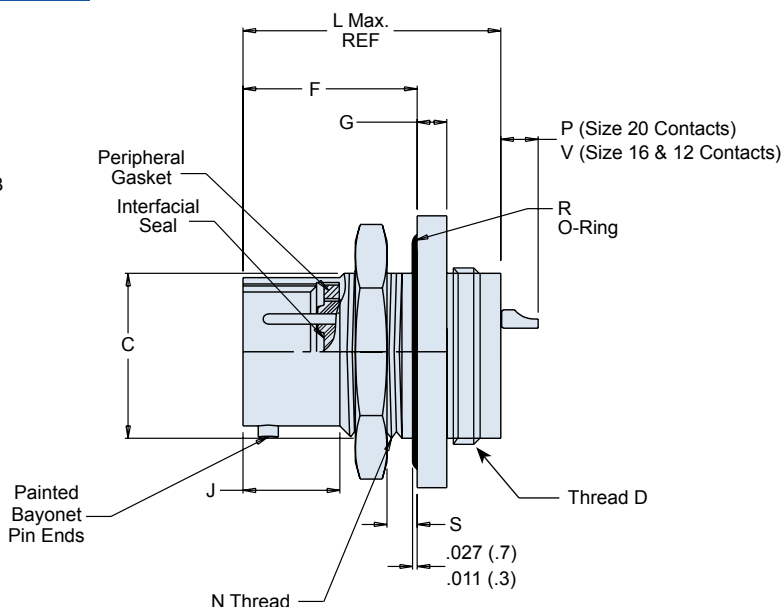
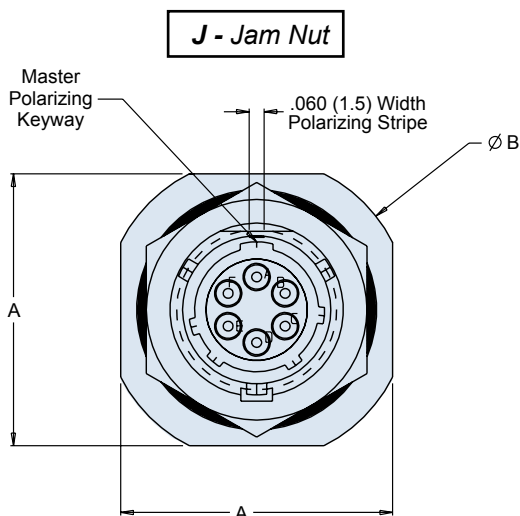
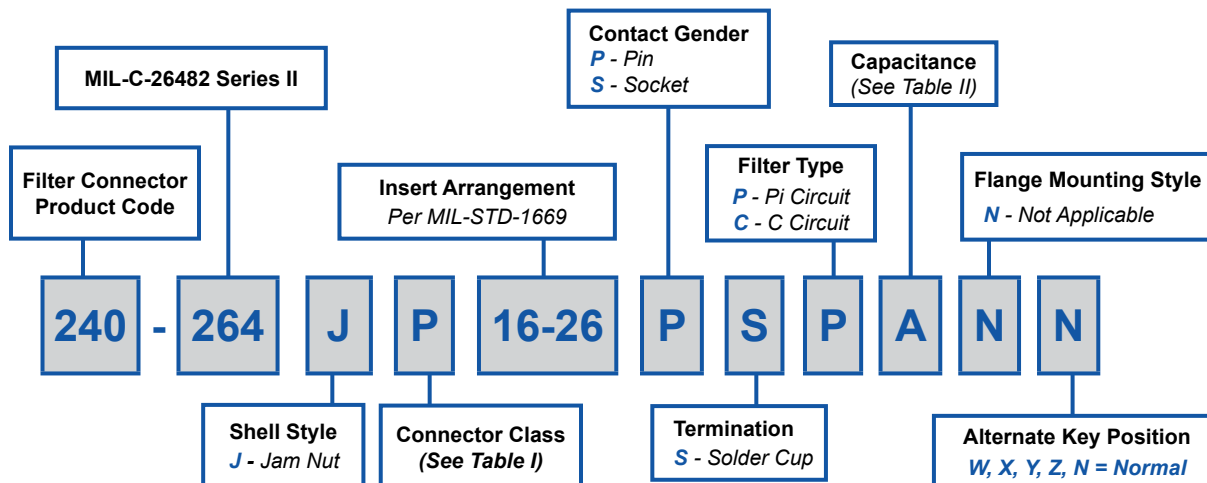




# 240-264J MIL-DTL-26482 Series II Type Filter Connector Jam Nut Receptacle

B



**TABLE II: CAPACITOR ARRAY CODE CAPACITANCE RANGE**

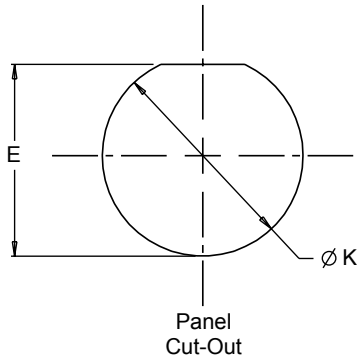
| CLASS | PI - CIRCUIT (pF) | C - CIRCUIT (pF) |
|-------|-------------------|------------------|
| X*    | 160,000 - 240,000 | 80,000 - 120,000 |
| Y*    | 80,000 - 120,000  | 40,000 - 60,000  |
| Z*    | 60,000 - 90,000   | 30,000 - 45,000  |
| A     | 38,000 - 56,000   | 19,000 - 28,000  |
| B     | 32,000 - 45,000   | 16,000 - 22,500  |
| C     | 18,000 - 33,000   | 9,000 - 16,500   |
| D     | 8,000 - 12,000    | 4,000 - 6,000    |
| E     | 3,300 - 5,000     | 1,650 - 2,500    |
| F     | 800 - 1,300       | 400 - 650        |
| G     | 400 - 600         | 200 - 300        |

\* Reduced DWV - Please consult factory.

**TABLE I: CONNECTOR CLASS**

| SYM | CLASS         | MATERIAL        | FINISH DESCRIPTION                                  |
|-----|---------------|-----------------|---|
| M   | Environmental | Aluminum        | Electroless Nickel                                  |
| MT  | Environmental | Aluminum        | Ni-PTFE 1000 Hour Grey™ Nickel Fluorocarbon Polymer |
| NF  | Environmental | Aluminum        | Cadmium O.D. Over Electroless Nickel                |
| P   | Environmental | Stainless Steel | Electro-Deposited Nickel                            |
| ZN  | Environmental | Aluminum        | Zinc-Nickel Over Electroless Nickel                 |
| H2  | Hermetic      | Stainless Steel | Electroless Nickel                                  |

**240-264J**  
**MIL-DTL-26482 Series II Type Filter Connector**  
**Jam Nut Receptacle**



| TABLE III: DIMENSIONS |  |  |  |                          |                             |                                     |                                      |
|-----------------------|--|--|--|--------------------------|-----------------------------|-------------------------------------|--------------------------------------|
| SHELL SIZE            | A<br>+.000 (0)<br>-.031 (.8)<br>LENGTH | B<br>+.000 (0)<br>-.031 (.8)<br>ACROSS<br>FLANGE<br>CORNER | C<br>+.000 (0)<br>-.010 (.3)<br>MTG.<br>FLAT | D<br>THREAD<br>(CLASS 2) | E<br>PANEL FLAT<br>LOCATION | F<br>MOUNTING<br>FLANGE<br>LOCATION | G<br>MOUNTING<br>FLANGE<br>THICKNESS |
| 8                     | .954<br>(24.2)                         | 1.078<br>(27.4)  | .530<br>(13.5)                               | .500-20 UNF              | .536(13.6)                  | .707 (18.0)<br>.691 (17.6)          | .113 (2.9)<br>.097 (2.5)             |
| 10                    | 1.078<br>(27.4)                        | 1.203<br>(30.6)  | .655<br>(16.6)                               | .625-24 UNEF             | .661 (16.8)                 | .707 (18.0)<br>.691 (17.6)          | .113 (2.9)<br>.097 (2.5)             |
| 12                    | 1.266<br>(32.2)                        | 1.391<br>(35.3)  | .818<br>(20.8)                               | .750-20 UNEF             | .824 (20.9)                 | .707 (18.0)<br>.691 (17.6)          | .113 (2.9)<br>.097 (2.5)             |
| 14                    | 1.391<br>(35.3)                        | 1.516<br>(38.5)  | .942<br>(23.9)                               | .875-20 UNEF             | .948 (24.1)                 | .707 (18.0)<br>.691 (17.6)          | .113 (2.9)<br>.097 (2.5)             |
| 16                    | 1.516<br>(38.5)                        | 1.641<br>(41.7)  | 1.062<br>(27.0)                              | 1.000-20 UNEF            | 1.072 (27.2)                | .707 (18.0)<br>.691 (17.6)          | .113 (2.9)<br>.097 (2.5)             |
| 18                    | 1.641<br>(41.7)                        | 1.766<br>(44.9)  | 1.191<br>(30.3)                              | 1.0625-18 UNEF           | 1.197 (30.4)                | .707 (18.0)<br>.691 (17.6)          | .113 (2.9)<br>.097 (2.5)             |
| 20                    | 1.828<br>(46.4)                        | 1.954<br>(49.6)  | 1.316<br>(33.4)                              | 1.1875-18 UNEF           | 1.322 (33.6)                | .772 (19.6)<br>.754 (19.2)          | .148 (3.8)<br>.128 (3.3)             |
| 22                    | 1.954<br>(49.6)                        | 2.078<br>(52.8)  | 1.441<br>(36.6)                              | 1.3125-18 UNEF           | 1.447 (36.8)                | .772 (19.6)<br>.754 (19.2)          | .148 (3.8)<br>.128 (3.3)             |
| 24                    | 2.078<br>(52.8)                        | 2.203<br>(56.0)  | 1.566<br>(39.8)                              | 1.4375-18 UNEF           | 1.572 (39.9)                | .803 (20.4)<br>.785 (20.0)          | .148 (3.8)<br>.128 (3.3)             |

| TABLE III: DIMENSIONS (CONTINUED) |  |  |                        |                                    |                          |                           |               |                          |                         |
|-----------------------------------|--|--|------------------------|------------------------------------|--------------------------|---------------------------|---------------|--------------------------|-------------------------|
| SHELL SIZE                        | J<br>+/- .010 (.3)<br>TO THREAD<br>CHAMFER | K<br>+.010 (.3)<br>-.005 (.1)<br>PANEL<br>MOUNTING<br>HOLE | L<br>OVERALL<br>LENGTH | N<br>UNEF-2A<br>MOUNTING<br>THREAD | P                        | S<br>PANEL THICK-<br>NESS |               | V                        | MAX<br>WEIGHT<br>(Lbs.) |
|                                   |  |  |                        |                                    |                          | MIN.                      | MAX.          |                          |                         |
| 8                                 | .368 (9.3)                                 | .572 (14.5)  | 1.38 (35.1)            | .5625-24                           | .134 (3.4)<br>.074 (1.9) | .062<br>(1.6)             | .187<br>(4.8) | .204 (5.2)<br>.144 (3.7) | .0430<br>(1.1)          |
| 10                                | .368 (9.3)                                 | .697 (17.7)  | 1.38 (35.1)            | .6875-24                           | .134 (3.4)<br>.074 (1.9) | .062<br>(1.6)             | .187<br>(4.8) | .204 (5.2)<br>.144 (3.7) | .0610<br>(1.5)          |
| 12                                | .368 (9.3)                                 | .885 (22.5)  | 1.38 (35.1)            | .875-20                            | .134 (3.4)<br>.074 (1.9) | .062<br>(1.6)             | .187<br>(4.8) | .204 (5.2)<br>.144 (3.7) | .0880<br>(2.2)          |
| 14                                | .368 (9.3)                                 | 1.010 (25.7)   | 1.38 (35.1)            | 1.000-20                           | .134 (3.4)<br>.074 (1.9) | .062<br>(1.6)             | .187<br>(4.8) | .204 (5.2)<br>.144 (3.7) | .1100<br>(2.8)          |
| 16                                | .368 (9.3)                                 | 1.135 (28.8)   | 1.38 (35.1)            | 1.125-18                           | .134 (3.4)<br>.074 (1.9) | .062<br>(1.6)             | .187<br>(4.8) | .204 (5.2)<br>.144 (3.7) | .1310<br>(3.3)          |
| 18                                | .368 (9.3)                                 | 1.260 (32.0)   | 1.38 (35.1)            | 1.250-18                           | .134 (3.4)<br>.074 (1.9) | .062<br>(1.6)             | .187<br>(4.8) | .204 (5.2)<br>.144 (3.7) | .1720<br>(4.4)          |
| 20                                | .368 (9.3)                                 | 1.385 (35.2)   | 1.44 (36.6)            | 1.375-18                           | .099 (2.5)<br>.039 (1.0) | .062<br>(1.6)             | .250<br>(6.4) | .169 (4.3)<br>.109 (2.8) | .2110<br>(5.4)          |
| 22                                | .368 (9.3)                                 | 1.510 (38.4)   | 1.44 (36.6)            | 1.500-18                           | .099 (2.5)<br>.039 (1.0) | .062<br>(1.6)             | .250<br>(6.4) | .169 (4.3)<br>.109 (2.8) | .2420<br>(6.1)          |
| 24                                | .395 (10.0)                                | 1.635 (41.5)   | 1.44 (36.6)            | 1.625-18                           | .099 (2.5)<br>.039 (1.0) | .062<br>(1.6)             | .250<br>(6.4) | .169 (4.3)<br>.109 (2.8) | .2930<br>(7.4)          |