

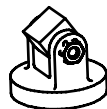
REVISION HISTORY			
REV	AUTH	DATE	DESCRIPTION
A	-	1/18/2008	INITIAL RELEASE



X-SMALL MOUNT

APPLICATIONS:

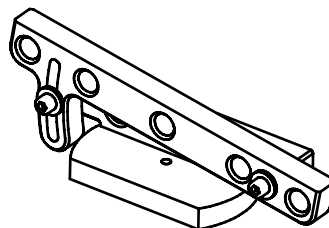
- 75-440-X
- 62-440-X
- 51-440-X
- 42-440-X
- 34-440-X
- 28-440-X
- 28-441-X



SMALL MOUNT

APPLICATIONS:

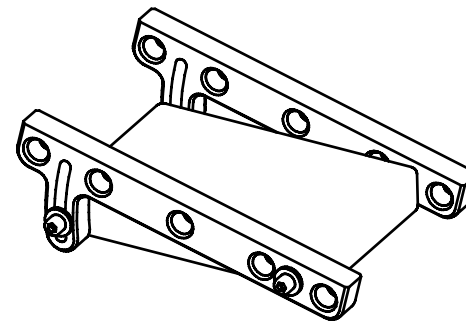
- 650-440-X
- 430-440-X
- 340-440-X
- 340-441-X
- 284-440-X
- 284-441-X
- 229-440-X
- 229-441-X
- 187-440-X
- 187-441-X
- 187-442-X
- 159-440-X
- 159-441-X
- 159-442-X
- 137-440-X
- 137-441-X
- 137-442-X
- 112-440-X
- 112-441-X
- 102-440-X
- 102-441-X
- 102-449-X/17
- 102-442-X
- 90-440-X
- 90-441-X
- 90-442-X
- 75-441-X
- 75-442-X
- 62-441-X
- 62-449-X/17.5
- 62-442-X
- 62-449-X/24
- 51-441-X
- 51-442-X
- 42-441-X
- 42-442-X
- 42-449-X/24
- 34-441-X
- 34-442-X
- 28-442-X
- 28-449-X/24



MEDIUM MOUNT

APPLICATIONS:

- 430-441-X
- 229-442-X
- 112-449-X/24
- 90-449-X/24



LARGE MOUNT

APPLICATIONS:

- 650-441-X
- 430-442-X
- 340-442-X
- 284-442-X

THIRD ANGLE PROJECTION:		APPROVALS	DATE	ADVANCED TECHNICAL MATERIALS, INC. TEL: (631) 289-0363 FAX: (631) 289-0358 www.atmmicrowave.com	<small>THE INFORMATION IN THIS DRAWING IS PROPRIETARY AND SHALL NOT BE USED OR DISCLOSED WITHOUT THE PRIOR WRITTEN CONSENT OF ATM, INC. DO NOT SCALE DWG.</small>	
UNLESS OTHERWISE NOTED, DIMENSIONS ARE IN INCHES, TOLERANCES ARE: FRACTIONS: ±1/64 ANGLES: ±1/2°		DRAWN M.R.			<h2 style="text-align: center;">HORN MOUNT APPLICATIONS</h2>	
BASIC DIMENSION	DECIMALS 2 PLACE 3 PLACE	CHKD.	APRVD.	SIZE		
UNDER 6"	±.02 ±.005			A	0R8N4	7994
6" - 12"	±.03 ±.010					
OVER 12"	±.06 ±.015			MODEL #	XXX-44X-X	REVISION A
						SHEET 1