

# Micro-D Filter Connectors Solder Cup



*Glenair's Filtered Solder Cup Micro-D's* provide EMI solutions in a miniaturized M83513 type connector. These connectors feature ceramic capacitor planar arrays and ferrite inductors. Solder cups accept #26 thru #30 AWG wire, or specify oversize contacts for #24 gage wire.

*Choose Pi or C Filter Arrays* in seven filter classes and six layouts. Glenair filtered Micro-D connectors comply with applicable MIL-DTL-83513 requirements and are 100% intermateable with standard connectors.

*Choose 9 to 37 Contacts*, with standard cadmium or nickel plating on the connector housing or choose optional finishes such as gold or chem film.

## HOW TO ORDER FILTER MICRO-D CONNECTORS WITH SOLDER CUPS

Series	Shell Finish	Number of Contacts	Contact Type	Filter Type	Filter Class	Hardware
240-030	<b>Aluminum Shell</b>	<b>9</b>	<b>Solder Cup Contacts for #24 AWG or Smaller Wire</b>  P – Pin S – Socket	C – C Filter P – Pi Filter	A B C D E F G	B P M M1 S S1 L K F R
	1 – Cadmium 2 – Nickel 4 – Black Anodize 5 – Gold 6 – Chem Film	15 21 25 31 37				
	<b>Stainless Steel Shell</b>					
	3 – Passivated				See "Filter Classes" on Following Page	
<b>Sample Part Number</b>						
240-030	- 2	- 25	P	P	B	B

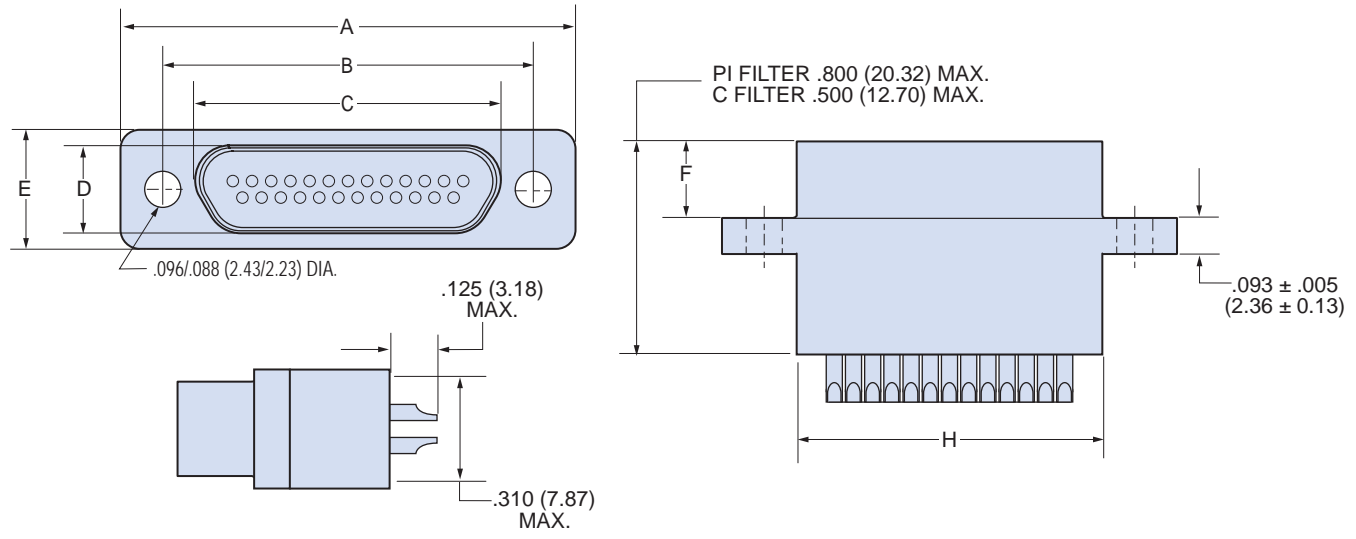
## MICRO-D MOUNTING HARDWARE

B	P	M	M1	S	S1	L	K	F	R
<b>Thru-Hole</b> Order Hardware Separately	<b>Jackpost</b> Removable Includes Nut and Washer	<b>Jackscrew</b> Hex Head Removable E-ring	<b>Jackscrew</b> Hex Head Removable E-ring Extended	<b>Jackscrew</b> Slot Head Removable E-ring	<b>Jackscrew</b> Slot Head Removable E-ring Extended	<b>Jackscrew</b> Hex Head Non-Removable	<b>Jackscrew</b> Slot Head Non-Removable Extended	<b>Float Mount</b> For Front Panel Mounting	<b>Float Mount</b> For Rear Panel Mounting

## MICRO-D FILTER CLASSES AND PERFORMANCE

Filter Class →	A		B		C		D		E		F		G	
<b>Capacitance, Picofarads (pF)</b>														
<b>C Filter</b>	19000-28000		16000-22500		9000-16500		4000-6000		1650-2500		400-650		200-300	
<b>Pi Filter</b>	38000-56000		32000-45000		18000-33000		8000-12000		3300-5000		800-1300		400-600	
<b>Insertion Loss, dB Minimum, 25° C.</b>														
Filter Type →	C		Pi		C		Pi		C		Pi		C	
<b>1 MHz</b>	6	10	5	8	3	5	—	1	—	—	—	—	—	—
<b>10 MHz</b>	24	40	23	35	16	25	8	14	4	8	—	2	—	0.8
<b>100 MHz</b>	41	62	39	60	35	57	28	50	21	40	10	15	5	13
<b>500-1000 MHz</b>	50	66	49	62	46	60	41	58	34	52	23	32	17	22

F



## DIMENSIONS

Layout	A Max.		B		C Max.		D Max.		E Max.		F		H Max.	
	In.	mm.	In. ± .003	mm. ± 0.08	In.	mm.	In.	mm.	In.	mm.	In. ± .004	mm. ± 0.10	In.	mm.
9P	.785	19.94	.565	14.35	.333	8.46	.184	4.67	.310	7.87	.183	4.65	.400	10.16
9S	.785	19.94	.565	14.35	.400	10.16	.250	6.35	.310	7.87	.195	4.95	.400	10.16
15P	.935	23.75	.715	18.16	.483	12.27	.184	4.67	.310	7.87	.183	4.65	.550	13.97
15S	.935	23.75	.715	18.16	.551	14.00	.250	6.35	.310	7.87	.195	4.95	.550	13.97
21P	1.085	27.56	.865	21.97	.633	16.08	.184	4.67	.310	7.87	.183	4.65	.700	17.78
21S	1.085	27.56	.865	21.97	.701	17.81	.250	6.35	.310	7.87	.195	4.95	.700	17.78
25P	1.185	30.01	.965	24.51	.733	18.62	.184	4.67	.310	7.87	.183	4.65	.800	20.32
25S	1.185	30.01	.965	24.51	.801	20.35	.250	6.35	.310	7.87	.195	4.95	.800	20.32
31P	1.335	33.91	1.115	28.32	.883	22.43	.184	4.67	.310	7.87	.183	4.65	.950	24.13
31S	1.335	33.91	1.115	28.32	.951	24.16	.250	6.35	.310	7.87	.195	4.95	.950	24.13
37P	1.485	37.72	1.265	32.13	1.033	26.24	.184	4.67	.310	7.87	.183	4.65	1.100	27.94
37S	1.485	37.72	1.265	32.13	1.101	27.96	.250	6.35	.310	7.87	.195	4.95	1.100	27.94