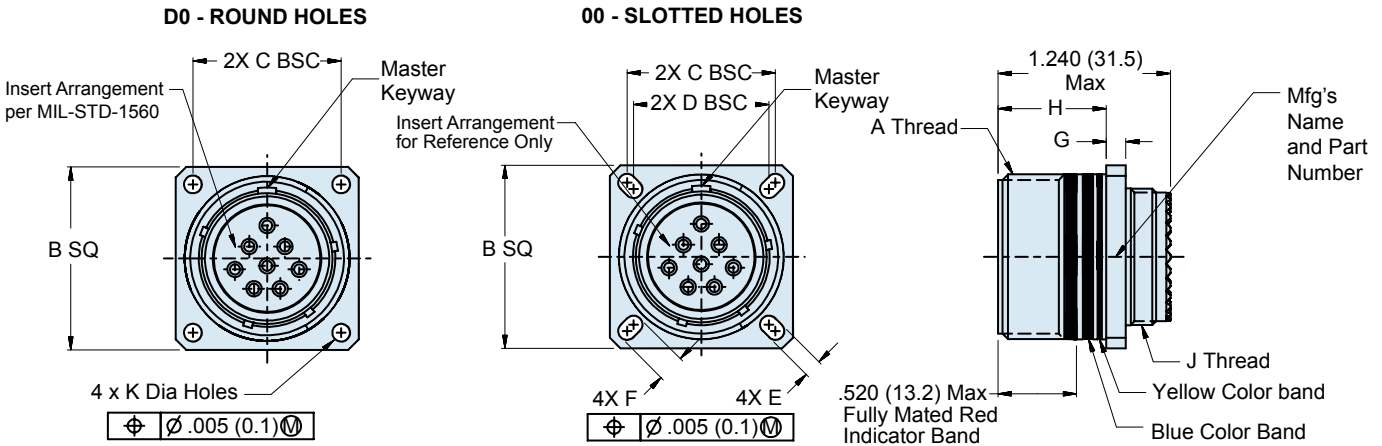
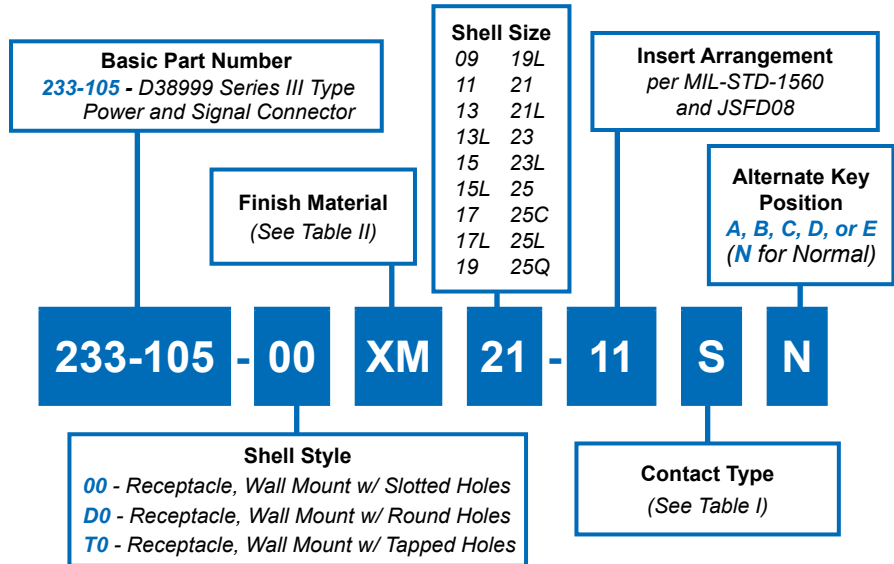




233-105-00, D0 and T0 MIL-DTL-38999 Series III Type Wall Mount Environmental Receptacle Connector

TABLE II: FINISH		
SYM	MATERIAL	FINISH
XM	Composite	Electroless Nickel
XMT	Composite	Ni-PTFE 1000 Hour Grey™
XW	Composite	Cadmium O.D. Over Electroless Nickel



Consult factory for available insert arrangements.
Metric Dimensions in Parenthesis.

TABLE I: CONTACT TYPES				
Ordering Code	Assembly Dash Number	Wire Size	Type	Military Part Number
P	850-002-16-364	#16 - #20	Pin	M39029/58-364
S	850-001-16-352	#16 - #20	Socket	M39029/56-352
A	Less pin contacts			
B	Less socket contacts			

233-105-00, D0 and T0
MIL-DTL-38999 Series III Type
Wall Mount Environmental Receptacle Connector



TABLE III: SHELL SIZE

Shell Size Code	Shell Size	A Thread	B SQ	C BSC	G	H	J Thread	K Holes Dia
A	09	.6250-.1P-.3L-TS-2A	.949 (24.1) .925 (23.5)	.719 (18.3)	.144 (3.7) .083 (2.1)	.823 (20.9) .768 (19.5)	M12 x 1.0-6g 0.100R	.136 (3.5) .120 (3.0)
B	11	.7500-.1P-.3L-TS-2A	1.043 (26.5) 1.019 (25.9)	.812 (20.6)	.144 (3.7) .083 (2.1)	.823 (20.9) .768 (19.5)	M15 x 1.0-6g 0.100R	.136 (3.5) .120 (3.0)
C	13	.8750-.1P-.3L-TS-2A	1.138 (28.9) 1.114 (28.3)	.906 (23.0)	.144 (3.7) .083 (2.1)	.823 (20.9) .768 (19.5)	M18 x 1.0-6g 0.100R	.136 (3.5) .120 (3.0)
D	15	1.0000-.1P-.3L-TS-2A	1.232 (31.3) 1.208 (30.7)	.969 (24.6)	.144 (3.7) .083 (2.1)	.823 (20.9) .768 (19.5)	M22 x 1.0-6g 0.100R	.136 (3.5) .120 (3.0)
E	17	1.1875-.1P-.3L-TS-2A	1.323 (33.6) 1.299 (33.0)	1.062 (27.0)	.144 (3.7) .083 (2.1)	.823 (20.9) .768 (19.5)	M25 x 1.0-6g 0.100R	.136 (3.5) .120 (3.0)
F	19	1.2500-.1P-.3L-TS-2A	1.449 (36.8) 1.425 (36.2)	1.156 (29.4)	.144 (3.7) .083 (2.1)	.823 (20.9) .768 (19.5)	M28 x 1.0-6g 0.100R	.136 (3.5) .120 (3.0)
G	21	1.3750-.1P-.3L-TS-2A	1.575 (40.0) 1.551 (39.4)	1.250 (31.8)	.171 (65.2) .083 (39.8)	.791 (20.0) .736 (18.7)	M31 x 1.0-6g 0.100R	.136 (3.5) .120 (3.0)
H	23	1.5000-.1P-.3L-TS-2A	1.701 (43.2) 1.677 (42.6)	1.375 (34.9)	.171 (65.2) .083 (39.8)	.791 (20.0) .736 (18.7)	M34 x 1.0-6g 0.100R	.162 (4.1) .146 (3.7)
J	25	1.6250-.1P-.3L-TS-2A	1.823 (46.3) 1.799 (45.7)	1.500 (38.1)	.171 (65.2) .083 (39.8)	.791 (20.0) .736 (18.7)	M37 x 1.0-6g 0.100R	.162 (4.1) .146 (3.7)

TABLE IV: PANEL CUTOUTS

Shell Size Code	Shell Size	M Ø Min	N Ø Min	P Ø Holes	R BSC
A	09	.656 (16.7)	.516 (13.1)	.133 (3.4) .123 (3.1)	.719 (18.3)
B	11	.796 (20.2)	.625 (15.9)	.133 (3.4) .123 (3.1)	.812 (20.6)
C	13	.922 (23.4)	.750 (19.1)	.133 (3.4) .123 (3.1)	.906 (23.0)
D	15	1.047 (26.6)	.906 (23.0)	.133 (3.4) .123 (3.1)	.969 (24.6)
E	17	1.219 (31.0)	1.016 (25.8)	.133 (3.4) .123 (3.1)	1.062 (27.0)
F	19	1.297 (32.9)	1.141 (29.0)	.133 (3.4) .123 (3.1)	1.156 (29.4)
G	21	1.422 (36.1)	1.266 (32.2)	.133 (3.4) .123 (3.1)	1.250 (31.8)
H	23	1.547 (39.3)	1.375 (34.9)	.159 (4.0) .149 (3.8)	1.375 (34.9)
J	25	1.672 (42.5)	1.484 (37.7)	.155 (3.9) .145 (3.7)	1.500 (38.1)

