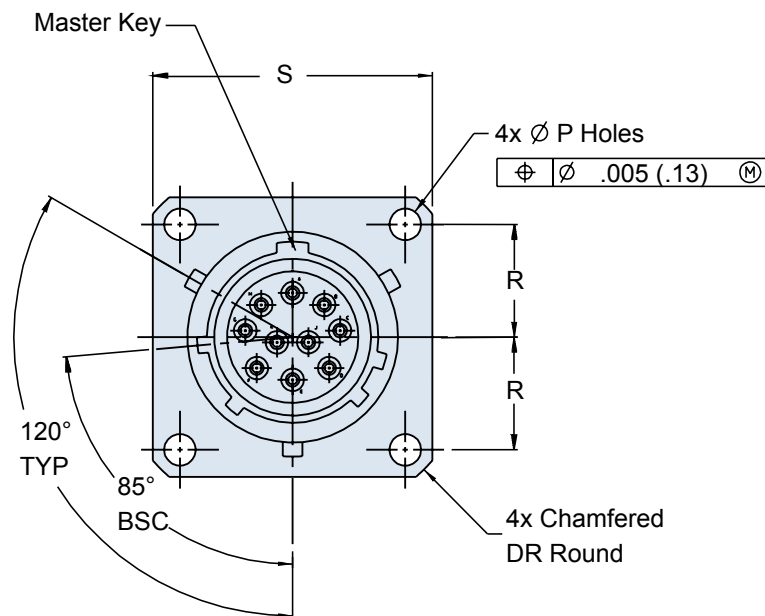
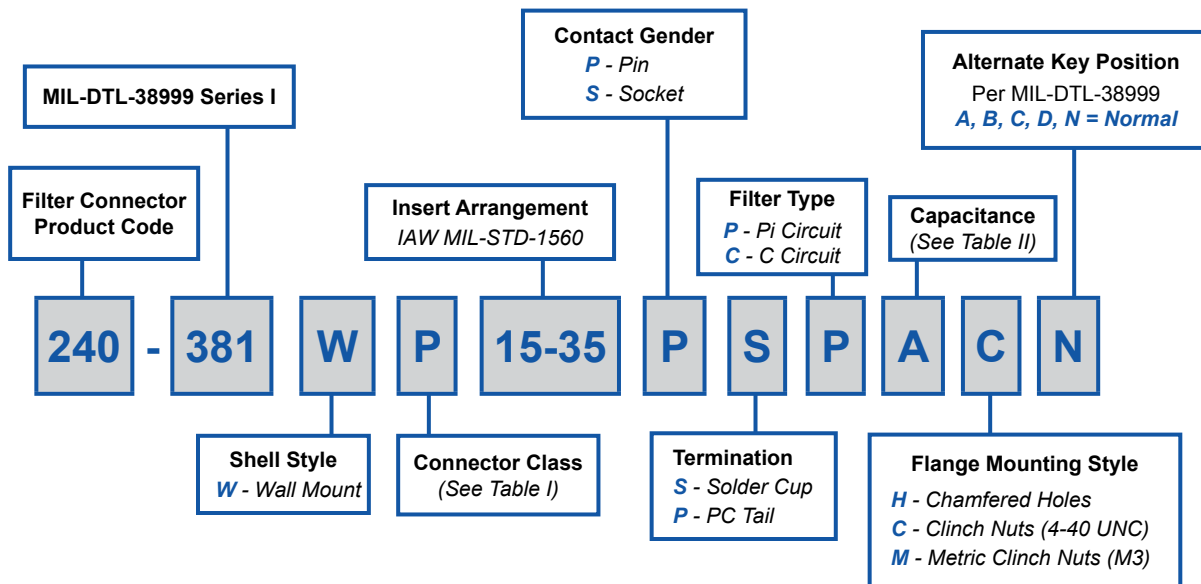


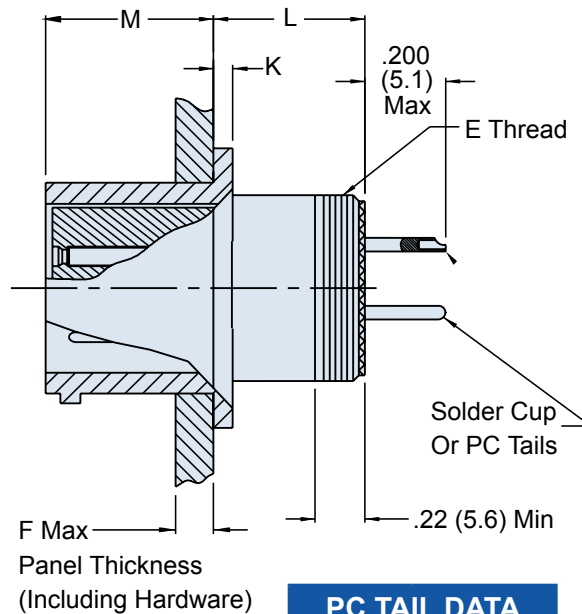


240-381W MIL-DTL-38999 Series I Type Filter Connector Wall Mount Receptacle

B



W - Wall Mount

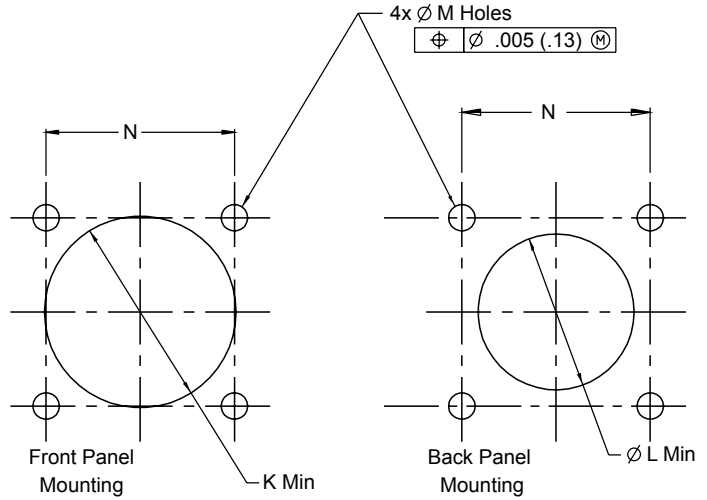


| PC TAIL DATA | |
|--------------|--------------|
| Contact Size | PC Tail Ø |
| 22D | .020 .018 |
| 20 | .024 .029 |
| 16 | .038 .042 |

240-381W MIL-DTL-38999 Series I Type Filter Connector Wall Mount Receptacle



| MIL-DTL-38999 Series I Square Flange Panel Cutouts | | | | | |
|---|------------|--------------|--------------|--------------------------|--------------|
| Shell Size Code | Shell Size | ∅ K Min | ∅ L Min | M Holes | N BSC |
| A | 09 | .656 (16.7) | .516 (13.1) | .133 (3.4) .123 (3.1) | .719 (18.3) |
| B | 11 | .796 (20.2) | .625 (15.9) | .133 (3.4) .123 (3.1) | .812 (20.6) |
| C | 13 | .922 (23.4) | .750 (19.1) | .133 (3.4) .123 (3.1) | .906 (23.0) |
| D | 15 | 1.047 (26.6) | .906 (23.0) | .133 (3.4) .123 (3.1) | .969 (24.6) |
| E | 17 | 1.219 (31.0) | 1.016 (25.8) | .133 (3.4) .123 (3.1) | 1.062 (27.0) |
| F | 19 | 1.297 (32.9) | 1.141 (29.0) | .133 (3.4) .123 (3.1) | 1.156 (29.4) |
| G | 21 | 1.422 (36.1) | 1.266 (32.2) | .133 (3.4) .123 (3.1) | 1.250 (31.8) |
| H | 23 | 1.547 (39.3) | 1.375 (34.9) | .159 (4.0) .149 (3.8) | 1.375 (34.9) |
| J | 25 | 1.672 (42.5) | 1.484 (37.7) | .155 (3.9) .145 (3.7) | 1.500 (38.1) |



| TABLE I: CONNECTOR CLASS | | | |
|--------------------------|---------------|-----------------|--|
| SYM | CLASS | MATERIAL | FINISH DESCRIPTION |
| M | Environmental | Aluminum | Electroless Nickel |
| MT | Environmental | Aluminum | Ni-PTFE 1000 Hour Grey™ Nickel Fluorocarbon Polymer |
| NF | Environmental | Aluminum | Cadmium O.D. Over Electroless Nickel |
| P | Environmental | Stainless Steel | Electro-Deposited Nickel |
| ZN | Environmental | Aluminum | Zinc-Nickel Over Electroless Nickel |

| TABLE II: CAPACITOR ARRAY CODE CAPACITANCE RANGE | | |
|---|-------------------|------------------|
| CLASS | PI - CIRCUIT (pF) | C - CIRCUIT (pF) |
| X* | 160,000 - 240,000 | 80,000 - 120,000 |
| Y* | 80,000 - 120,000 | 40,000 - 60,000 |
| Z* | 60,000 - 90,000 | 30,000 - 45,000 |
| A | 38,000 - 56,000 | 19,000 - 28,000 |
| B | 32,000 - 45,000 | 16,000 - 22,500 |
| C | 18,000 - 33,000 | 9,000 - 16,500 |
| D | 8,000 - 12,000 | 4,000 - 6,000 |
| E | 3,300 - 5,000 | 1,650 - 2,500 |
| F | 800 - 1,300 | 400 - 650 |
| G | 400 - 600 | 200 - 300 |

* Reduced DWV – Please consult factory.

| DIMENSIONS | | | | | | | | |
|------------|-------------------|------------|--------------------------------|-------------|---------------------------------|------------------------------------|--------------|---------------------|
| SHELL SIZE | E THREADS | F MAX | K + .015 (.4) - .000 (0) | L MAX | M + .000 (0) - .005 (.13) | ∅ P + .010 (.3) - .005 (.13) | R BSC | S +/- .020 (5.1) |
| 9 | .6875-24 UNEF-2A | .234 (5.9) | .085 (2.2) | .469 (11.9) | .820 (20.8) | .128 (3.3) | .3595 (9.1) | .938 (23.8) |
| 11 | .8125-20 UNEF-2A | .234 (5.9) | .085 (2.2) | .469 (11.9) | .820 (20.8) | .128 (3.3) | .406 (10.3) | 1.031 (26.2) |
| 13 | .9375-20 UNEF-2A | .234 (5.9) | .085 (2.2) | .469 (11.9) | .820 (20.8) | .128 (3.3) | .453 (11.5) | 1.125 (28.6) |
| 15 | 1.0625-18 UNEF-2A | .234 (5.9) | .085 (2.2) | .469 (11.9) | .820 (20.8) | .128 (3.3) | .4845 (12.3) | 1.219 (31.0) |
| 17 | 1.1875-18 UNEF-2A | .234 (5.9) | .085 (2.2) | .469 (11.9) | .820 (20.8) | .128 (3.3) | .531 (13.5) | 1.312 (33.3) |
| 19 | 1.3125-18 UNEF-2A | .234 (5.9) | .085 (2.2) | .469 (11.9) | .820 (20.8) | .128 (3.3) | .578 (14.7) | 1.438 (36.5) |
| 21 | 1.4375-10 UNEF-2A | .204 (5.2) | .115 (2.9) | .500 (12.7) | .820 (20.8) | .128 (3.3) | .625 (15.9) | 1.562 (39.7) |
| 23 | 1.5625-18 UNEF-2A | .204 (5.2) | .115 (2.9) | .500 (12.7) | .790 (20.1) | .147 (3.7) | .6875 (17.5) | 1.688 (42.9) |
| 25 | 1.6875-18 UNEF-2A | .193 (4.9) | .115 (2.9) | .500 (12.7) | .790 (20.1) | .147 (3.7) | .750 (19.1) | 1.688 (42.9) |