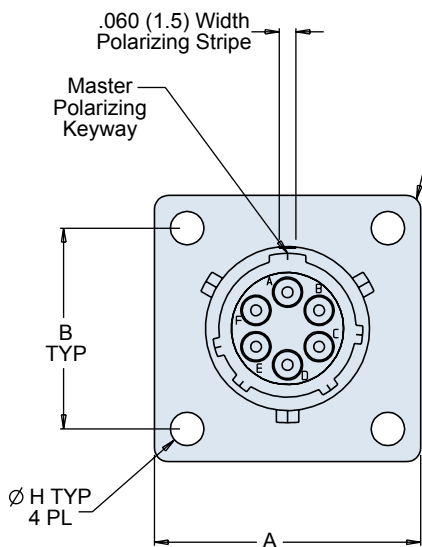
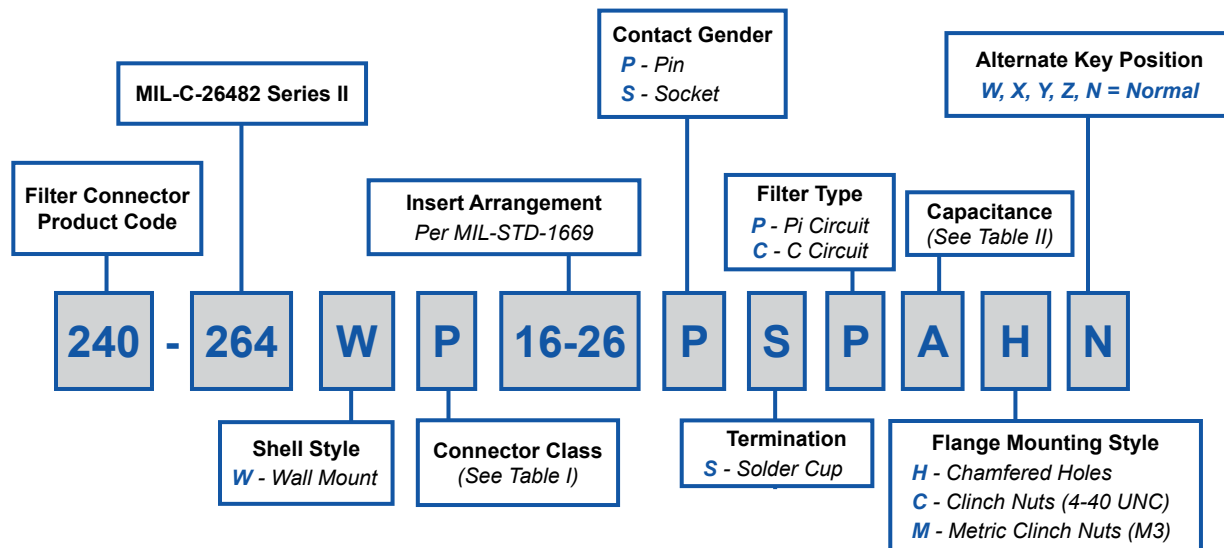
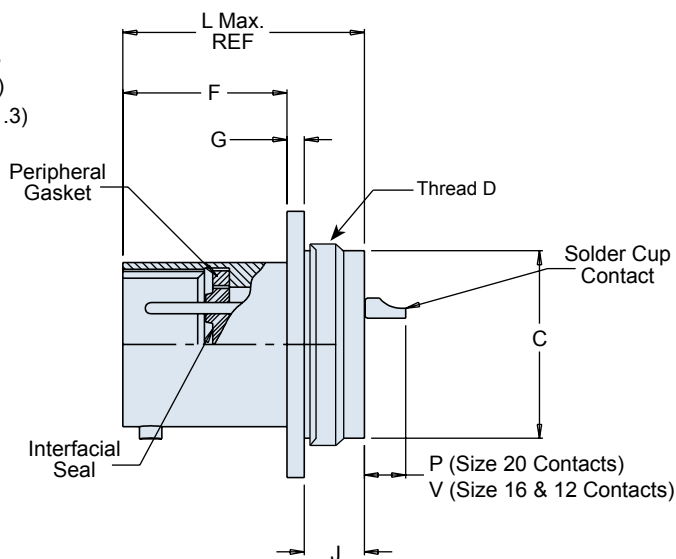


B



Min. Edge Distance
Relative to Mounting Holes
Shell Sizes 8-18 = .035 (.9)
Shell Sizes 20-24 = .050 (1.3)



W - Wall Mount

240-264W
MIL-DTL-26482 Series II Type
Wall Mount Receptacle



TABLE I: CONNECTOR CLASS

| SYM | CLASS | MATERIAL | FINISH DESCRIPTION |
|-----|---------------|-----------------|--------------------------------------------------------|
| M | Environmental | Aluminum | Electroless Nickel |
| MT | Environmental | Aluminum | Ni-PTFE 1000 Hour Grey™ Nickel Fluorocarbon Polymer |
| NF | Environmental | Aluminum | Cadmium O.D. Over Electroless Nickel |
| P | Environmental | Stainless Steel | Electro-Deposited Nickel |
| ZN | Environmental | Aluminum | Zinc-Nickel Over Electroless Nickel |
| H2 | Hermetic | Stainless Steel | Electroless Nickel |

TABLE II: CAPACITOR ARRAY CODE CAPACITANCE RANGE

| CLASS | PI - CIRCUIT (pF) | C - CIRCUIT (pF) |
|-------|-------------------|------------------|
| X* | 160,000 - 240,000 | 80,000 - 120,000 |
| Y* | 80,000 - 120,000 | 40,000 - 60,000 |
| Z* | 60,000 - 90,000 | 30,000 - 45,000 |
| A | 38,000 - 56,000 | 19,000 - 28,000 |
| B | 32,000 - 45,000 | 16,000 - 22,500 |
| C | 18,000 - 33,000 | 9,000 - 16,500 |
| D | 8,000 - 12,000 | 4,000 - 6,000 |
| E | 3,300 - 5,000 | 1,650 - 2,500 |
| F | 800 - 1,300 | 400 - 650 |
| G | 400 - 600 | 200 - 300 |

* Reduced DWV – Please consult factory.

TABLE III: DIMENSIONS

| SHELL SIZE | A | B | C ∅ MOUNTING LOCATOR | D THREAD (CLASS 2) | F | G | H | J | L (Max) | P | V | PANEL CUT-OUT ∅ | MAX. WEIGHT (Lbs.) |
|------------|--------------|--------------|------------------------------|-----------------------|----------------------------|--------------------------|------------|--------------------------|-------------|--------------------------|--------------------------|-----------------|--------------------|
| 8 | .828 (21.0) | .594 (15.1) | .563 (14.3) .557 (14.1) | .500-20 UNF | .431 (10.9) .462 (11.7) | .078 (2.0) .046 (1.2) | .120 (3.0) | .125 (3.2) .105 (2.7) | 1.38 (35.1) | .178 (4.5) .188 (4.8) | .248 (6.3) .188 (4.8) | .570 (14.5) | .038 |
| 10 | .954 (24.2) | .719 (18.3) | .673 (17.1) .667 (16.9) | .625-24 UNEF | | .078 (2.0) .046 (1.2) | .120 (3.0) | .125 (3.2) .105 (2.7) | 1.38 (35.1) | .178 (4.5) .188 (4.8) | .248 (6.3) .188 (4.8) | .680 (17.3) | .044 |
| 12 | 1.047 (26.6) | .812 (20.6) | .782 (19.9) .776 (19.7) | .750-20 UNEF | | .078 (2.0) .046 (1.2) | .120 (3.0) | .125 (3.2) .105 (2.7) | 1.38 (35.1) | .178 (4.5) .188 (4.8) | .248 (6.3) .188 (4.8) | .789 (20.0) | .052 |
| 14 | 1.141 (29.0) | .906 (23.0) | .907 (23.0) .901 (22.9) | .875-20 UNEF | | .078 (2.0) .046 (1.2) | .120 (3.0) | .125 (3.2) .105 (2.7) | 1.38 (35.1) | .178 (4.5) .188 (4.8) | .248 (6.3) .188 (4.8) | .914 (23.2) | .070 |
| 16 | 1.234 (31.3) | .969 (24.6) | 1.032 (26.2) 1.026 (26.1) | 1.000-20 UNEF | | .078 (2.0) .046 (1.2) | .120 (3.0) | .125 (3.2) .105 (2.7) | 1.38 (35.1) | .178 (4.5) .188 (4.8) | .248 (6.3) .188 (4.8) | 1.039 (6.4) | .085 |
| 18 | 1.328 (33.7) | 1.062 (27.0) | 1.157 (29.4) 1.151 (29.2) | 1.0625-18 UNEF | | .078 (2.0) .046 (1.2) | .120 (3.0) | .125 (3.2) .105 (2.7) | 1.38 (35.1) | .178 (4.5) .188 (4.8) | .248 (6.3) .188 (4.8) | 1.164 (29.6) | .098 |
| 20 | 1.453 (36.9) | 1.156 (29.4) | 1.251 (31.8) 1.245 (31.6) | 1.1875-18 UNEF | .556 (14.1) .587 (14.9) | .110 (2.8) .078 (2.0) | .120 (3.0) | .093 (2.4) .073 (1.9) | 1.44 (36.6) | .178 (4.5) .188 (4.8) | .248 (6.3) .188 (4.8) | 1.258 (32.0) | .110 |
| 22 | 1.578 (40.1) | 1.250 (31.8) | 1.376 (35.0) 1.371 (34.8) | 1.3125-18 UNEF | | .110 (2.8) .078 (2.0) | .120 (3.0) | .093 (2.4) .073 (1.9) | 1.44 (36.6) | .178 (4.5) .188 (4.8) | .216 (5.5) .156 (4.0) | 1.383 (35.1) | .150 |
| 24 | 1.703 (43.3) | 1.375 (34.9) | 1.501 (38.1) 1.495 (38.0) | 1.4375-18 UNEF | .589 (15.0) .620 (15.7) | .110 (2.8) .078 (2.0) | .147 (3.7) | .093 (2.4) .073 (1.9) | 1.44 (36.6) | .178 (4.5) .188 (4.8) | .216 (5.5) .156 (4.0) | 1.508 (38.3) | .280 |