

LRP

+105°C Screw Terminal Aluminum Electrolytic Capacitors



For filtering and extended life applications

FEATURES

- High ripple current
- High reliability
- Capacitance range: 1,000 μ F to 150,000 μ F
- Voltage range: 10 WVDC to 250 WVDC
- Extended Life

SPECIFICATIONS

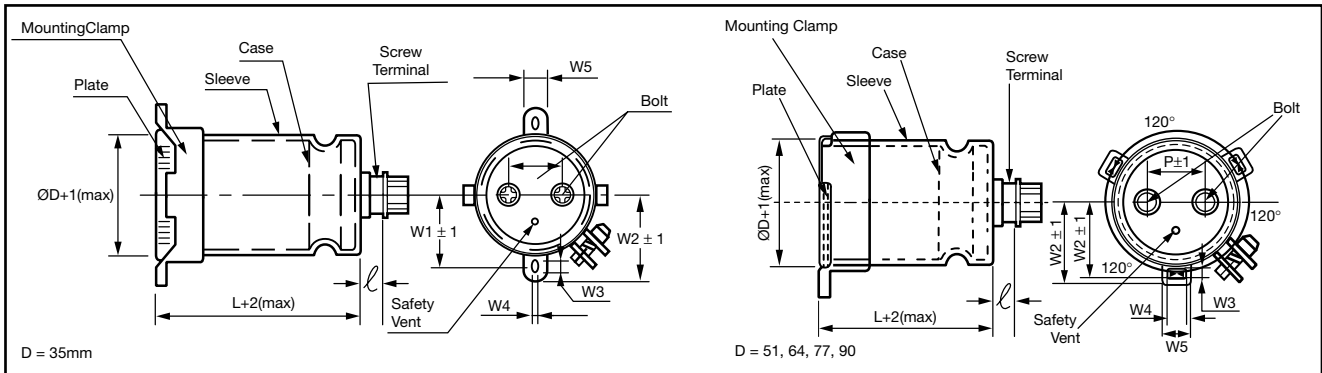
Capacitance Tolerance		$\pm 20\%$ at 120 Hz, 20°C										
Operating Temperature Range		-40°C to +105°C(10V to 100V), -25°C to +105°C(160V to 250V)										
Dissipation Factor 120Hz, 20°C	WVDC		10	16	25	35	50	63	100	160	200	250
	tan δ	D=35	0.8	0.7	0.45	0.4	0.3	0.25	0.2	0.2	0.2	0.2
		D=51	1.0	0.9	0.6	0.5	0.4	0.35	0.2	0.2	0.2	0.2
Leakage Current	WVDC	≤ 250 WVDC										
	Time	5 minutes										
		.02CV or 5,000 μ A whichever is less										
Load Life	2,000 hours at +105°C with rated WVDC Capacitors will meet the requirements listed below.											
		Capacitance change Dissipation factor Leakage current					$\leq 20\%$ of initial measured value $\leq 200\%$ of initial specified value $\leq 100\%$ of specified value					
Shelf life		1,000 hours at + 105°C with no voltage applied. Units will meet load life specifications										
Ripple Current Multipliers	WVDC	Frequency (Hz)					Temperature (°C)					
		60	120	1K	10k	100k	+45	+65	+85	+105		
	10 to 35V	0.9	1.0	1.05	1.1	1.1	2.4	2.1	1.6	1.0		
	50 to 100V	0.9	1.0	1.1	1.15	1.15	2.4	2.1	1.6	1.0		
160 to 250V	0.8	1.0	1.2	1.3	1.35	2.4	2.1	1.6	1.0			

PHYSICAL DIMENSIONS

WVDC (SV) µF	10 (13)	16 (20)	25 (32)	35 (44)	50 (63)	63 (79)	80 (100)	100 (125)	160 (200)	200 (250)	250 (300)
1000									35x50	35x60	35x70
1500									35x60	35x70	35x90
2200								35x60	35x70	35x90	51x70
3300								35x60	35x90	51x80	51x90
4700								35x70	51x80	51x90	
5600								35x90	51x90		
6800						35x70		51x70			
8200					35x60	35x80		51x80			
10000					35x70	35x90		51x90			
15000				35x60	35x80	51x70		51x90			
18000					51x70						
22000		35x50	35x60	35x80	51x70	51x90					
27000							51x90				
33000	35x50	35x60	35x80	51x70	51x90						
40000					51x90						
47000	35x60	35x80	35x90	51x80							
56000	35x70	35x90	51x70	51x90							
68000	35x80	51x70	51x90								
100000	51x70	51x90									
150000	51x90										

Convert to inches, divide by 25.4.

DxL(mm)



ØD	W1	W2	W3	W4	W5	P	ℓ	Bolt
35	24.0	30.0	7.0	3.5	10.0	12.7	6.5	M5
51	32.5	37.5	4.5	7.0	13.0	21.8	6.5	M5

STANDARD PART LISTING

Capacitance (μF)	WVDC	ic PART NUMBER	Maximum ESR $\text{m}\Omega$ 120Hz,+20°C	Maximum RMS Ripple Current (A) 120Hz,+105°C	Dimensions DxL (mm)
1,000	160	102LRP160M	331.573	1.41	35x50
1,000	200	102LRP200M	331.573	1.64	35x60
1,000	250	102LRP250M	331.573	1.91	35x70
1,500	160	152LRP160M	221.049	1.87	35x60
1,500	200	152LRP200M	221.049	2.15	35x70
1,500	250	152LRP250M	221.049	2.48	35x90
2,200	100	222LRP100M	113.036	1.78	35x60
2,200	160	222LRP160M	150.715	2.28	35x70
2,200	200	222LRP200M	150.715	2.71	35x90
2,200	250	222LRP250M	150.715	2.76	51x70
3,300	100	332LRP100M	75.357	1.97	35x60
3,300	160	332LRP160M	100.477	2.95	35x90
3,300	200	332LRP200M	100.477	3.13	51x80
3,300	250	332LRP250M	100.477	3.51	51x90
4,700	100	472LRP100M	52.911	2.42	35x70
4,700	160	472LRP160M	70.547	3.44	51x80
4,700	200	472LRP200M	70.547	3.62	51x90
5,600	100	562LRP100M	44.407	2.78	35x90
5,600	160	562LRP160M	59.209	3.96	51x90
6,800	63	682LRP063M	60.951	2.31	35x70
6,800	100	682LRP100M	48.761	2.9	51x70
8,200	50	822LRP050M	60.654	2.22	35x60
8,200	63	822LRP063M	50.545	2.52	35x80
8,200	100	822LRP100M	40.436	3.37	51x80
10,000	50	103LRP050M	49.736	2.43	35x70
10,000	63	103LRP063M	41.447	2.88	35x90
10,000	100	103LRP100M	33.157	3.92	51x90
15,000	35	153LRP035M	44.210	2.32	35x60
15,000	50	153LRP050M	33.157	3.05	35x80

Capacitance (μF)	WVDC	ic PART NUMBER	Maximum ESR $\text{m}\Omega$ 120Hz,+20°C	Maximum RMS Ripple Current (A) 120Hz,+105°C	Dimensions DxL (mm)
15,000	63	153LRP063M	38.683	3.26	51x70
15,000	100	153LRP100M	22.105	4.08	51x90
18,000	50	183LRP050M	36.841	3.37	51x70
22,000	16	223LRP016M	52.750	2.13	35x50
22,000	25	223LRP025M	33.911	2.66	35x60
22,000	35	223LRP035M	30.143	3.2	35x80
22,000	50	223LRP050M	30.143	3.61	51x70
22,000	63	223LRP063M	26.375	4.4	51x90
27,000	80	273LRP080M	15.351	9.08	51x90
33,000	10	333LRP010M	40.191	2.26	35x50
33,000	16	333LRP016M	35.167	2.82	35x60
33,000	25	333LRP025M	22.607	3.7	35x80
33,000	35	333LRP035M	25.119	3.95	51x70
33,000	50	333LRP050M	20.095	4.42	51x90
40,000	50	403LRP050M	16.579	5.42	51x90
47,000	10	473LRP010M	28.219	2.91	35x60
47,000	16	473LRP016M	24.692	3.82	35x80
47,000	25	473LRP025M	15.873	4.65	35x90
47,000	35	473LRP035M	17.637	4.99	51x80
56,000	10	563LRP010M	23.684	3.4	35x70
56,000	16	563LRP016M	20.723	4.4	35x90
56,000	25	563LRP025M	17.763	4.7	51x70
56,000	35	563LRP035M	14.802	5.73	51x90
68,000	10	683LRP010M	19.504	3.98	35x80
68,000	16	683LRP016M	21.942	4.38	51x70
68,000	25	683LRP025M	14.628	5.77	51x90
100,000	10	104LRP010M	16.579	4.75	51x70
100,000	16	104LRP016M	14.921	5.92	51x90
150,000	10	154LRP010M	11.052	6.48	51x90