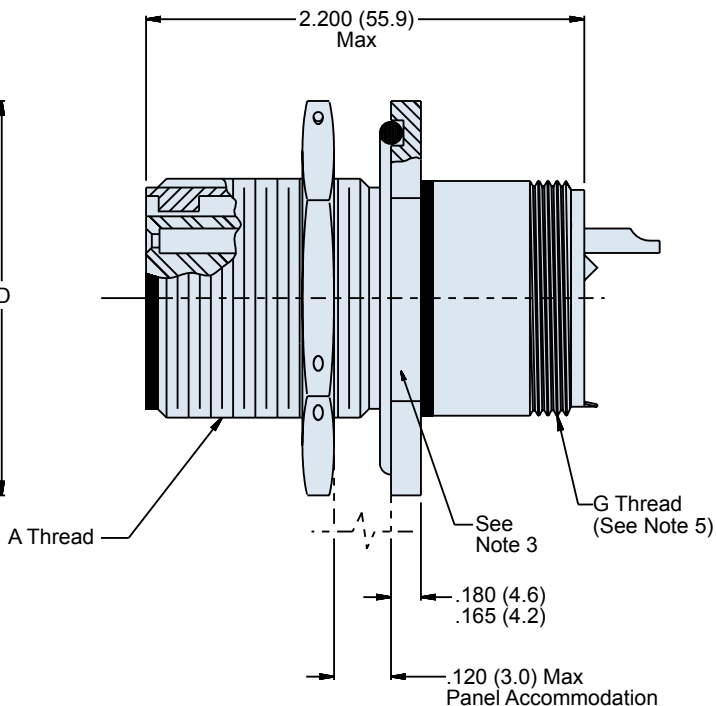
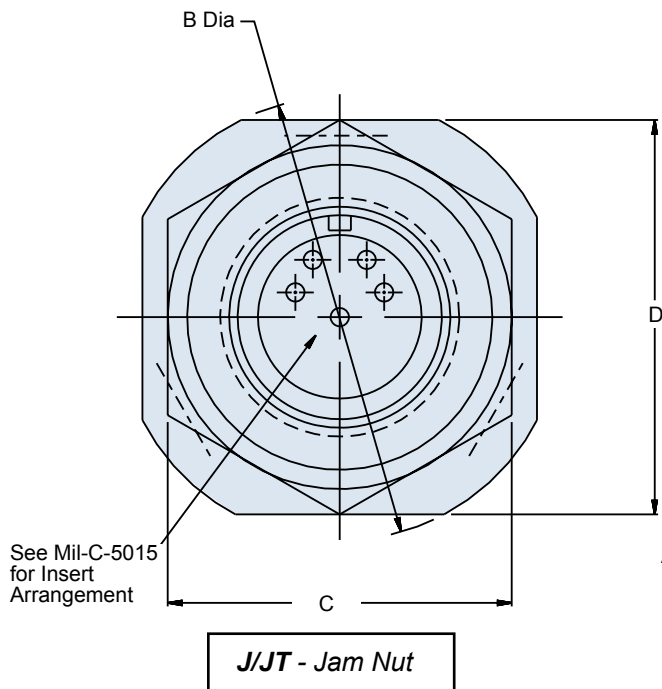
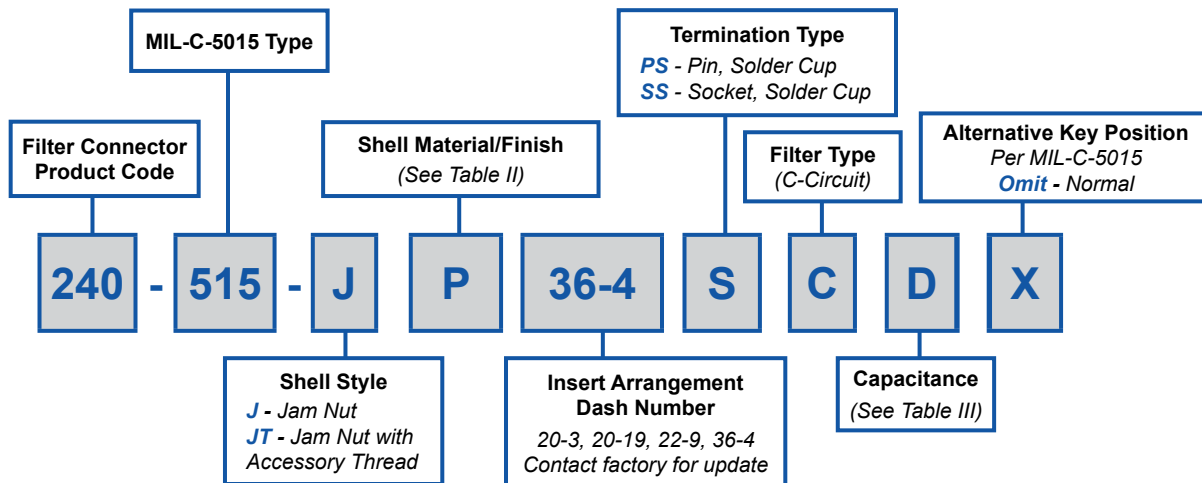




240-515-J Jam Nut Mount Filtered Receptacle Connector (5015 Type)



APPLICATION NOTES

- Materials/Finishes:
Shells - See Table II
Insulators - High grade thermoplastic/N.A.
Seals - Fluorosilicone/N.A.
Contacts - Copper Alloy/Gold Plated
- EMI Circular Filter Connector designed to meet MIL-DTL-5015
- Assembly to be identified with date code, cage code, Glenair P/N, and serial number
- Electrical Performance:
A - Capacitance - See Table III
B - I.R. 5000 Megohms min at 200 VDC
C - D.W.V. 500 VDC with 100 micro amps max leakage
- Shell style JT shown
- Metric dimensions (mm) are indicated in parentheses

240-515-J Jam Nut Mount Filtered Receptacle Connector (5015 Type)



5015 Power Connectors

TABLE I: DIMENSIONS

| Shell Size | A Thread Class 2A | B Dia ±.005 (0.13) | C ±.010 (0.25) | D ±.005 (0.13) | E Dia +.015 (0.38) -.000 (0) | F ±.005 (0.13) | G Thread Class 2A |
|------------|-------------------|--------------------|----------------|----------------|------------------------------|----------------|-------------------|
| 14S | .875 - 20 UNEF | 1.647 (41.8) | 1.125 (28.6) | 1.562 (39.7) | .880 (22.4) | .720 (18.3) | 7/8-20 UNEF |
| 16S | 1.000 - 20 UNEF | 1.772 (45.0) | 1.250 (31.8) | 1.687 (42.8) | 1.005 (25.5) | .720 (18.3) | 1-20 UNEF |
| 18 | 1.125 - 18 UNEF | 1.817 (46.2) | 1.375 (34.9) | 1.812 (46.0) | 1.130 (28.7) | .970 (24.6) | 1 1/16-18 UNEF |
| 20 | 1.250 - 18 UNEF | 2.022 (51.4) | 1.500 (38.1) | 1.937 (49.2) | 1.255 (31.9) | .970 (24.6) | 1 3/16-18 UNEF |
| 22 | 1.375 - 18 UNEF | 2.241 (56.9) | 1.625 (41.3) | 2.156 (54.8) | 1.380 (35.1) | .970 (24.6) | 1 5/16-18 UNEF |
| 24 | 1.500 - 18 UNEF | 2.356 (59.8) | 1.750 (44.5) | 2.281 (57.9) | 1.505 (38.2) | .970 (24.6) | 1 7/16-18 UNEF |
| 32 | 2.000 - 18 UNS | 2.856 (72.5) | 2.375 (60.3) | 2.781 (70.6) | 2.005 (50.9) | .970 (24.6) | 2-18 UNS |
| 36 | 2.250 - 16 UN | 2.118 (53.8) | 2.875 (73.0) | 3.031 (77.0) | 2.255 (57.3) | .970 (24.6) | 2 1/4-16 UN |
| 40 | 2.500 - 16 UN | 3.368 (85.5) | 2.875 (73.0) | 3.281 (83.3) | 2.503 (63.6) | .970 (24.6) | 1 1/2-16 UN |

TABLE III: CAPACITOR ARRAY CODE AND CAPACITANCE RANGE

| CLASS | C - SECTION (pF) |
|-------|------------------|
| X | 80,000 - 120,000 |
| Y | 40,000 - 60,000 |
| Z | 30,000 - 45,000 |
| A | 19,000 - 28,000 |
| B | 16,000 - 22,500 |
| C | 9,000 - 16,500 |

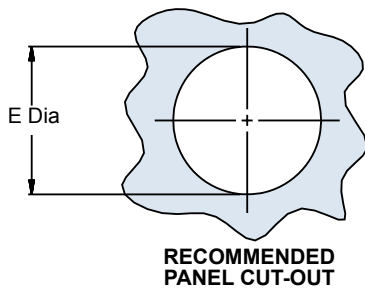
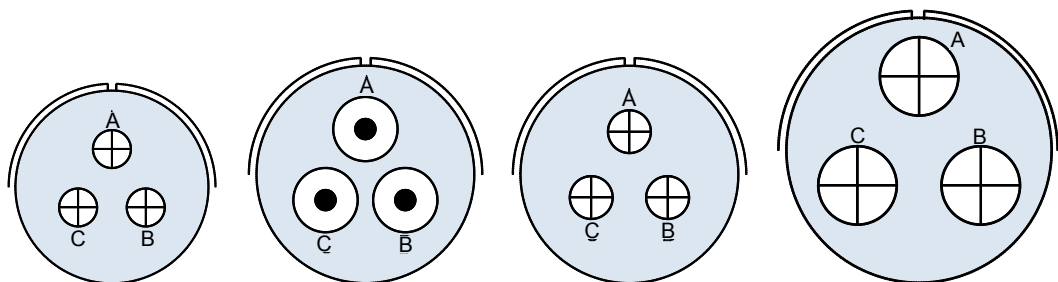


TABLE II: SHELL MATERIAL/FINISH

| Symbol | Material | Finish Description |
|--------|-----------------|--|
| M | Aluminum | Electroless Nickel |
| NF | | Cadmium Olive Drab Over Electroless Nickel |
| P | Stainless Steel | Electro-Deposited Nickel |

Example Contact Arrangements



| | | | | |
|----------------|------|-------|------|------------|
| Arrangement | 20-3 | 20-19 | 22-9 | 36-4 |
| Contact Size | 12 | 8 | 12 | 0 |
| Service Rating | D | A | E | A=D; B,C=A |



F